

# Sprockets





# Metric sprockets

Simplex  
Pilot bore



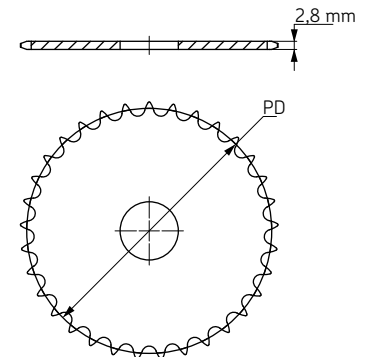
## ISO 05B-1 8 mm Pitch

### Pilot bore Type B – Steel/Cast

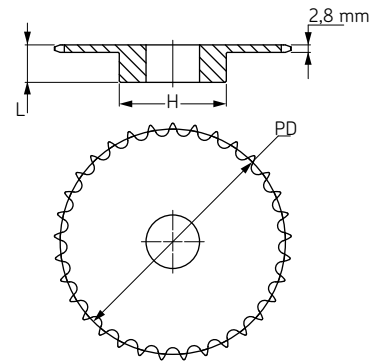
### Type A – Steel

No. Teeth	Pitch Diameter	Type	Bore		Hub		Weight	Designation	No. Teeth	Pitch Diameter	Type	Bore		Weight	Designation
			Min	Max	H	L						Stock			
	mm		mm	mm	mm	mm	kg		mm		mm	kg			
8	20,90	B	6	6	13	12	0,02	PHS 05B-1B8	8	20,90	A	6	0,01	PHS 05B-1A8	
9	23,39	B	6	6	15	12	0,02	PHS 05B-1B9	9	23,39	A	6	0,01	PHS 05B-1A9	
10	25,89	B	8	8	17	12	0,02	PHS 05B-1B10	10	25,89	A	8	0,01	PHS 05B-1A10	
11	28,39	B	8	8	18	13	0,03	PHS 05B-1B11	11	28,39	A	8	0,01	PHS 05B-1A11	
12	30,91	B	8	8	20	13	0,03	PHS 05B-1B12	12	30,91	A	8	0,01	PHS 05B-1A12	
13	33,42	B	8	8	23	13	0,05	PHS 05B-1B13	13	33,42	A	8	0,01	PHS 05B-1A13	
14	35,95	B	8	10	25	13	0,05	PHS 05B-1B14	14	35,95	A	8	0,02	PHS 05B-1A14	
15	38,48	B	8	12	28	13	0,07	PHS 05B-1B15	15	38,48	A	8	0,02	PHS 05B-1A15	
16	41,01	B	8	14	30	14	0,08	PHS 05B-1B16	16	41,01	A	8	0,02	PHS 05B-1A16	
17	43,53	B	8	14	30	14	0,09	PHS 05B-1B17	17	43,53	A	8	0,03	PHS 05B-1A17	
18	46,07	B	8	14	30	14	0,09	PHS 05B-1B18	18	46,07	A	8	0,03	PHS 05B-1A18	
19	48,61	B	8	14	30	14	0,10	PHS 05B-1B19	19	48,61	A	8	0,03	PHS 05B-1A19	
20	51,14	B	8	14	30	14	0,10	PHS 05B-1B20	20	51,14	A	8	0,04	PHS 05B-1A20	
21	53,67	B	8	19	35	14	0,13	PHS 05B-1B21	21	53,67	A	8	0,04	PHS 05B-1A21	
22	56,21	B	8	19	35	14	0,13	PHS 05B-1B22	22	56,21	A	8	0,05	PHS 05B-1A22	
23	58,75	B	8	19	35	14	0,13	PHS 05B-1B23	23	58,75	A	8	0,05	PHS 05B-1A23	
24	61,29	B	8	19	35	14	0,15	PHS 05B-1B24	24	61,29	A	8	0,06	PHS 05B-1A24	
25	63,83	B	8	19	35	14	0,15	PHS 05B-1B25	25	63,83	A	8	0,06	PHS 05B-1A25	
26	66,37	B	10	23	40	16	0,17	PHS 05B-1B26	26	66,37	A	10	0,07	PHS 05B-1A26	
27	68,91	B	10	23	40	16	0,19	PHS 05B-1B27	27	68,91	A	10	0,07	PHS 05B-1A27	
28	71,45	B	10	23	40	16	0,20	PHS 05B-1B28	28	71,45	A	10	0,08	PHS 05B-1A28	
29	73,99	B	10	23	40	16	0,21	PHS 05B-1B29	29	73,99	A	10	0,08	PHS 05B-1A29	
30	76,53	B	10	23	40	16	0,22	PHS 05B-1B30	30	76,53	A	10	0,09	PHS 05B-1A30	
31	79,08	B	10	23	40	16	0,23	PHS 05B-1B31	31	79,08	A	10	0,10	PHS 05B-1A31	
32	81,61	B	10	23	40	16	0,23	PHS 05B-1B32	32	81,61	A	10	0,11	PHS 05B-1A32	
33	84,16	B	10	23	40	16	0,24	PHS 05B-1B33	33	84,16	A	10	0,12	PHS 05B-1A33	
34	86,70	B	10	23	40	16	0,25	PHS 05B-1B34	34	86,70	A	10	0,12	PHS 05B-1A34	
35	89,24	B	10	23	40	16	0,25	PHS 05B-1B35	35	89,24	A	10	0,12	PHS 05B-1A35	
36	91,79	B	10	23	40	16	0,26	PHS 05B-1B36	36	91,79	A	10	0,13	PHS 05B-1A36	
37	94,33	B	10	23	40	16	0,26	PHS 05B-1B37	37	94,33	A	10	0,14	PHS 05B-1A37	
38	96,88	B	10	23	40	16	0,27	PHS 05B-1B38	38	96,88	A	10	0,15	PHS 05B-1A38	
39	99,42	B	10	23	40	16	0,28	PHS 05B-1B39	39	99,42	A	10	0,16	PHS 05B-1A39	
40	101,97	B	10	23	40	16	0,28	PHS 05B-1B40	40	101,97	A	10	0,16	PHS 05B-1A40	
41	104,51	B	10	23	60	20	0,29	PHS 05B-1B41	41	104,51	A	12	0,17	PHS 05B-1A41	
42	107,05	B	10	23	60	20	0,30	PHS 05B-1B42	42	107,05	A	12	0,18	PHS 05B-1A42	
43	109,60	B	10	23	60	20	0,30	PHS 05B-1B43	43	109,60	A	12	0,19	PHS 05B-1A43	
44	112,14	B	10	23	60	20	0,31	PHS 05B-1B44	44	112,14	A	12	0,20	PHS 05B-1A44	
45	114,69	B	12	40	60	20	0,31	PHS 05B-1B45	45	114,69	A	12	0,21	PHS 05B-1A45	
46	117,23	B	12	40	60	20	0,32	PHS 05B-1B46	46	117,23	A	12	0,21	PHS 05B-1A46	
47	119,77	B	12	40	60	20	0,33	PHS 05B-1B47	47	119,77	A	12	0,32	PHS 05B-1A47	
48	122,32	B	12	40	60	20	0,33	PHS 05B-1B48	48	122,32	A	12	0,34	PHS 05B-1A48	
54	137,59	B	12	40	80	20	0,37	PHS 05B-1B54	54	137,59	A	14	0,67	PHS 05B-1A54	
57	145,22	B	14	55	80	20	0,39	PHS 05B-1B57	57	145,22	A	14	1,47	PHS 05B-1A57	
60	152,85	B	14	55	80	34	0,41	PHS 05B-1B60	60	152,85	A	14	1,53	PHS 05B-1A60	
64	163,04	B	14	55	80	34	0,43	PHS 05B-1B64	64	163,04	A	16	1,62	PHS 05B-1A64	
70	178,31	B	14	55	80	34	0,47	PHS 05B-1B70	70	178,31	A	16	1,74	PHS 05B-1A70	
72	183,41	B	14	55	80	34	0,48	PHS 05B-1B72	72	183,41	A	20	1,79	PHS 05B-1A72	
76	193,59	B	20	55	80	34	0,51	PHS 05B-1B76	76	193,59	A	20	1,87	PHS 05B-1A76	
80	203,77	B	20	55	80	34	0,53	PHS 05B-1B80	80	203,77	A	20	1,95	PHS 05B-1A80	
84	213,95	B	20	55	80	34	0,56	PHS 05B-1B84	84	213,95	A	20	2,04	PHS 05B-1A84	
90	229,23	B	20	55	80	34	0,60	PHS 05B-1B90	90	229,23	A	20	2,16	PHS 05B-1A90	
95	241,96	B	20	55	80	34	0,63	PHS 05B-1B95	95	241,96	A	20	2,27	PHS 05B-1A95	
96	244,50	B	20	55	80	34	0,63	PHS 05B-1B96	96	244,50	A	20	2,29	PHS 05B-1A96	
114	290,33	B	20	55	88	39	0,75	PHS 05B-1B114	114	290,33	A	20	2,67	PHS 05B-1A114	

Type A



Type B



Maximum bores can accommodate standard keyways. Larger bores are available where a shallow keyway is used or no keyway is required.





# Metric sprockets

Simplex  
Pilot bore



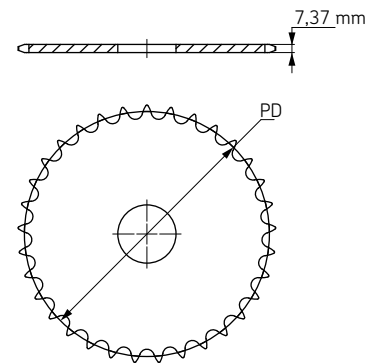
## ISO 08B-1 12,70 mm Pitch

### Pilot bore Type B – Steel/Cast

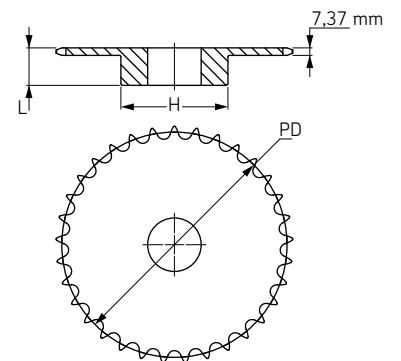
### Type A – Steel

No. Teeth	Pitch Diameter	Type	Bore		Hub		Weight	Designation	No. Teeth	Pitch Diameter	Type	Bore		Weight	Designation
			Min	Max	H	L						Stock			
	mm		mm	mm	mm	mm	kg		mm			mm	kg		
8	33,18	B	10	10	20	25	0,06	PHS 08B-1B8	8	33,18	A	8	0,03	PHS 08B-1A8	
9	37,13	B	10	10	24	25	0,09	PHS 08B-1B9	9	37,13	A	8	0,04	PHS 08B-1A9	
10	41,10	B	10	11	26	25	0,12	PHS 08B-1B10	10	41,10	A	8	0,06	PHS 08B-1A10	
11	45,07	B	10	13	29	25	0,15	PHS 08B-1B11	11	45,07	A	10	0,07	PHS 08B-1A11	
12	49,07	B	10	17	33	28	0,21	PHS 08B-1B12	12	49,07	A	10	0,09	PHS 08B-1A12	
13	53,06	B	10	20	37	28	0,27	PHS 08B-1B13	13	53,06	A	10	0,10	PHS 08B-1A13	
14	57,07	B	10	24	41	28	0,33	PHS 08B-1B14	14	57,07	A	10	0,12	PHS 08B-1A14	
15	61,09	B	10	28	45	28	0,39	PHS 08B-1B15	15	61,09	A	10	0,13	PHS 08B-1A15	
16	65,10	B	12	30	50	28	0,46	PHS 08B-1B16	16	65,10	A	10	0,16	PHS 08B-1A16	
17	69,11	B	12	30	52	28	0,51	PHS 08B-1B17	17	69,11	A	10	0,18	PHS 08B-1A17	
18	73,14	B	12	35	56	28	0,59	PHS 08B-1B18	18	73,14	A	10	0,20	PHS 08B-1A18	
19	77,16	B	12	40	60	28	0,67	PHS 08B-1B19	19	77,16	A	10	0,23	PHS 08B-1A19	
20	81,19	B	12	40	64	28	0,77	PHS 08B-1B20	20	81,19	A	10	0,25	PHS 08B-1A20	
21	85,22	B	12	40	68	28	0,85	PHS 08B-1B21	21	85,22	A	12	0,26	PHS 08B-1A21	
22	89,24	B	12	40	70	28	0,92	PHS 08B-1B22	22	89,24	A	12	0,30	PHS 08B-1A22	
23	93,27	B	14	40	70	28	0,95	PHS 08B-1B23	23	93,27	A	12	0,34	PHS 08B-1A23	
24	97,29	B	14	40	70	28	0,98	PHS 08B-1B24	24	97,29	A	12	0,37	PHS 08B-1A24	
25	101,33	B	14	40	70	28	1,01	PHS 08B-1B25	25	101,33	A	12	0,41	PHS 08B-1A25	
26	105,36	B	16	46	70	30	1,09	PHS 08B-1B26	26	105,36	A	16	0,44	PHS 08B-1A26	
27	109,40	B	16	46	70	30	1,13	PHS 08B-1B27	27	109,40	A	16	0,48	PHS 08B-1A27	
28	113,42	B	16	46	70	30	1,17	PHS 08B-1B28	28	113,42	A	16	0,51	PHS 08B-1A28	
29	117,46	B	16	46	80	30	1,41	PHS 08B-1B29	29	117,46	A	16	0,55	PHS 08B-1A29	
30	121,50	B	16	46	80	30	1,46	PHS 08B-1B30	30	121,50	A	16	0,59	PHS 08B-1A30	
31	125,54	B	16	46	90	30	1,75	PHS 08B-1B31	31	125,54	A	16	0,63	PHS 08B-1A31	
32	129,56	B	16	46	90	30	1,79	PHS 08B-1B32	32	129,56	A	16	0,68	PHS 08B-1A32	
33	133,60	B	16	46	90	30	1,83	PHS 08B-1B33	33	133,60	A	16	0,72	PHS 08B-1A33	
34	137,64	B	16	46	90	30	1,87	PHS 08B-1B34	34	137,64	A	16	0,78	PHS 08B-1A34	
35	141,68	B	16	46	90	30	1,94	PHS 08B-1B35	35	141,68	A	16	0,81	PHS 08B-1A35	
36	145,72	B	16	50	90	35	2,21	PHS 08B-1B36	36	145,72	A	16	0,87	PHS 08B-1A36	
37	149,76	B	16	50	90	35	2,24	PHS 08B-1B37	37	149,76	A	16	0,92	PHS 08B-1A37	
38	153,80	B	16	50	90	35	2,33	PHS 08B-1B38	38	153,80	A	16	0,97	PHS 08B-1A38	
39	157,83	B	16	50	90	35	2,30	PHS 08B-1B39	39	157,83	A	16	1,02	PHS 08B-1A39	
40	161,87	B	16	50	90	35	2,44	PHS 08B-1B40	40	161,87	A	16	1,08	PHS 08B-1A40	
41	165,91	B	16	50	90	40	2,41	PHS 08B-1B41	41	165,91	A	20	1,10	PHS 08B-1A41	
42	169,95	B	16	60	90	40	2,38	PHS 08B-1B42	42	169,95	A	20	1,00	PHS 08B-1A42	
43	173,99	B	16	50	90	40	2,35	PHS 08B-1B43	43	173,99	A	20	1,24	PHS 08B-1A43	
44	178,03	B	16	50	90	40	2,32	PHS 08B-1B44	44	178,03	A	20	1,28	PHS 08B-1A44	
45	182,07	B	16	50	90	40	2,30	PHS 08B-1B45	45	182,07	A	20	1,00	PHS 08B-1A45	
46	186,10	B	16	50	90	40	2,45	PHS 08B-1B46	46	186,10	A	20	1,43	PHS 08B-1A46	
47	190,14	B	16	50	90	40	2,60	PHS 08B-1B47	47	190,14	A	20	1,50	PHS 08B-1A47	
48	194,18	B	16	64	90	40	2,85	PHS 08B-1B48	48	194,18	A	20	1,57	PHS 08B-1A48	
50	208,30	B	16	64	90	40	2,92	PHS 08B-1B50	50	208,30	A	20	1,81	PHS 08B-1A50	
54	218,43	B	16	64	90	40	3,00	PHS 08B-1B54	54	218,43	A	20	2,00	PHS 08B-1A54	
57	230,54	B	16	50	90	40	3,13	PHS 08B-1B57	57	230,54	A	20	2,22	PHS 08B-1A57	
60	242,66	B	16	64	90	40	3,30	PHS 08B-1B60	60	242,66	A	20	2,50	PHS 08B-1A60	
64	258,82	B	16	64	90	40	3,60	PHS 08B-1B64	64	258,82	A	25	2,87	PHS 08B-1A64	
70	283,07	B	16	64	90	40	3,80	PHS 08B-1B70	70	283,07	A	25	3,43	PHS 08B-1A70	
72	291,16	B	16	64	90	40	4,00	PHS 08B-1B72	72	291,16	A	25	3,62	PHS 08B-1A72	
76	307,33	B	16	50	90	40	4,12	PHS 08B-1B76	76	307,33	A	25	3,99	PHS 08B-1A76	
80	323,48	B	16	64	90	40	5,00	PHS 08B-1B80	80	323,48	A	25	4,46	PHS 08B-1A80	
84	339,65	B	16	64	90	40	6,12	PHS 08B-1B84	84	339,65	A	25	4,93	PHS 08B-1A84	
85	343,69	B	16	64	90	40	6,32	PHS 08B-1B85	85	343,69	A	25	5,05	PHS 08B-1A85	
92	371,99	B	16	64	90	40	6,92	PHS 08B-1B92	92	371,99	A	25	5,88	PHS 08B-1A92	
95	384,11	B	16	55	90	40	7,38	PHS 08B-1B95	95	384,11	A	25	6,23	PHS 08B-1A95	
96	388,15	B	16	64	90	40	8,00	PHS 08B-1B96	96	388,15	A	25	6,35	PHS 08B-1A96	
114	460,90	B	16	64	90	40	9,50	PHS 08B-1B114	114	460,90	A	25	8,47	PHS 08B-1A114	

Type A



Type B



Maximum bores can accommodate standard keyways. Larger bores are available where a shallow keyway is used or no keyway is required.











# Metric sprockets

Simplex  
Pilot bore

- ▶ ..... Belts
- ▶ ..... Chains
- ▶ ..... Couplings
- ▶ ..... Bushings and Hubs
- ▶ ..... Sprockets
- ▶ ..... Pulleys
- ▶ ..... Smart tools

ISO 24B-1 38,10 mm Pitch

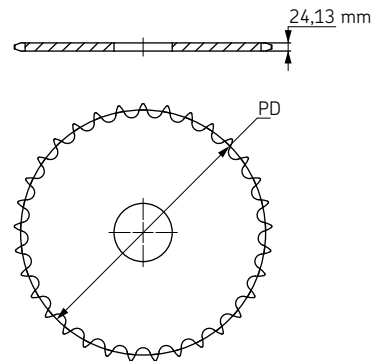
Pilot bore Type B/C – Steel/Cast

Type A – Steel

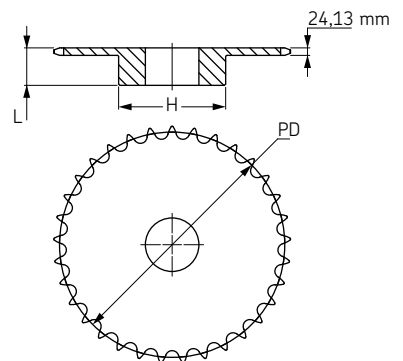
No. Teeth	Pitch Diameter	Type	Bore		Hub		Weight	Designation	No. Teeth	Pitch Diameter	Type	Bore		Weight	Designation
			Min	Max	H	L						Stock			
			mm	mm	mm	mm						mm	kg		
9	111,40	B	20	45	70	45	2,02	PHS 24B-1B9	9	111,40	A	20	1,69	PHS 24B-1A9	
10	123,29	B	20	52	80	45	2,61	PHS 24B-1B10	10	123,29	A	20	1,88	PHS 24B-1A10	
11	135,23	B	25	60	90	50	3,77	PHS 24B-1B11	11	135,23	A	20	2,06	PHS 24B-1A11	
12	147,21	B	25	67	102	50	4,77	PHS 24B-1B12	12	147,21	A	20	2,68	PHS 24B-1A12	
13	159,20	B	25	76	114	50	5,91	PHS 24B-1B13	13	159,20	A	20	3,06	PHS 24B-1A13	
14	171,22	B	25	86	128	50	6,68	PHS 24B-1B14	14	171,22	A	20	3,72	PHS 24B-1A14	
15	183,25	B	25	92	132	50	7,49	PHS 24B-1B15	15	183,25	A	20	4,31	PHS 24B-1A15	
16	195,29	B	25	92	136	55	9,08	PHS 24B-1B16	16	195,29	A	25	4,86	PHS 24B-1A16	
17	207,35	B	25	92	136	55	9,76	PHS 24B-1B17	17	207,35	A	25	5,44	PHS 24B-1A17	
18	219,41	B	25	92	136	55	10,49	PHS 24B-1B18	18	219,41	A	25	6,13	PHS 24B-1A18	
19	231,48	B	25	92	136	55	11,21	PHS 24B-1B19	19	231,48	A	25	7,03	PHS 24B-1A19	
20	243,55	B	25	92	136	55	12,26	PHS 24B-1B20	20	243,55	A	25	7,94	PHS 24B-1A20	
21	255,63	B	25	92	150	60	13,38	PHS 24B-1B21	21	255,63	A	25	8,62	PHS 24B-1A21	
22	267,72	B	25	92	150	60	13,67	PHS 24B-1B22	22	267,72	A	25	9,76	PHS 24B-1A22	
23	179,80	B	25	92	150	60	14,74	PHS 24B-1B23	23	179,80	A	25	10,43	PHS 24B-1A23	
24	291,90	B	25	92	150	60	15,48	PHS 24B-1B24	24	291,90	A	25	11,35	PHS 24B-1A24	
25	303,99	B	25	92	150	60	16,38	PHS 24B-1B25	25	303,99	A	25	12,47	PHS 24B-1A25	
26	316,09	B	30	102	150	40	19,43	PHS 24B-1B26	26	316,09	A	30	13,39	PHS 24B-1A26	
27	328,19	B	30	102	150	40	20,39	PHS 24B-1B27	27	328,19	A	30	14,53	PHS 24B-1A27	
28	340,29	B	30	102	150	40	21,34	PHS 24B-1B28	28	340,29	A	30	15,89	PHS 24B-1A28	
29	352,39	B	30	102	150	40	22,79	PHS 24B-1B29	29	352,39	A	30	17,02	PHS 24B-1A29	
30	364,49	B	30	102	150	40	24,25	PHS 24B-1B30	30	364,49	A	30	18,39	PHS 24B-1A30	
31	376,60	B	30	102	150	40	26,19	PHS 24B-1B31	31	376,60	A	30	20,02	PHS 24B-1A31	
32	388,71	B	30	102	150	40	28,12	PHS 24B-1B32	32	388,71	A	30	21,66	PHS 24B-1A32	
33	400,82	B	30	102	150	40	30,05	PHS 24B-1B33	33	400,82	A	30	23,29	PHS 24B-1A33	
34	412,93	B	30	102	150	40	31,99	PHS 24B-1B34	34	412,93	A	30	24,93	PHS 24B-1A34	
35	425,04	B	30	102	150	40	33,93	PHS 24B-1B35	35	425,04	A	30	26,56	PHS 24B-1A35	
36	437,15	B	30	102	150	40	35,86	PHS 24B-1B36	36	437,15	A	30	28,19	PHS 24B-1A36	
38	461,37	B	30	102	150	40	39,73	PHS 24B-1B38	38	461,37	A	30	31,46	PHS 24B-1A38	
40	485,60	B	30	102	150	40	42,52	PHS 24B-1B40	40	485,60	A	30	36,23	PHS 24B-1A40	
42	509,83	C	30	102	160	90	45,31	PHS 24B-1C42	42	509,83	A	30	40,99	PHS 24B-1A42	
45	546,19	C	30	102	160	90	50,71	PHS 24B-1C45	45	546,19	A	30	48,14	PHS 24B-1A45	
48	482,54	C	30	102	160	90	57,43	PHS 24B-1C48	48	482,54	A	30	55,29	PHS 24B-1A48	
50	606,78	C	30	102	160	90	61,57	PHS 24B-1C50	50	606,78	A	30	60,05	PHS 24B-1A50	
54	655,26	C	30	102	160	100	69,84	PHS 24B-1C54	54	655,26	A	30	69,58	PHS 24B-1A54	
57	691,62	C	30	133	160	100	76,05	PHS 24B-1C57	57	691,62	A	30	76,73	PHS 24B-1A57	
60	727,99	C	30	133	160	100	80,05	PHS 24B-1C60	60	727,99	A	30	85,19	PHS 24B-1A60	
68	824,97	C	30	133	160	100	93,39	PHS 24B-1C70	68	824,97	A	40	107,74	PHS 24B-1A68	
72	873,43	C	30	133	160	100	111,51	PHS 24B-1C72	72	873,43	A	40	119,02	PHS 24B-1A72	
76	921,96	C	30	133	160	100	129,62	PHS 24B-1C76	76	921,96	A	40	130,30	PHS 24B-1A76	
95	921,96	C	30	133	160	100	215,67	PHS 24B-1C95	95	921,96	A	40	183,88	PHS 24B-1A95	
96	921,96	C	30	133	160	100	220,20	PHS 24B-1C96	96	921,96	A	40	186,70	PHS 24B-1A96	
114	921,96	C	30	133	160	100	301,71	PHS 24B-1C114	114	921,96	A	40	237,46	PHS 24B-1A114	

Maximum bores can accommodate standard keyways. Larger bores are available where a shallow keyway is used or no keyway is required.

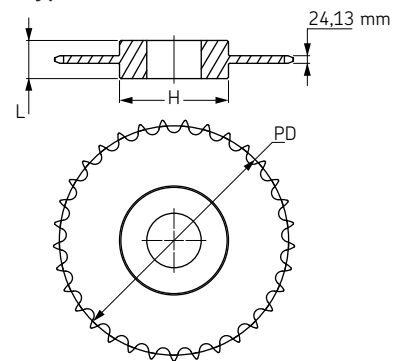
Type A



Type B



Type C



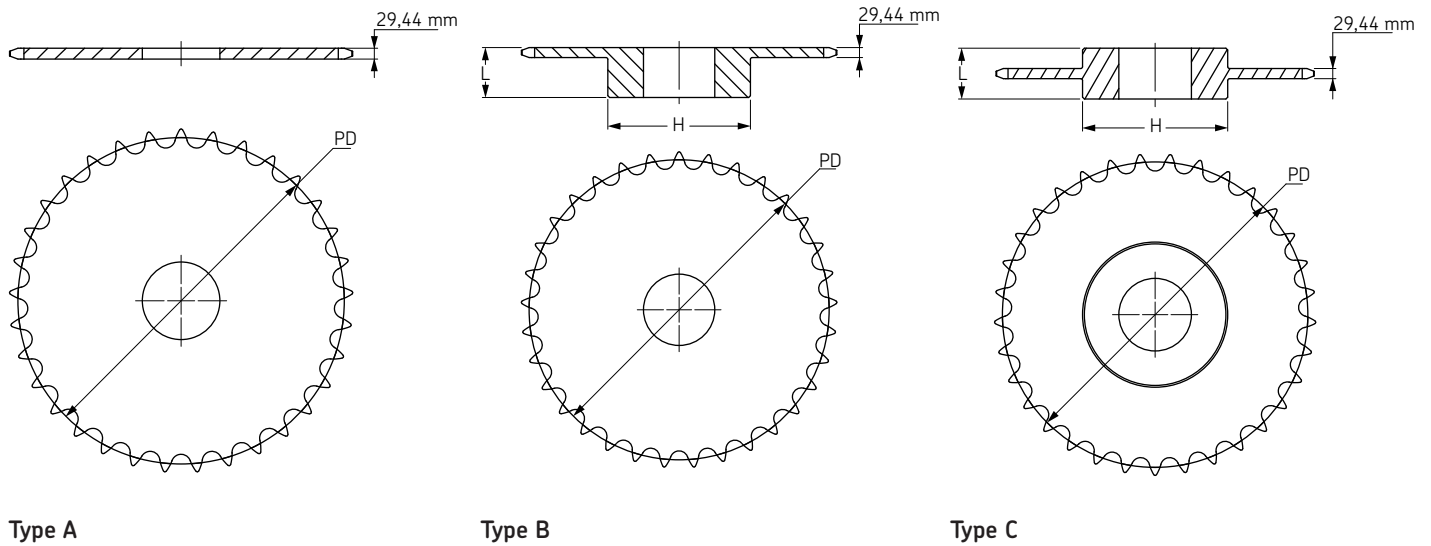


# Metric sprockets

Simplex  
Pilot bore



## ISO 28B-1 44,45 mm Pitch



### Pilot bore Type B/C – Steel/Cast

### Type A – Steel

No. Teeth	Pitch Diameter	Type	Bore		Hub		Weight	Designation	No. Teeth	Pitch Diameter	Type	Bore		Weight	Designation
			Min	Max	H	L						Stock	mm		
	mm		mm	mm	mm	mm	kg		mm			mm	kg		
11	157,77	B	25	73	112	70	5,27	PHS 28B-1B11	11	157,77	A	20	3,18	PHS 28B-1A11	
12	171,74	B	25	84	125	70	6,40	PHS 28B-1B12	12	171,74	A	20	3,95	PHS 28B-1A12	
13	185,74	B	25	93	125	70	8,22	PHS 28B-1B13	13	185,74	A	20	4,31	PHS 28B-1A13	
14	199,76	B	25	93	125	70	9,13	PHS 28B-1B14	14	199,76	A	20	4,77	PHS 28B-1A14	
15	213,79	B	25	108	125	70	11,40	PHS 28B-1B15	15	213,79	A	20	5,45	PHS 28B-1A15	
16	227,84	B	30	108	160	75	12,76	PHS 28B-1B16	16	227,84	A	30	6,81	PHS 28B-1A16	
17	241,91	B	30	108	160	75	13,65	PHS 28B-1B17	17	241,91	A	30	7,71	PHS 28B-1A17	
18	255,98	B	30	108	160	75	13,65	PHS 28B-1B18	18	255,98	A	30	8,63	PHS 28B-1A18	
19	270,06	B	30	108	160	75	15,01	PHS 28B-1B19	19	270,06	A	30	9,53	PHS 28B-1A19	
20	284,14	B	30	108	160	75	16,84	PHS 28B-1B20	20	284,14	A	30	10,44	PHS 28B-1A20	
21	298,24	B	30	108	160	75	18,19	PHS 28B-1B21	21	298,24	A	30	11,79	PHS 28B-1A21	
22	312,34	B	30	108	160	75	19,11	PHS 28B-1B22	22	312,34	A	30	13,17	PHS 28B-1A22	
23	326,44	B	30	108	160	75	20,46	PHS 28B-1B23	23	326,44	A	30	14,06	PHS 28B-1A23	
24	340,54	B	30	108	160	75	21,84	PHS 28B-1B24	24	340,54	A	30	15,44	PHS 28B-1A24	
25	354,65	B	30	108	160	75	22,73	PHS 28B-1B25	25	354,65	A	30	16,78	PHS 28B-1A25	
26	368,77	B	30	108	160	75	26,83	PHS 28B-1B26	26	368,77	A	30	18,61	PHS 28B-1A26	
27	382,88	B	30	108	160	75	27,74	PHS 28B-1B27	27	382,88	A	30	20,43	PHS 28B-1A27	
28	397,00	B	30	108	160	75	30,29	PHS 28B-1B28	28	397,00	A	30	20,88	PHS 28B-1A28	
30	425,24	B	30	108	160	75	32,73	PHS 28B-1B30	30	425,24	A	30	25,17	PHS 28B-1A30	
32	453,49	B	30	134	180	75	34,84	PHS 28B-1B32	32	453,49	A	30	31,02	PHS 28B-1A32	
38	538,27	B	30	134	180	75	51,25	PHS 28B-1B38	38	538,27	A	30	48,58	PHS 28B-1A38	
40	566,54	C	30	134	180	75	52,84	PHS 28B-1C40	40	566,54	A	30	52,80	PHS 28B-1A40	
42	594,81	C	30	134	180	90	54,43	PHS 28B-1C42	42	594,81	A	30	57,02	PHS 28B-1A42	
45	637,22	C	30	134	180	90	60,55	PHS 28B-1C45	45	637,22	A	30	63,35	PHS 28B-1A45	
48	679,63	C	30	134	180	90	62,72	PHS 28B-1C48	48	679,63	A	30	69,68	PHS 28B-1A48	
54	764,47	C	30	134	180	100	74,60	PHS 28B-1C54	54	764,47	A	30	82,34	PHS 28B-1A54	
57	806,89	C	30	134	180	100	81,77	PHS 28B-1C57	57	806,89	A	40	88,67	PHS 28B-1A57	
60	849,32	C	30	134	180	100	88,94	PHS 28B-1C60	60	849,32	A	40	97,97	PHS 28B-1A60	
68	962,47	C	30	137	180	100	108,05	PHS 28B-1C68	68	962,47	A	40	122,79	PHS 28B-1A68	
72	1019,04	C	30	137	180	100	117,61	PHS 28B-1C72	72	1019,04	A	40	135,19	PHS 28B-1A72	
76	1075,62	C	30	137	180	100	127,17	PHS 28B-1C76	76	1075,62	A	40	147,60	PHS 28B-1A76	
95	1344,39	C	30	137	180	100	172,57	PHS 28B-1C95	95	1344,39	A	40	206,53	PHS 28B-1A95	

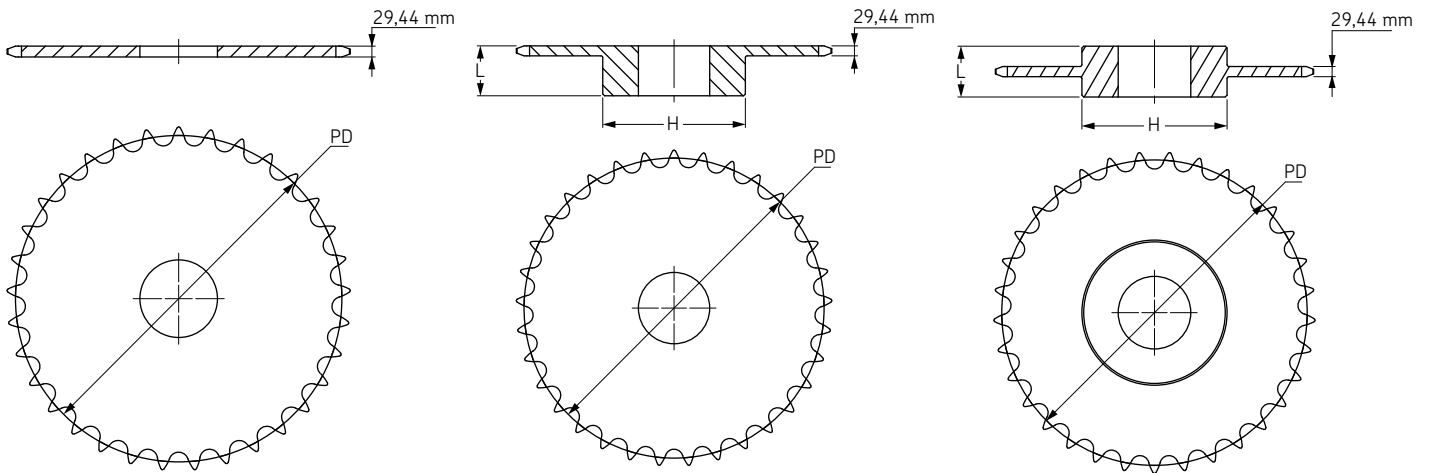
Maximum bores can accommodate standard keyways. Larger bores are available where a shallow keyway is used or no keyway is required.

# Metric sprockets

Simplex  
Pilot bore

- ▶ ..... Belts
- ▶ ..... Chains
- ▶ ..... Couplings
- ▶ ..... Bushings and Hubs
- ▶ ..... Sprockets
- ▶ ..... Pulleys
- ▶ ..... Smart tools

## ISO 32B-1 50,80 mm Pitch



Type A

Type B

Type C

### Pilot bore Type B/C – Steel/Cast

### Type A – Steel

No. Teeth	Pitch Diameter	Type	Bore		Hub		Weight	Designation	No. Teeth	Pitch Diameter	Type	Bore	Weight	Designation
			Min	Max	H	L								
	mm		mm	mm	mm	mm	kg		mm		mm	kg		
11	180,31	B	30	83	120	90	9,04	PHS 32B-1B11	11	180,31	A	25	5,00	PHS 32B-1A11
12	196,28	B	30	89	133	90	11,11	PHS 32B-1B12	12	196,28	A	25	6,02	PHS 32B-1A12
13	212,27	B	30	102	145	90	12,61	PHS 32B-1B13	13	212,27	A	25	7,12	PHS 32B-1A13
14	228,29	B	30	102	145	90	14,97	PHS 32B-1B14	14	228,29	A	30	8,32	PHS 32B-1A14
15	244,33	B	30	102	145	90	17,32	PHS 32B-1B15	15	244,33	A	30	9,50	PHS 32B-1A15
16	260,39	B	30	103	160	90	18,78	PHS 32B-1B16	16	260,39	A	30	11,64	PHS 32B-1A16
17	276,46	B	30	103	160	90	20,23	PHS 32B-1B17	17	276,46	A	30	12,35	PHS 32B-1A17
18	292,55	B	30	103	160	90	21,88	PHS 32B-1B18	18	292,55	A	30	13,96	PHS 32B-1A18
19	308,64	B	30	103	160	90	23,53	PHS 32B-1B19	19	308,64	A	30	15,57	PHS 32B-1A19
20	324,74	B	30	133	180	90	25,37	PHS 32B-1B20	20	324,74	A	30	17,36	PHS 32B-1A20
21	340,84	B	30	133	180	90	27,20	PHS 32B-1B21	21	340,84	A	30	19,15	PHS 32B-1A21
22	356,96	B	30	133	180	90	29,23	PHS 32B-1B22	22	356,96	A	30	21,13	PHS 32B-1A22
23	373,07	B	30	133	180	90	31,25	PHS 32B-1B23	23	373,07	A	30	23,10	PHS 32B-1A23
24	389,19	B	30	133	180	90	35,33	PHS 32B-1B24	24	389,19	A	30	25,26	PHS 32B-1A24
25	405,32	B	30	133	180	90	36,80	PHS 32B-1B25	25	405,32	A	30	27,41	PHS 32B-1A25
26	421,45	B	30	133	180	90	39,41	PHS 32B-1B26	26	421,45	A	30	30,25	PHS 32B-1A26
27	437,58	B	30	133	180	90	42,02	PHS 32B-1B27	27	437,58	A	30	33,10	PHS 32B-1A27
28	453,72	B	30	133	180	90	44,62	PHS 32B-1B28	28	453,72	A	30	35,94	PHS 32B-1A28
30	485,99	B	30	133	180	90	49,84	PHS 32B-1B30	30	485,99	A	30	41,63	PHS 32B-1A30
32	518,28	B	30	139	180	90	58,02	PHS 32B-1B32	32	518,28	A	30	47,31	PHS 32B-1A32
38	615,17	B	30	139	180	90	86,78	PHS 32B-1B38	38	615,17	A	30	64,37	PHS 32B-1A38
40	647,47	C	30	139	180	90	91,35	PHS 32B-1C40	40	647,47	A	40	72,98	PHS 32B-1A40
42	679,78	C	30	139	180	90	95,91	PHS 32B-1C42	42	679,78	A	40	81,60	PHS 32B-1A42
45	728,25	C	30	139	180	100	116,97	PHS 32B-1C45	45	728,25	A	40	94,52	PHS 32B-1A45
48	790,72	C	30	139	180	100	130,43	PHS 32B-1C48	48	790,72	A	40	107,44	PHS 32B-1A48
54	873,68	C	30	139	180	100	157,34	PHS 32B-1C54	54	873,68	A	40	133,29	PHS 32B-1A54
57	922,16	C	30	139	180	100	190,79	PHS 32B-1C57	57	922,16	A	40	146,21	PHS 32B-1A57
60	990,65	C	30	139	200	110	184,25	PHS 32B-1C60	60	990,65	A	40	164,35	PHS 32B-1A60
68	1099,96	C	30	139	200	110	220,13	PHS 32B-1C68	68	1099,96	A	40	212,73	PHS 32B-1A68
72	1164,62	C	30	139	200	110	282,31	PHS 32B-1C72	72	1164,62	A	40	236,91	PHS 32B-1A72
90	1229,28	C	30	139	200	110	297,99	PHS 32B-1C90	90	1229,28	A	40	261,10	PHS 32B-1A90

Maximum bores can accommodate standard keyways. Larger bores are available where a shallow keyway is used or no keyway is required.





# Metric sprockets

Simplex  
Bored-to-size

- ▶ ..... Belts
- ▶ ..... Chains
- ▶ ..... Couplings
- ▶ ..... Bushings and Hubs
- ▶ ..... Sprockets
- ▶ ..... Pulleys
- ▶ ..... Smart tools

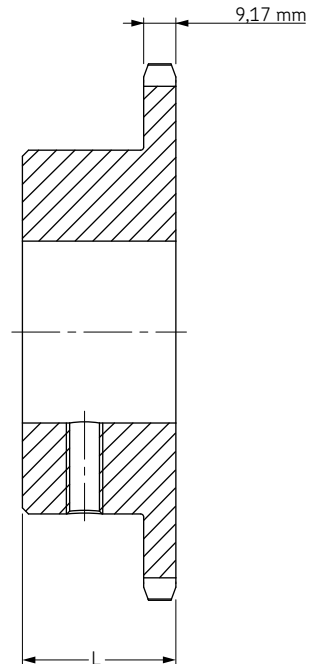
ISO 10B-1 15,88 mm Pitch

## Bored-to-size Type BS

No. Teeth	Pitch Diameter mm	L mm	Weight kg	Designation	Finished Bores (mm) Includes Keyway and Setscrew															
					16	18	19	20	22	24	25	28	30	32	35	38	40	42		
10	51,37	25	0,14	PHS 10B-1BS10	16	-	19	20	-	24*	-	-	-	-	-	-	-	-	-	
11	56,34	30	0,27	PHS 10B-1BS11	16	18	19	20	22	24	25	28	-	-	-	-	-	-	-	
12	61,34	30	0,32	PHS 10B-1BS12	16	18	19	20	22	24	25	28	30	32	-	-	-	-	-	
13	66,32	30	0,36	PHS 10B-1BS13	16	18	19	20	22	24	25	28	30	32	-	-	-	-	-	
14	71,34	30	0,45	PHS 10B-1BS14	16	18	19	20	22	24	25	28	30	32	-	-	-	-	-	
15	76,36	30	0,54	PHS 10B-1BS15	-	-	19	20	22	24	25	28	30	32	35	-	-	-	-	
16	81,37	30	0,66	PHS 10B-1BS16	-	-	19	20	22	24	25	28	30	32	35	38	-	-	-	
17	86,38	30	0,73	PHS 10B-1BS17	-	-	19	20	22	24	25	28	30	32	35	38	-	-	-	
18	91,42	30	0,86	PHS 10B-1BS18	-	-	19	20	22	24	25	28	30	32	35	38	40	42	-	
19	96,45	30	0,91	PHS 10B-1BS19	-	-	19	20	22	24	25	28	30	32	35	38	40	42	-	
20	101,49	30	0,95	PHS 10B-1BS20	-	-	19	20	22	24	25	28	30	32	35	38	40	42	-	
21	106,52	30	1,02	PHS 10B-1BS21	-	-	19	20	22	24	25	28	30	32	35	38	40	42	-	
22	111,55	30	1,09	PHS 10B-1BS22	-	-	19	20	22	24	25	28	30	32	35	38	40	42	-	
23	116,58	30	1,13	PHS 10B-1BS23	-	-	19	20	22	24	25	28	30	32	35	38	40	42	-	
24	121,62	30	1,36	PHS 10B-1BS24	-	-	19	20	22	24	25	28	30	32	35	38	40	42	-	
25	126,66	30	1,45	PHS 10B-1BS25	-	-	19	20	22	24	25	28	30	32	35	38	40	42	-	
26	131,70	35	1,53	PHS 10B-1BS26	-	-	19	20	22	24	25	28	30	32	35	38	40	42	-	
27	136,75	35	1,62	PHS 10B-1BS27	-	-	19	20	22	24	25	28	30	32	35	38	40	42	-	
28	141,78	35	1,71	PHS 10B-1BS28	-	-	19	20	22	24	25	28	30	32	35	38	40	42	-	
29	146,83	35	1,80	PHS 10B-1BS29	-	-	19	20	22	24	25	28	30	32	35	38	40	42	-	
30	151,87	35	1,88	PHS 10B-1BS30	-	-	19	20	22	24	25	28	30	32	35	38	40	42	-	

Hub diameters vary with bore size

\* Keyway with setscrews at 90° & 180°



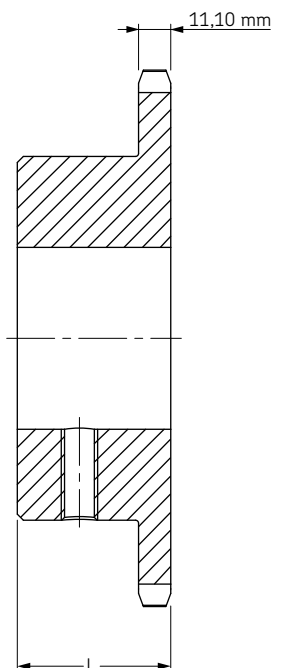
Type BS

ISO 12B-1 19,05 mm Pitch

## Bored-to-size Type BS

No. Teeth	Pitch Diameter mm	L mm	Weight kg	Designation	Finished Bores (mm) Includes Keyway and Setscrew															
					19	20	-	24	25	28	30	32	-	-	-	-	-	-	-	
10	61,64	30	0,32	PHS 12B-1BS10	19	20	-	24	25	28	30	32	-	-	-	-	-	-	-	
11	67,61	35	0,41	PHS 12B-1BS11	19	20	-	24	25	28	30	32	-	-	-	-	-	-	-	
12	73,61	35	0,59	PHS 12B-1BS12	19	20	22	24	25	28	30	32	35	-	-	-	-	-	-	
13	79,59	35	0,59	PHS 12B-1BS13	19	20	22	24	25	28	30	32	35	38	-	-	-	-	-	
14	85,61	35	0,73	PHS 12B-1BS14	19	20	22	24	25	28	30	32	35	38	40	-	-	-	-	
15	91,63	35	0,77	PHS 12B-1BS15	19	20	22	24	25	28	30	32	35	38	40	-	-	-	-	
16	97,65	35	0,95	PHS 12B-1BS16	19	20	22	24	25	28	30	32	35	38	40	42	-	-	-	
17	103,67	35	1,09	PHS 12B-1BS17	-	-	-	-	25	28	30	32	35	38	40	42	-	-	-	
18	109,71	35	1,18	PHS 12B-1BS18	-	-	-	-	25	28	30	32	35	38	40	42	45	48	50	
19	115,75	35	1,54	PHS 12B-1BS19	-	-	-	-	25	28	30	32	35	38	40	42	45	48	50	
20	121,78	35	1,77	PHS 12B-1BS20	-	-	-	-	25	28	30	32	35	38	40	42	45	48	50	
21	127,82	35	2,00	PHS 12B-1BS21	-	-	-	-	25	28	30	32	35	38	40	42	45	48	50	
22	133,86	40	2,13	PHS 12B-1BS22	-	-	-	-	25	28	30	32	35	38	40	42	45	48	50	
23	139,90	40	2,27	PHS 12B-1BS23	-	-	-	-	25	28	30	32	35	38	40	42	45	48	50	
24	145,94	40	2,40	PHS 12B-1BS24	-	-	-	-	25	28	30	32	35	38	40	42	45	48	50	
25	152,00	40	2,45	PHS 12B-1BS25	-	-	-	-	25	28	30	32	35	38	40	42	45	48	50	
26	158,04	40	2,49	PHS 12B-1BS26	-	-	-	-	25	28	30	32	35	38	40	42	45	48	50	
27	164,09	40	2,53	PHS 12B-1BS27	-	-	-	-	25	28	30	32	35	38	40	42	45	48	50	
28	170,13	40	2,57	PHS 12B-1BS28	-	-	-	-	25	28	30	32	35	38	40	42	45	48	50	
29	176,19	40	2,61	PHS 12B-1BS29	-	-	-	-	25	28	30	32	35	38	40	42	45	48	50	
30	182,25	40	2,65	PHS 12B-1BS30	-	-	-	-	25	28	30	32	35	38	40	42	45	48	50	

Hub diameters vary with bore size



Type BS



# Metric sprockets

Simplex  
Bored-to-size

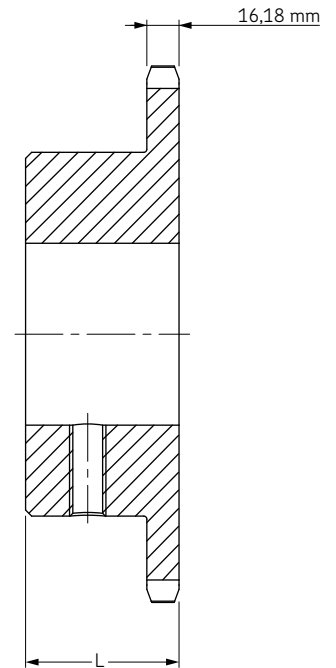


## ISO 16B-1 25,40 mm Pitch

### Bored-to-size Type BS

No. Teeth	Pitch Diameter	L	Weight	Designation	Finished Bores (mm)													
	mm				mm	kg	Includes Keyway and Setscrew											
11	90,14	40	0,82	PHS 16B-1BS11	25	28	30	32	35	38	40	42	-	-	-	-	-	-
12	98,14	40	1,36	PHS 16B-1BS12	25	28	30	32	35	38	40	42	-	-	-	-	-	-
13	106,12	40	1,59	PHS 16B-1BS13	25	28	30	32	35	38	40	42	45	48	50	-	-	-
14	114,15	40	1,86	PHS 16B-1BS14	25	28	30	32	35	38	40	42	45	48	50	-	-	-
15	122,17	40	2,36	PHS 16B-1BS15	25	28	30	32	35	38	40	42	45	48	50	-	-	-
16	130,20	45	2,49	PHS 16B-1BS16	25	28	30	32	35	38	40	42	45	48	50	-	-	-
17	138,22	45	2,72	PHS 16B-1BS17	25	28	30	32	35	38	40	42	45	48	50	-	-	-
18	146,28	45	2,95	PHS 16B-1BS18	25	28	30	32	35	38	40	42	45	48	50	-	-	-
19	154,33	45	3,18	PHS 16B-1BS19	25	28	30	32	35	38	40	42	45	48	50	-	-	-
20	162,38	45	3,63	PHS 16B-1BS20	25	28	30	32	35	38	40	42	45	48	50	-	-	-
21	170,43	45	4,04	PHS 16B-1BS21	25	28	30	32	35	38	40	42	45	48	50	-	-	-
22	178,48	45	4,31	PHS 16B-1BS22	25	28	30	32	35	38	40	42	45	48	50	-	-	-
23	186,53	50	4,63	PHS 16B-1BS23	25	28	30	32	35	38	40	42	45	48	50	-	-	-
24	194,59	50	4,90	PHS 16B-1BS24	25	28	30	32	35	38	40	42	45	48	50	-	-	-
25	202,66	50	5,17	PHS 16B-1BS25	25	28	30	32	35	38	40	42	45	48	50	-	-	-
26	210,72	50	5,44	PHS 16B-1BS26	25	28	30	32	35	38	40	42	45	48	50	-	-	-
27	218,79	50	5,71	PHS 16B-1BS27	25	28	30	32	35	38	40	42	45	48	50	-	-	-
28	226,85	50	5,98	PHS 16B-1BS28	25	28	30	32	35	38	40	42	45	48	50	-	-	-
29	234,92	50	6,25	PHS 16B-1BS29	25	28	30	32	35	38	40	42	45	48	50	-	-	-
30	243,00	65	6,52	PHS 16B-1BS30	25	28	30	32	35	38	40	42	45	48	50	-	-	-

Hub diameters vary with bore size



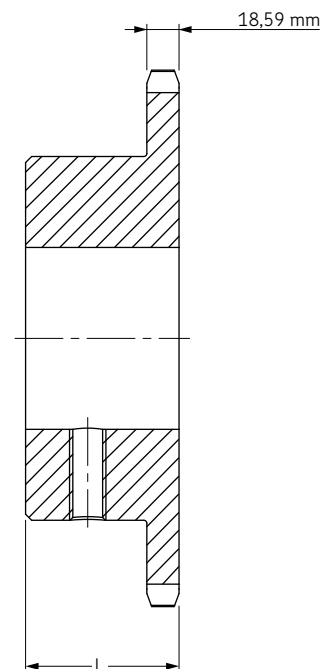
Type BS

## ISO 20B-1 31,75 mm Pitch

### Bored-to-size Type BS

No. Teeth	Pitch Diameter	L	Weight	Designation	Finished Bores (mm)													
	mm				mm	kg	Includes Keyway and Setscrew											
9	92,84	40	1,36	PHS 20B-1BS11	25	28	30	32	35	38	-	-	-	-	-	-	-	-
10	102,74	40	1,77	PHS 20B-1BS12	25	28	30	32	35	38	-	-	-	-	-	-	-	-
11	112,68	45	2,22	PHS 20B-1BS11	25	28	30	32	35	38	40	42	45	50	60	-	-	-
12	122,68	45	2,72	PHS 20B-1BS12	25	28	30	32	35	38	40	42	45	50	60	-	-	-
13	132,65	45	2,81	PHS 20B-1BS13	25	28	30	32	35	38	40	42	45	50	60	-	-	-
14	142,68	45	2,99	PHS 20B-1BS14	-	-	-	32	35	38	40	42	45	50	60	-	-	-
15	152,72	45	3,81	PHS 20B-1BS15	-	-	-	32	35	38	40	42	45	50	60	-	-	-
16	162,75	50	4,08	PHS 20B-1BS16	-	-	-	-	-	38	40	42	45	50	60	65	70	-
17	172,78	50	4,49	PHS 20B-1BS17	-	-	-	-	-	38	40	42	45	50	60	65	70	-
18	182,85	50	4,81	PHS 20B-1BS18	-	-	-	-	-	38	40	42	45	50	60	65	70	-
19	192,91	50	5,49	PHS 20B-1BS19	-	-	-	-	-	38	40	42	45	50	60	65	70	-
20	202,98	50	5,99	PHS 20B-1BS20	-	-	-	-	-	38	40	42	45	50	60	65	70	-

Hub diameters vary with bore size



Type BS



# Metric sprockets

Simplex  
Taper Bushed

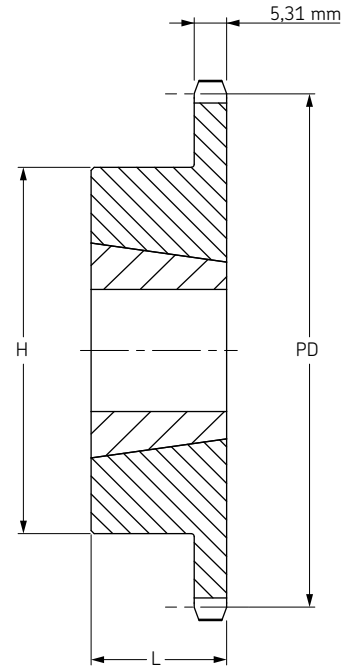
- ▶ ..... Belts
- ▶ ..... Chains
- ▶ ..... Couplings
- ▶ ..... Bushings and Hubs
- ▶ ..... Sprockets
- ▶ ..... Pulleys
- ▶ ..... Smart tools

ISO 06B-1 9,525 mm Pitch

## Taper Bushed Type B

No. Teeth	Pitch Diameter	Type	Bushing Size	Bore		Dimensions		Weight		Designation
				min	max	L	H	Rim	Bushing	
				mm	mm	mm	mm	kg	kg	
16	48,82	B	1008	9	25,4	22	42,0+	0,12	0,09	PHS 06B-1TB16
17	51,83	B	1008	9	25,4	22	45,0	0,13	0,09	PHS 06B-1TB17
18	54,85	B	1008	9	25,4	22	45,0	0,14	0,09	PHS 06B-1TB18
19	57,87	B	1008	9	25,4	22	45,0	0,16	0,09	PHS 06B-1TB19
20	60,89	B	1008	9	25,4	22	46,0	0,18	0,09	PHS 06B-1TB20
21	63,91	B	1008	9	25,4	22	46,0	0,20	0,09	PHS 06B-1TB21
22	66,93	B	1108	9	28,0	22	52,0	0,24	0,12	PHS 06B-1TB22
23	69,95	B	1210	11	31,8	25	63,0+	0,30	0,21	PHS 06B-1TB23
24	72,97	B	1210	11	31,8	25	63,0	0,32	0,21	PHS 06B-1TB24
25	76,00	B	1210	11	31,8	25	63,0	0,35	0,21	PHS 06B-1TB25
26	79,02	B	1210	11	31,8	25	63,0	0,35	0,21	PHS 06B-1TB26
27	82,05	B	1210	11	31,8	25	63,0	0,38	0,21	PHS 06B-1TB27
28	85,07	B	1210	11	31,8	25	63,0	0,38	0,21	PHS 06B-1TB28
29	88,09	B	1210	11	31,8	25	63,0	0,40	0,21	PHS 06B-1TB29
30	91,12	B	1210	11	31,8	25	63,0	0,41	0,21	PHS 06B-1TB30
32	97,18	B	1210	11	31,8	25	63,0	0,58	0,21	PHS 06B-1TB32
35	106,26	B	1210	11	31,8	25	63,0	0,76	0,21	PHS 06B-1TB35
36	109,29	B	1210	11	31,8	25	63,0	0,82	0,21	PHS 06B-1TB36
38	115,35	B	1210	11	31,8	25	70,0	0,94	0,21	PHS 06B-1TB38
40	121,40	B	1210	11	31,8	25	70,0	1,06	0,21	PHS 06B-1TB40
45	136,55	B	1210	11	31,8	25	70,0	1,36	0,21	PHS 06B-1TB45
48	145,65	B	1210	11	31,8	25	70,0	1,54	0,21	PHS 06B-1TB48
54	163,82	B	1210	11	31,8	25	70,0	1,90	0,21	PHS 06B-1TB54
57	172,90	B	1210	11	31,8	25	70,0	1,60	0,21	PHS 06B-1TB57
60	182,00	B	1210	11	31,8	25	70,0	2,26	0,21	PHS 06B-1TB60
70	212,30	B	1210	11	31,8	25	70,0	2,86	0,21	PHS 06B-1TB70
76	230,49	B	1210	11	31,8	25	70,0	2,43	0,21	PHS 06B-1TB76
95	288,08	B	1210	11	31,8	25	110,0	2,72	0,21	PHS 06B-1TB95
114	345,68	B	1215	11	31,8	25	110,0	5,50	0,31	PHS 06B-1TB114

+ Undercut in hub for chain clearance



Type B



# Metric sprockets

Simplex  
Taper Bushed

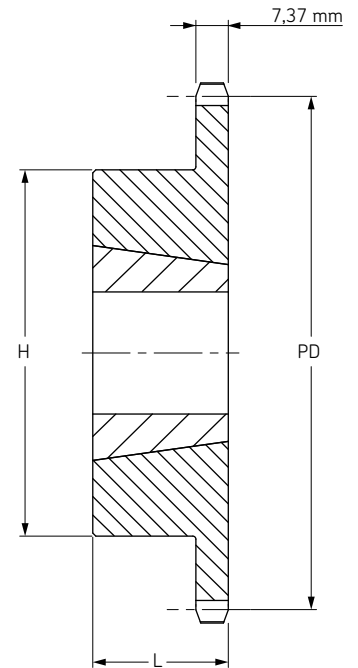


ISO 08B-1 12,70 mm Pitch

## Taper Bushed Type B

No. Teeth	Pitch Diameter	Type	Bushing Size	Bore		Dimensions		Weight		Designation
				min	max	L	H	Rim	Bushing	
				mm	mm	mm	mm	kg	kg	
14	57,07	B	1008	9	25,4	22	46+	0,12	0,14	PHS 08B-1TB14
15	61,09	B	1008	9	25,4	22	45	0,18	0,14	PHS 08B-1TB15
16	65,10	B	1108	9	28,0	22	52	0,24	0,16	PHS 08B-1TB16
17	69,11	B	1210	11	31,8	25	60+	0,24	0,27	PHS 08B-1TB17
18	73,14	B	1210	11	31,8	25	60+	0,30	0,27	PHS 08B-1TB18
19	77,16	B	1210	11	31,8	25	63	0,33	0,27	PHS 08B-1TB19
20	81,19	B	1210	11	31,8	25	71	0,32	0,41	PHS 08B-1TB20
21	85,22	B	1610	14	41,3	25	71	0,37	0,41	PHS 08B-1TB21
22	89,24	B	1610	14	41,3	25	76	0,50	0,41	PHS 08B-1TB22
23	93,27	B	1610	14	41,3	25	76	0,53	0,41	PHS 08B-1TB23
24	97,29	B	1610	14	41,3	25	76	0,54	0,41	PHS 08B-1TB24
25	101,33	B	1610	14	41,3	25	76	0,59	0,41	PHS 08B-1TB25
26	105,36	B	1610	14	41,3	25	76	0,61	0,41	PHS 08B-1TB26
27	109,40	B	1610	14	41,3	25	76	0,94	0,41	PHS 08B-1TB27
28	113,42	B	2012	14	50,8	25	90	0,86	0,77	PHS 08B-1TB28
29	117,46	B	2012	14	50,8	25	90	0,90	0,77	PHS 08B-1TB29
30	121,50	B	2012	14	50,8	32	90	0,94	0,59	PHS 08B-1TB30
32	129,57	B	2012	14	50,8	32	90	1,12	0,59	PHS 08B-1TB32
35	141,68	B	2012	14	50,8	32	90	1,30	0,59	PHS 08B-1TB35
36	145,72	B	2012	14	50,8	32	90	1,48	0,59	PHS 08B-1TB36
38	153,80	B	2012	14	50,8	32	90	1,67	0,59	PHS 08B-1TB38
40	161,87	B	2012	14	50,8	32	90	1,80	0,59	PHS 08B-1TB40
42	169,94	B	2012	14	50,8	32	100	1,93	0,59	PHS 08B-1TB42
45	182,07	B	2012	14	50,8	32	100	2,06	0,59	PHS 08B-1TB45
48	194,18	B	2012	14	50,8	32	100	2,36	0,59	PHS 08B-1TB48
54	218,42	B	2012	14	50,8	32	100	2,66	0,59	PHS 08B-1TB54
57	230,53	B	2012	14	50,8	32	100	3,07	0,59	PHS 08B-1TB57
60	242,66	B	2012	14	50,8	32	100	3,23	0,59	PHS 08B-1TB60
70	283,07	B	2012	14	50,8	32	100	3,39	0,59	PHS 08B-1TB70
72	291,15	B	2012	14	50,8	32	100	3,55	0,59	PHS 08B-1TB72
76	307,31	B	2012	14	50,8	32	100	3,71	0,59	PHS 08B-1TB76
80	323,49	B	2012	14	50,8	32	100	4,55	0,59	PHS 08B-1TB80
84	339,65	B	2012	14	50,8	32	100	5,39	0,59	PHS 08B-1TB84
95	384,10	B	2012	14	50,8	32	100	6,23	0,59	PHS 08B-1TB95
96	388,15	B	2012	14	50,8	32	100	7,00	0,59	PHS 08B-1TB96
114	460,90	B	2517	16	63,5	45	110	8,10	1,30	PHS 08B-1TB114

+ Undercut in hub for chain clearance



Type B





# Metric sprockets

Simplex  
Taper Bushed

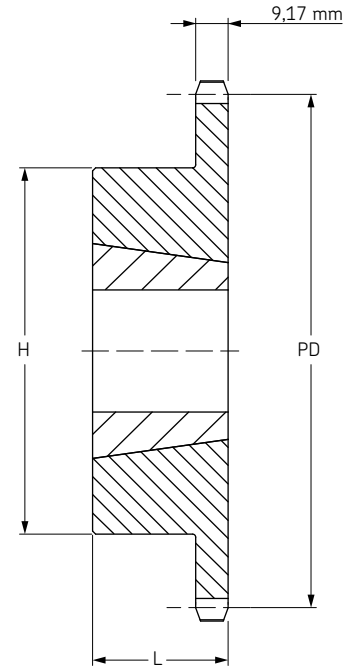
- ▶ ..... Belts
- ▶ ..... Chains
- ▶ ..... Couplings
- ▶ ..... Bushings and Hubs
- ▶ ..... Sprockets
- ▶ ..... Pulleys
- ▶ ..... Smart tools

## ISO 10B-1 15,88 mm Pitch

### Taper Bushed Type B

No. Teeth	Pitch Diameter	Type	Bushing Size	Bore		Dimensions		Weight		Designation
				min	max	L	H	Rim	Bushing	
				mm	mm	mm	mm	kg	kg	
12	61,34	B	1008	9	25,4	22	49,2+	0,21	0,09	PHS 10B-1TB12
13	66,32	B	1008	9	25,4	22	47,0	0,25	0,09	PHS 10B-1TB13
14	71,34	B	1108	9	25,4	22	52,0	0,27	0,12	PHS 10B-1TB14
15	76,36	B	1210	11	31,8	25	60,0	0,33	0,21	PHS 10B-1TB15
16	81,37	B	1610	14	41,3	25	70,6+	0,32	0,31	PHS 10B-1TB16
17	86,39	B	1610	14	41,3	25	71,0+	0,40	0,31	PHS 10B-1TB17
18	91,42	B	1610	14	41,3	25	75,0	0,50	0,31	PHS 10B-1TB18
19	96,45	B	1610	14	41,3	25	75,0	0,56	0,31	PHS 10B-1TB19
20	101,49	B	1610	14	41,3	25	76,0	0,64	0,31	PHS 10B-1TB20
21	106,52	B	1610	14	41,3	25	76,0	0,69	0,31	PHS 10B-1TB21
22	111,55	B	1610	14	41,3	25	76,0	0,75	0,31	PHS 10B-1TB22
23	116,58	B	1610	14	41,3	25	76,0	0,81	0,31	PHS 10B-1TB23
24	121,62	B	2012	14	50,8	32	90,0	1,00	0,59	PHS 10B-1TB24
25	126,66	B	2012	14	50,8	32	90,0	1,06	0,59	PHS 10B-1TB25
26	131,70	B	2012	14	50,8	32	90,0	1,14	0,59	PHS 10B-1TB26
27	136,75	B	2012	14	50,8	32	90,0	1,19	0,59	PHS 10B-1TB27
28	141,78	B	2012	14	50,8	32	90,0	1,28	0,59	PHS 10B-1TB28
29	146,83	B	2012	14	50,8	32	90,0	1,37	0,59	PHS 10B-1TB29
30	151,87	B	2012	14	50,8	32	90,0	1,65	0,59	PHS 10B-1TB30
32	161,96	B	2012	14	50,8	32	98,0	2,21	0,59	PHS 10B-1TB32
35	177,10	B	2012	14	50,8	32	98,0	3,05	0,59	PHS 10B-1TB35
36	182,15	B	2012	14	50,8	32	98,0	3,33	0,59	PHS 10B-1TB36
38	192,24	B	2012	14	50,8	32	100,0	3,89	0,59	PHS 10B-1TB38
40	202,33	B	2012	14	50,8	32	100,0	4,45	0,59	PHS 10B-1TB40
42	212,43	B	2012	14	50,8	32	100,0	5,01	0,59	PHS 10B-1TB42
45	227,58	B	2012	14	50,8	32	100,0	3,97	0,59	PHS 10B-1TB45
48	242,73	B	2012	14	50,8	32	100,0	6,69	0,59	PHS 10B-1TB48
54	273,03	B	2012	14	50,8	32	100,0	8,37	0,59	PHS 10B-1TB54
57	288,19	B	2012	14	50,8	32	100,0	5,45	0,59	PHS 10B-1TB57
60	303,33	B	2012	14	50,8	32	100,0	10,05	0,59	PHS 10B-1TB60
70	353,84	B	2012	16	63,5	45	100,0	12,85	1,30	PHS 10B-1TB70
72	363,95	B	2012	16	63,5	45	100,0	13,41	1,30	PHS 10B-1TB72
76	384,15	B	2012	14	50,8	45	100,0	7,43	0,59	PHS 10B-1TB76
80	404,35	B	2012	16	63,5	45	110,0	15,65	1,30	PHS 10B-1TB80
84	424,70	B	2012	16	63,5	45	110,0	16,77	1,30	PHS 10B-1TB84
95	480,14	B	2517	14	50,8	45	110,0	19,85	0,59	PHS 10B-1TB95
96	485,30	B	2517	16	63,5	45	110,0	20,13	1,30	PHS 10B-1TB96
114	576,13	B	2517	16	63,5	45	110,0	25,17	1,30	PHS 10B-1TB114

+ Undercut in hub for chain clearance



Type B



# Metric sprockets

Simplex  
Taper Bushed

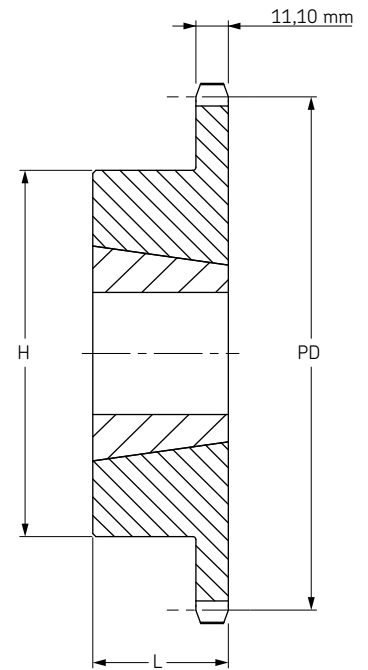


ISO 12B-1 19,05 mm Pitch

## Taper Bushed Type B

No. Teeth	Pitch Diameter	Type	Bushing Size	Bore		Dimensions		Weight		Designation
				min	max	L	H	Rim	Bushing	
				mm	mm	mm	mm	kg	kg	
11	67,61	B	1008	9	25,4	22	46,0	0,22	0,09	PHS 12B-1TB11
12	73,61	B	1008	9	25,4	22	49,2	0,30	0,09	PHS 12B-1TB12
13	79,59	B	1210	11	31,8	25	60,0	0,38	0,21	PHS 12B-1TB13
14	85,61	B	1610	14	41,3	25	70,0	0,46	0,31	PHS 12B-1TB14
15	91,63	B	1610	14	41,3	25	70,0	0,48	0,31	PHS 12B-1TB15
16	97,65	B	1610	14	41,3	25	75,0	0,60	0,31	PHS 12B-1TB16
17	103,67	B	1610	14	41,3	25	76,0	0,70	0,31	PHS 12B-1TB17
18	109,71	B	2012	14	50,8	32	90,0	0,86	0,59	PHS 12B-1TB18
19	115,75	B	2012	14	50,8	32	90,0	0,98	0,59	PHS 12B-1TB19
20	121,78	B	2012	14	50,8	32	95,0	1,25	0,59	PHS 12B-1TB20
21	127,82	B	2517	16	63,5	45	102,0	1,28	1,30	PHS 12B-1TB21
22	133,86	B	2517	16	63,5	45	102,0	1,37	1,30	PHS 12B-1TB22
23	139,90	B	2517	16	63,5	45	108,0	1,75	1,30	PHS 12B-1TB23
24	145,94	B	2517	16	63,5	45	108,0	1,85	1,30	PHS 12B-1TB24
25	152,00	B	2517	16	63,5	45	108,0	1,95	1,30	PHS 12B-1TB25
26	158,04	B	2517	16	63,5	45	108,0	2,09	1,30	PHS 12B-1TB26
27	164,09	B	2517	16	63,5	45	108,0	2,22	1,30	PHS 12B-1TB27
28	170,13	B	2517	16	63,5	45	108,0	2,36	1,30	PHS 12B-1TB28
29	176,19	B	2517	16	63,5	45	108,0	2,75	1,30	PHS 12B-1TB29
30	182,25	B	2517	16	63,5	45	108,0	2,89	1,30	PHS 12B-1TB30
32	194,36	B	2517	16	63,5	45	108,0	3,59	1,30	PHS 12B-1TB32
35	212,52	B	2517	16	63,5	45	108,0	4,41	1,30	PHS 12B-1TB35
36	218,58	B	2517	16	63,5	45	108,0	4,68	1,30	PHS 12B-1TB36
38	230,69	B	2517	16	63,5	45	108,0	4,60	1,30	PHS 12B-1TB38
40	242,81	B	2517	16	63,5	45	108,0	5,78	1,30	PHS 12B-1TB40
42	254,93	B	2517	16	63,5	45	108,0	6,33	1,30	PHS 12B-1TB42
45	273,10	B	2517	16	63,5	45	108,0	5,70	1,30	PHS 12B-1TB45
48	291,27	B	2517	16	63,5	45	108,0	7,97	1,30	PHS 12B-1TB48
54	327,64	B	2517	16	63,5	45	108,0	9,61	1,30	PHS 12B-1TB54
57	345,81	B	2517	16	63,5	45	108,0	6,49	1,30	PHS 12B-1TB57
60	363,99	B	2517	16	63,5	45	108,0	11,25	1,30	PHS 12B-1TB60
68	412,49	B	2517	16	63,5	45	108,0	13,44	1,30	PHS 12B-1TB68
70	424,60	B	2517	16	63,5	45	108,0	13,99	1,30	PHS 12B-1TB70
72	436,74	B	2517	16	63,5	45	108,0	14,54	1,30	PHS 12B-1TB72
76	460,99	B	2517	16	63,5	45	108,0	11,20	1,30	PHS 12B-1TB76
84	509,48	B	2517	16	63,5	45	108,0	17,82	1,30	PHS 12B-1TB84
95	576,17	B	2517	16	63,5	45	108,0	17,64	1,30	PHS 12B-1TB95
96	582,23	B	2517	16	63,5	45	108,0	21,11	1,30	PHS 12B-1TB96
114	691,36	B	2517	16	63,5	64	108,0	26,04	1,30	PHS 12B-1TB114

+ Undercut in hub for chain clearance



Type B



# Metric sprockets

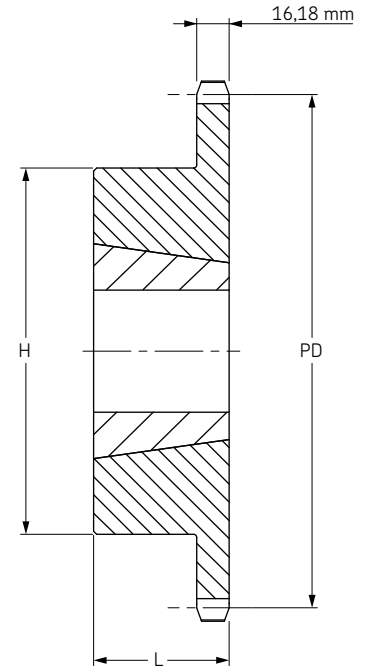
Simplex  
Taper Bushed

- ▶ ..... Belts
- ▶ ..... Chains
- ▶ ..... Couplings
- ▶ ..... Bushings and Hubs
- ▶ ..... Sprockets
- ▶ ..... Pulleys
- ▶ ..... Smart tools

ISO 16B-1 25,40 mm Pitch

## Taper Bushed Type B

No. Teeth	Pitch Diameter	Type	Bushing Size	Bore		Dimensions		Weight		Designation
				min	max	L	H	Rim	Bushing	
				mm	mm	mm	mm	kg	kg	
10	82,19	B	1610	11	31,8	38	62,7	0,34	0,30	PHS 16B-1TB10
11	90,14	B	1610	11	31,8	38	62,7	0,57	0,30	PHS 16B-1TB11
12	98,14	B	1610	14	41,3	38	76,2	0,81	0,43	PHS 16B-1TB12
13	106,12	B	1610	14	41,3	38	73,0	1,03	0,43	PHS 16B-1TB13
14	114,15	B	1610	14	41,3	38	78,0	1,26	0,43	PHS 16B-1TB14
15	122,17	B	1610	14	41,3	38	76,0	1,40	0,43	PHS 16B-1TB15
16	130,20	B	2012	14	50,8	32	90,0	1,42	0,59	PHS 16B-1TB16
17	138,22	B	2012	14	50,8	32	90,0	1,60	0,59	PHS 16B-1TB17
18	146,28	B	2517	16	63,5	32	108,0	2,09	1,30	PHS 16B-1TB18
19	154,33	B	2517	16	63,5	45	108,0	2,30	1,30	PHS 16B-1TB19
20	162,38	B	2517	16	63,5	45	110	2,56	1,30	PHS 16B-1TB20
21	170,43	B	2517	16	63,5	45	110	2,80	1,30	PHS 16B-1TB21
22	178,48	B	2517	16	63,5	45	110	3,36	1,30	PHS 16B-1TB22
23	186,53	B	2517	16	63,5	45	110	3,34	1,30	PHS 16B-1TB23
24	194,59	B	2517	16	63,5	45	110	3,66	1,30	PHS 16B-1TB24
25	202,66	B	2517	16	63,5	45	110	3,96	1,30	PHS 16B-1TB25
26	210,72	B	2517	16	63,5	45	110	4,26	1,30	PHS 16B-1TB26
27	218,79	B	2517	16	63,5	45	110	4,63	1,30	PHS 16B-1TB27
28	226,85	B	2517	16	63,5	45	140	4,97	1,30	PHS 16B-1TB28
29	234,92	B	3020	25	76,2	51	140	6,24	2,24	PHS 16B-1TB29
30	243,00	B	3020	25	76,2	51	140	6,67	2,24	PHS 16B-1TB30
32	259,13	B	3020	25	76,2	51	140	8,37	2,24	PHS 16B-1TB32
35	283,36	B	3020	25	76,2	51	140	10,92	2,24	PHS 16B-1TB35
36	291,44	B	3020	25	76,2	51	140	11,77	2,24	PHS 16B-1TB36
38	307,59	B	3020	25	76,2	51	140	9,49	2,24	PHS 16B-1TB38
40	323,75	B	3020	25	76,2	51	140	15,17	2,24	PHS 16B-1TB40
45	364,13	B	3020	25	76,2	51	140	11,70	2,24	PHS 16B-1TB45
48	388,36	B	3020	25	76,2	51	140	18,91	2,24	PHS 16B-1TB48
54	436,85	B	3020	25	76,2	51	140	21,72	2,24	PHS 16B-1TB54
57	461,07	B	3020	25	76,2	51	140	15,00	2,24	PHS 16B-1TB57
60	485,32	B	3020	25	76,2	51	140	24,52	2,24	PHS 16B-1TB60
64	517,65	B	3020	25	76,2	51	140	26,39	2,24	PHS 16B-1TB64
70	566,14	B	3020	25	76,2	51	140	29,20	2,24	PHS 16B-1TB70
76	614,65	B	3020	25	76,2	51	140	23,00	2,24	PHS 16B-1TB76
80	646,96	B	3020	25	76,2	51	140	33,87	2,24	PHS 16B-1TB80
84	679,30	B	3020	25	76,2	51	140	35,74	2,24	PHS 16B-1TB84
95	768,22	B	3020	25	76,2	51	140	40,88	2,24	PHS 16B-1TB95
114	921,81	B	3020	25	76,2	76	140	49,77	2,24	PHS 16B-1TB114



Type B



# Metric sprockets

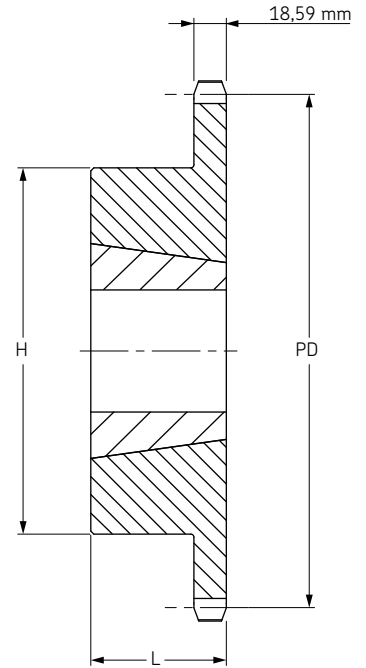
Simplex  
Taper Bushed



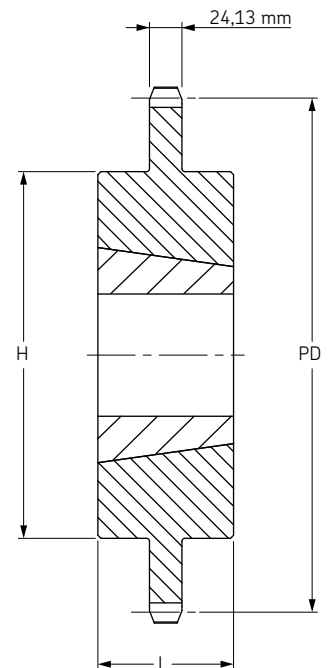
ISO 20B-1      31,75 mm Pitch

## Taper Bushed Type B

No. Teeth	Pitch Diameter mm	Type	Bushing Size	Bore		Dimensions		Weight		Designation
				min	max	L	H	Rim	Bushing	
				mm	mm	mm	mm	kg	kg	
11	112,70	B	1615	14	41,3	38	62,7	1,22	0,43	PHS 20B-1TB11
12	122,67	B	1615	14	41,3	38	70,6	1,41	0,43	PHS 20B-1TB12
13	132,67	B	2012	14	50,8	32	90,0	1,45	0,59	PHS 20B-1TB13
14	142,68	B	2012	14	50,8	32	90,5	1,63	0,59	PHS 20B-1TB14
15	152,71	B	2517	16	63,5	45	108,0	2,31	1,30	PHS 20B-1TB15
16	162,75	B	2517	16	63,5	45	108,0	2,72	1,30	PHS 20B-1TB16
17	172,79	B	2517	16	63,5	45	108,0	3,27	1,30	PHS 20B-1TB17
18	182,84	B	2517	16	63,5	45	108,0	3,63	1,30	PHS 20B-1TB18
19	192,90	B	2517	16	63,5	45	108,0	4,09	1,30	PHS 20B-1TB19
20	202,96	B	2517	16	63,5	45	108,0	4,40	1,30	PHS 20B-1TB20
21	213,03	B	2517	16	63,5	45	108,0	4,54	1,30	PHS 20B-1TB21
22	223,10	B	2517	16	63,5	45	108,0	4,77	1,30	PHS 20B-1TB22
23	233,17	B	2517	16	63,5	45	108,0	5,58	1,30	PHS 20B-1TB23
24	243,25	B	2517	16	63,5	45	108,0	6,13	1,30	PHS 20B-1TB24
25	253,32	B	2517	16	63,5	45	108,0	6,95	1,30	PHS 20B-1TB25
26	263,41	B	2517	16	63,5	51	108,0	7,35	1,30	PHS 20B-1TB26
27	283,57	B	3020	25	76,2	51	150,0	7,90	2,24	PHS 20B-1TB27
30	303,75	B	3020	25	76,2	51	150,0	9,62	2,24	PHS 20B-1TB30
32	323,92	B	3020	25	76,2	51	160,0	11,03	2,24	PHS 20B-1TB32
35	354,20	B	3020	25	76,2	51	160,0	13,15	2,24	PHS 20B-1TB35
36	364,29	B	3020	25	76,2	51	160,0	13,86	2,24	PHS 20B-1TB36
38	384,48	B	3020	25	76,2	51	160,0	15,98	2,24	PHS 20B-1TB38
40	404,67	B	3020	25	76,2	51	160,0	19,43	2,24	PHS 20B-1TB40
45	455,15	B	3020	25	76,2	51	160,0	25,18	2,24	PHS 20B-1TB45
48	485,45	B	3020	25	76,2	51	160,0	28,62	2,24	PHS 20B-1TB48
54	546,05	B	3020	25	76,2	51	160,0	35,52	2,24	PHS 20B-1TB54
57	576,35	B	3020	25	76,2	51	160,0	37,82	2,24	PHS 20B-1TB57
60	606,66	B	3020	25	76,2	51	160,0	41,27	2,24	PHS 20B-1TB60
70	707,68	C	3535	35	88,9	51	160,0	51,56	5,18	PHS 20B-1TB70
72	727,89	C	3535	35	88,9	51	160,0	53,97	5,18	PHS 20B-1TB72
76	768,30	C	3535	35	88,9	51	160,0	60,33	5,18	PHS 20B-1TB76
80	808,71	C	3535	35	88,9	51	160,0	66,23	5,18	PHS 20B-1TB80
84	849,13	C	3535	35	88,9	51	160,0	73,48	5,18	PHS 20B-1TB84
90	909,76	C	3535	35	88,9	51	160,0	94,33	5,18	PHS 20B-1TB90
95	960,28	C	3535	35	88,9	51	160,0	96,16	5,18	PHS 20B-1TB95



Type B



Type C



# Metric sprockets

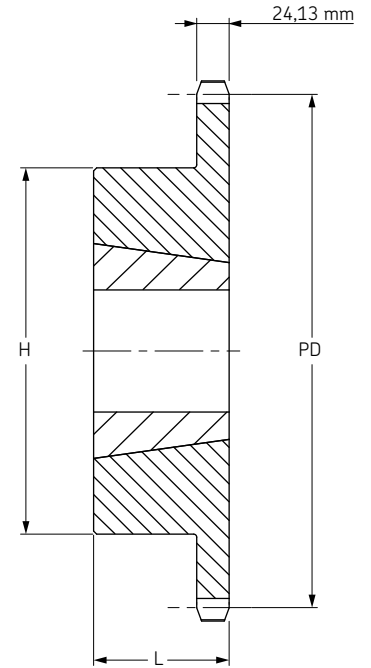
Simplex  
Taper Bushed

- ▶ ..... Belts
- ▶ ..... Chains
- ▶ ..... Couplings
- ▶ ..... Bushings and Hubs
- ▶ ..... Sprockets
- ▶ ..... Pulleys
- ▶ ..... Smart tools

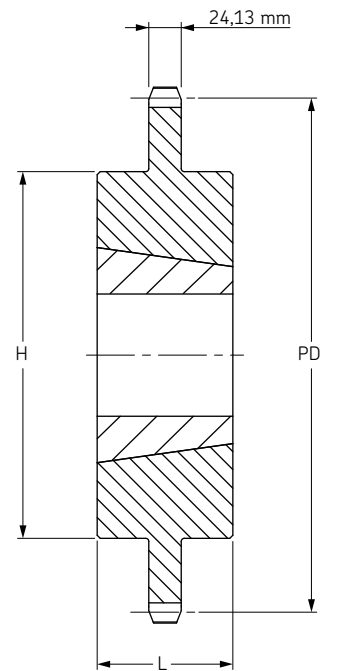
ISO 24B-1 38,10 mm Pitch

## Taper Bushed Type B/C

No. Teeth	Pitch Diameter	Type	Bushing Size	Bore		Dimensions		Weight		Designation
				min	max	L	H	Rim	Bushing	
				mm	mm	mm	mm	kg	kg	
11	135,23	B	2012	14	50,8	31,8	90,5	2,28	0,59	PHS 24B-1TB11
12	147,21	B	2012	14	50,8	31,8	90,5	2,49	0,59	PHS 24B-1TB12
13	159,20	B	2517	16	63,5	44,5	107,9	2,77	1,30	PHS 24B-1TB13
14	171,22	B	2517	16	63,5	44,5	107,9	3,54	1,30	PHS 24B-1TB14
15	183,25	B	2517	16	63,5	44,5	107,9	4,31	1,30	PHS 24B-1TB15
16	195,29	B	3020	25	76,2	50,8	133,4	4,77	2,24	PHS 24B-1TB16
17	207,35	B	3020	25	76,2	50,8	133,4	5,45	2,24	PHS 24B-1TB17
18	219,41	B	3020	25	76,2	50,8	133,4	6,13	2,24	PHS 24B-1TB18
19	231,48	B	3020	25	76,2	50,8	133,4	6,81	2,24	PHS 24B-1TB19
20	243,55	B	3020	25	76,2	50,8	133,4	7,49	2,24	PHS 24B-1TB20
21	255,63	B	3020	25	76,2	50,8	133,4	7,94	2,24	PHS 24B-1TB21
22	267,72	B	3020	25	76,2	50,8	133,4	8,75	2,24	PHS 24B-1TB22
23	279,80	B	3020	25	76,2	50,8	133,4	9,53	2,24	PHS 24B-1TB23
24	291,90	B	3020	25	76,2	50,8	133,4	10,67	2,24	PHS 24B-1TB24
25	303,99	B	3020	25	76,2	50,8	133,4	11,80	2,24	PHS 24B-1TB25
26	316,09	B	3020	25	76,2	50,8	133,4	12,93	2,24	PHS 24B-1TB26
27	328,19	B	3020	25	76,2	50,8	133,4	13,50	2,24	PHS 24B-1TB27
28	340,29	B	3020	25	76,2	50,8	133,4	14,70	2,24	PHS 24B-1TB28
29	352,29	B	3020	25	76,2	50,8	133,4	14,75	2,24	PHS 24B-1TB29
30	364,49	B	3020	25	76,2	50,8	133,4	15,20	2,24	PHS 24B-1TB30
32	388,71	B	3020	25	76,2	50,8	133,4	15,76	2,24	PHS 24B-1TB32
38	461,37	B	3030	35	76,2	76,2	139,7	24,97	3,04	PHS 24B-1TB38
40	485,60	C	3030	35	76,2	76,2	139,7	28,46	3,04	PHS 24B-1TB40
42	509,83	C	3030	35	76,2	76,2	139,7	31,95	3,04	PHS 24B-1TB42
45	546,19	C	3030	35	76,2	76,2	139,7	37,19	3,04	PHS 24B-1TB45
48	582,54	C	3030	35	76,2	76,2	139,7	42,43	3,04	PHS 24B-1TB48
50	606,78	C	3030	35	76,2	76,2	139,7	45,92	3,04	PHS 24B-1TB50
54	655,26	C	3535	35	88,9	88,9	165,1	63,32	5,18	PHS 24B-1TB54
57	691,62	C	3535	35	88,9	88,9	165,1	71,46	5,18	PHS 24B-1TB57
60	727,99	C	3535	35	88,9	88,9	165,1	79,60	5,18	PHS 24B-1TB60
68	824,97	C	3535	35	88,9	88,9	165,1	101,31	5,18	PHS 24B-1TB68
72	873,46	C	3535	35	88,9	88,9	165,1	112,17	5,18	PHS 24B-1TB72
76	921,96	C	3535	35	88,9	88,9	165,1	123,02	5,18	PHS 24B-1TB76
95	1152,33	C	4040	40	101,6	101,6	196,9	196,67	8,27	PHS 24B-1TB95
96	1164,46	C	4040	40	101,6	101,6	196,9	201,03	8,27	PHS 24B-1TB96
114	1382,72	C	4040	40	101,6	101,6	196,9	279,50	8,27	PHS 24B-1TB114



Type B



Type C



# Metric sprockets

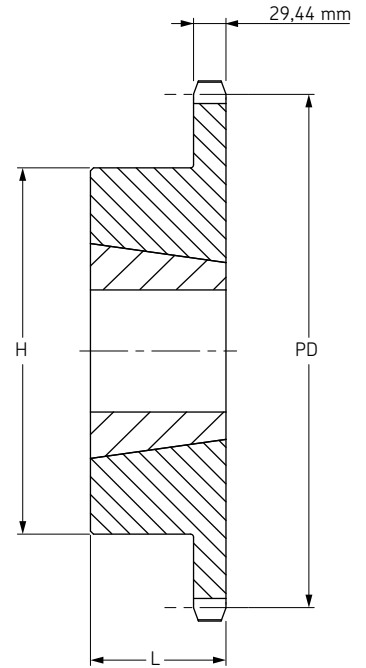
Simplex  
Taper Bushed



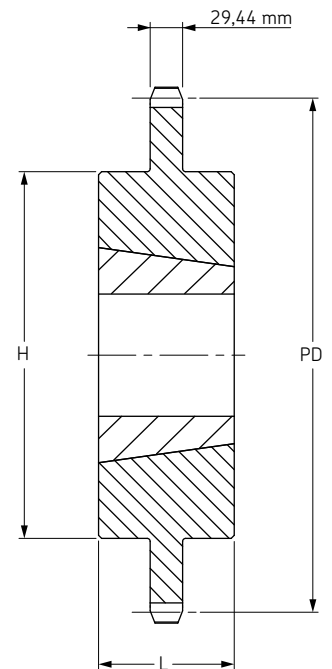
ISO 28B-1 44,45 mm Pitch

## Taper Bushed Type B/C

No. Teeth	Pitch Diameter	Type	Bushing Size	Bore		Dimensions		Weight		Designation
				min	max	L	H	Rim	Bushing	
				mm	mm	mm	mm	kg	kg	
11	157,77	B	2517	16	63,5	44,5	107,9	3,53	1,30	PHS 28B-1TB11
12	171,74	B	2517	16	63,5	44,5	107,9	3,86	1,30	PHS 28B-1TB12
13	185,75	B	3020	25	76,2	50,8	133,4	5,90	2,24	PHS 28B-1TB13
14	199,76	B	3020	25	76,2	50,8	133,4	7,04	2,24	PHS 28B-1TB14
15	213,79	B	3020	25	76,2	50,8	133,4	8,17	2,24	PHS 28B-1TB15
16	227,84	B	3020	25	76,2	50,8	133,4	9,76	2,24	PHS 28B-1TB16
17	241,91	B	3020	25	76,2	50,8	133,4	11,35	2,24	PHS 28B-1TB17
18	255,98	B	3020	25	76,2	50,8	133,4	12,49	2,24	PHS 28B-1TB18
19	270,06	B	3020	25	76,2	50,8	133,4	13,62	2,24	PHS 28B-1TB19
20	284,15	B	3020	25	76,2	50,8	133,4	14,30	2,24	PHS 28B-1TB20
21	298,24	B	3020	25	76,2	50,8	133,4	14,98	2,24	PHS 28B-1TB21
22	312,34	B	3020	25	76,2	50,8	133,4	16,91	2,24	PHS 28B-1TB22
23	326,44	B	3020	25	76,2	50,8	133,4	18,84	2,24	PHS 28B-1TB23
24	340,55	B	3020	25	76,2	50,8	133,4	20,77	2,24	PHS 28B-1TB24
25	354,66	B	3020	25	76,2	50,8	133,4	22,70	2,24	PHS 28B-1TB25
26	368,77	B	3020	25	76,2	50,8	133,4	24,63	2,24	PHS 28B-1TB26
27	382,88	B	3020	25	76,2	50,8	133,4	26,56	2,24	PHS 28B-1TB27
28	397,00	B	3020	25	76,2	50,8	133,4	28,49	2,24	PHS 28B-1TB28
30	425,24	B	3020	25	76,2	50,8	133,4	32,35	2,24	PHS 28B-1TB30
32	453,49	B	3020	25	76,2	50,8	133,4	36,21	2,24	PHS 28B-1TB32
38	538,27	B	3535	35	88,9	88,9	165,1	45,40	3,56	PHS 28B-1TB38
40	566,54	C	3535	35	88,9	88,9	165,1	47,79	3,56	PHS 28B-1TB40
42	594,82	C	3535	35	88,9	88,9	165,1	50,18	3,56	PHS 28B-1TB42
45	637,22	C	4040	40	101,6	101,6	219,1	57,35	8,27	PHS 28B-1TB45
48	679,63	C	4040	40	101,6	101,6	219,1	61,17	8,27	PHS 28B-1TB48
54	764,46	C	4040	40	101,6	101,6	219,1	68,82	8,27	PHS 28B-1TB54
57	806,90	C	4040	40	101,6	101,6	219,1	72,64	8,27	PHS 28B-1TB57
60	849,32	C	4040	40	101,6	101,6	219,1	76,44	8,27	PHS 28B-1TB60
68	962,46	C	4040	40	101,6	101,6	219,1	86,63	8,27	PHS 28B-1TB68
72	1019,05	C	4040	40	101,6	101,6	219,1	91,73	8,27	PHS 28B-1TB72
76	1075,62	C	4040	40	101,6	101,6	219,1	96,83	8,27	PHS 28B-1TB76
95	1344,37	C	4040	40	101,6	101,6	219,1	121,03	8,27	PHS 28B-1TB95



Type B



Type C



# Metric sprockets

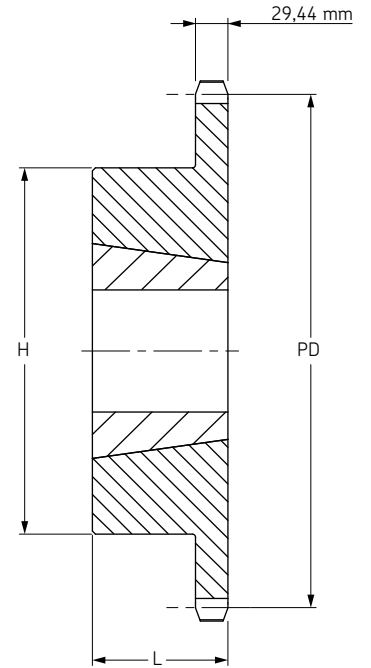
Simplex  
Taper Bushed

- ▶ ..... Belts
- ▶ ..... Chains
- ▶ ..... Couplings
- ▶ ..... Bushings and Hubs
- ▶ ..... Sprockets
- ▶ ..... Pulleys
- ▶ ..... Smart tools

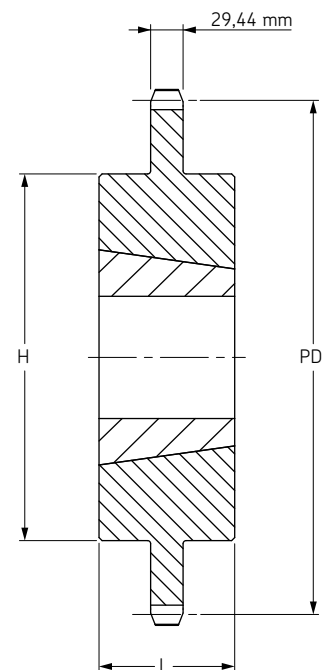
ISO 32B-1 50,80 mm Pitch

## Taper Bushed Type B/C

No. Teeth	Pitch Diameter	Type	Bushing Size	Bore		Dimensions		Weight		Designation
				min	max	L	H	Rim	Bushing	
				mm	mm	mm	mm	kg	kg	
11	180,34	B	2517	16	63,5	44,5	107,9	4,51	1,30	PHS 32B-1TB11
12	196,29	B	3020	25	76,2	50,8	133,4	5,27	2,24	PHS 32B-1TB12
13	212,29	B	3020	25	76,2	50,8	133,4	6,38	2,24	PHS 32B-1TB13
14	228,29	B	3020	25	76,2	50,8	133,4	6,87	2,24	PHS 32B-1TB14
15	244,30	B	3535	35	88,9	88,9	165,1	11,80	5,18	PHS 32B-1TB15
16	260,40	B	3535	35	88,9	88,9	165,1	13,38	5,18	PHS 32B-1TB16
17	276,40	B	3535	35	88,9	88,9	165,1	14,98	5,18	PHS 32B-1TB17
18	292,55	B	3535	35	88,9	88,9	165,1	16,12	5,18	PHS 32B-1TB18
19	308,66	B	3535	35	88,9	88,9	165,1	17,25	5,18	PHS 32B-1TB19
20	324,71	B	3535	35	88,9	88,9	165,1	21,10	5,18	PHS 32B-1TB20
21	340,82	B	3535	35	88,9	88,9	165,1	24,94	5,18	PHS 32B-1TB21
22	356,98	B	3535	35	88,9	88,9	165,1	27,79	5,18	PHS 32B-1TB22
23	373,08	B	3535	35	88,9	88,9	165,1	30,64	5,18	PHS 32B-1TB23
24	389,18	B	3535	35	88,9	88,9	165,1	33,48	5,18	PHS 32B-1TB24
25	405,33	B	3535	35	88,9	88,9	165,1	36,32	5,18	PHS 32B-1TB25
26	421,44	B	3535	35	88,9	88,9	165,1	39,16	5,18	PHS 32B-1TB26
27	437,59	B	3535	35	88,9	88,9	165,1	42,00	5,18	PHS 32B-1TB27
28	453,69	B	3535	35	88,9	88,9	165,1	44,84	5,18	PHS 32B-1TB28
30	486,00	B	3535	35	88,9	88,9	165,1	50,52	5,18	PHS 32B-1TB30
32	518,26	B	3535	35	88,9	88,9	165,1	56,20	5,18	PHS 32B-1TB32
38	615,14	B	4040	40	101,6	101,6	219,1	68,10	8,27	PHS 32B-1TB38
40	647,49	C	4040	40	101,6	101,6	219,1	77,08	8,27	PHS 32B-1TB40
45	728,26	C	4040	40	101,6	101,6	219,1	99,53	8,27	PHS 32B-1TB45
48	776,72	C	4040	40	101,6	101,6	219,1	113,01	8,27	PHS 32B-1TB48
54	873,68	C	4040	40	101,6	114,3	219,1	139,95	8,27	PHS 32B-1TB54
57	922,17	C	4545	55	114,3	114,3	247,7	136,20	9,99	PHS 32B-1TB57
60	970,63	C	4545	55	114,3	114,3	247,7	158,84	9,99	PHS 32B-1TB60
64	1035,30	C	4545	55	114,3	114,3	247,7	189,03	9,99	PHS 32B-1TB64
70	1132,29	C	4545	55	114,3	114,3	247,7	234,32	9,99	PHS 32B-1TB70



Type B



Type C



# Metric sprockets

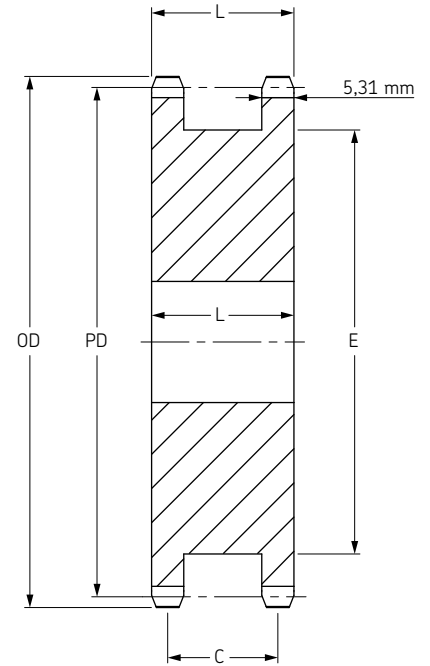
Double Simplex



ISO 06B-1 9,525 mm Pitch

## Double Simplex Type A

No. Teeth	Diameters		Type	Bore		Dimensions			Weight kg	Designation
	Outside	Pitch		min	max	L	C	E		
14	46,3	42,80	A	10	20	25,5	20,3	31	0,17	PHS 06B-1DSA14
15	49,3	45,81	A	10	23	25,5	20,3	34	0,2	PHS 06B-1DSA15
16	52,3	48,82	A	10	25	25,5	20,3	37	0,23	PHS 06B-1DSA16
17	55,3	51,83	A	12	27	25,5	20,3	40	0,27	PHS 06B-1DSA17
18	58,3	54,85	A	12	29	25,5	20,3	43	0,3	PHS 06B-1DSA18
19	61,3	57,87	A	12	31	25,5	20,3	46	0,35	PHS 06B-1DSA19
20	64,3	60,89	A	12	33	25,5	20,3	48	0,39	PHS 06B-1DSA20
21	68,0	63,91	A	15	35	25,5	20,3	52	0,44	PHS 06B-1DSA21
22	71,0	66,93	A	15	36	25,5	20,3	55	0,5	PHS 06B-1DSA22
23	73,5	69,95	A	15	38	25,5	20,3	59	0,55	PHS 06B-1DSA23
24	77,0	72,97	A	15	40	25,5	20,3	61	0,61	PHS 06B-1DSA24
25	80,0	76,02	A	15	43	25,5	20,3	65	0,67	PHS 06B-1DSA25

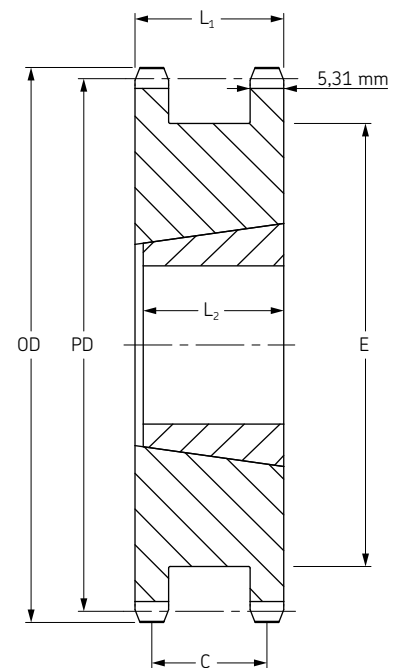


Type A

## Double Simplex Taper Bushed Type A

No. Teeth	Bushing Size	Diameters		Type	Bore		Dimensions				Weight* kg	Designation
		Outside	Pitch		min	max	L1	C	E	L2		
18	1008	58,3	54,85	A	9	25	23,5	18,17	43	22,2	0,19	PHS 06B-1DSTB18
19	1008	61,3	57,87	A	9	25	23,5	18,17	46	22,2	0,23	PHS 06B-1DSTB19
20	1108	64,3	60,89	A	9	28	23,5	18,17	48	22,2	0,25	PHS 06B-1DSTB20
21	1108	68,0	63,91	A	9	28	23,5	18,17	52	22,2	0,31	PHS 06B-1DSTB21
22	1108	71,0	66,93	A	9	28	23,5	18,17	55	22,2	0,36	PHS 06B-1DSTB22
23	1108	73,5	69,95	A	9	28	23,5	18,17	58	22,2	0,41	PHS 06B-1DSTB23
24	1108	77,0	72,97	A	9	28	23,5	18,17	61	22,2	0,47	PHS 06B-1DSTB24
25	1108	80,0	76,02	A	9	28	23,5	18,17	64	22,2	0,53	PHS 06B-1DSTB25

\* Weight for rim only



Type A Taper Bush





# Metric sprockets

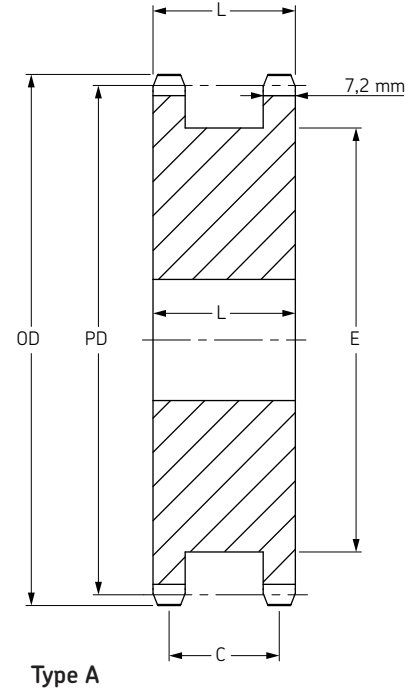
Double Simplex

- ▶ ..... Belts
- ▶ ..... Chains
- ▶ ..... Couplings
- ▶ ..... Bushings and Hubs
- ▶ ..... Sprockets
- ▶ ..... Pulleys
- ▶ ..... Smart tools

ISO 08B-1 12,70 mm Pitch

## Double Simplex Type A

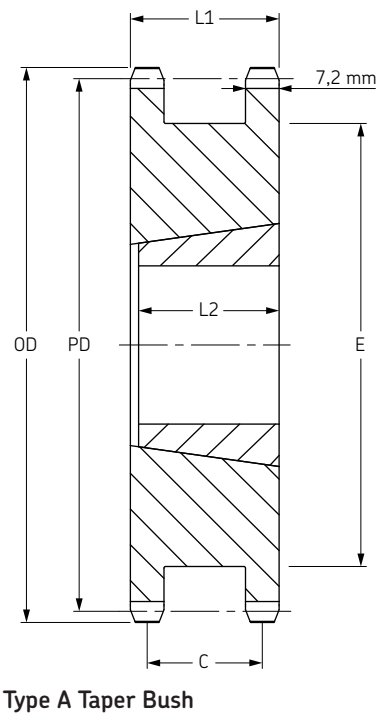
No.	Diameters		Type	Bore		Dimensions			Weight kg	Designation
	Teeth	Outside		Pitch	min	max	L	C		
12	53,0	49,07	A	10	24	32	24,8	35	0,35	PHS 08B-1DSA12
13	57,4	53,06	A	10	26	32	24,8	37	0,41	PHS 08B-1DSA13
14	61,8	57,07	A	10	27	32	24,8	41	0,49	PHS 08B-1DSA14
15	65,5	61,09	A	10	30	32	24,8	45	0,55	PHS 08B-1DSA15
16	69,5	65,1	A	12	34	32	24,8	50	0,64	PHS 08B-1DSA16
17	73,6	69,11	A	12	36	32	24,8	53	0,73	PHS 08B-1DSA17
18	77,8	73,14	A	12	38	32	24,8	58	0,82	PHS 08B-1DSA18
19	81,7	77,16	A	12	41	32	24,8	62	1,00	PHS 08B-1DSA19
20	85,8	81,18	A	12	44	32	24,8	66	1,18	PHS 08B-1DSA20
21	89,7	85,22	A	15	46	32	24,8	70	1,32	PHS 08B-1DSA21
22	93,8	89,24	A	15	48	32	24,8	74	1,36	PHS 08B-1DSA22
23	98,2	93,27	A	15	52	32	24,8	78	1,59	PHS 08B-1DSA23
24	101,8	97,29	A	15	54	32	24,8	82	1,70	PHS 08B-1DSA24
25	105,8	101,33	A	15	57	32	24,8	86	1,82	PHS 08B-1DSA25



## Double Simplex Taper Bushed Type A

No.	Bushing	Diameters		Type	Bore		Dimensions				Weight* kg	Designation
		Teeth	Size		Outside	Pitch	min	max	L1	C		
14	1008	61,8	57,07	A	9	25	35,7	28,58	41	22,2	0,32	PHS 08B-1DSTB14
15	1008	65,3	61,09	A	9	25	35,7	28,58	45	22,2	0,40	PHS 08B-1DSTB15
16	1108	69,5	65,10	A	9	28	35,7	28,58	49	22,2	0,44	PHS 08B-1DSTB16
17	1215	73,6	69,11	A	11	32	35,7	28,58	53	38,1	0,43	PHS 08B-1DSTB17
18	1215	77,8	73,14	A	11	32	35,7	28,58	58	38,1	0,46	PHS 08B-1DSTB18
19	1215	81,7	77,15	A	11	32	35,7	28,58	63	38,1	0,50	PHS 08B-1DSTB19
20	1215	85,8	81,18	A	11	32	35,7	28,58	66	38,1	0,59	PHS 08B-1DSTB20
21	1615	89,7	85,22	A	14	42	35,7	28,58	70	38,1	0,59	PHS 08B-1DSTB21
22	1615	93,8	89,24	A	14	42	35,7	28,58	74	38,1	0,64	PHS 08B-1DSTB22
23	1615	98,2	93,27	A	14	42	35,7	28,58	78	38,1	0,68	PHS 08B-1DSTB23
24	1615	101,8	97,29	A	14	42	35,7	28,58	82	38,1	0,77	PHS 08B-1DSTB24
25	2012	105,8	101,33	A	14	50	35,7	28,58	86	31,8	0,86	PHS 08B-1DSTB25

\* Weight for rim only





# Metric sprockets

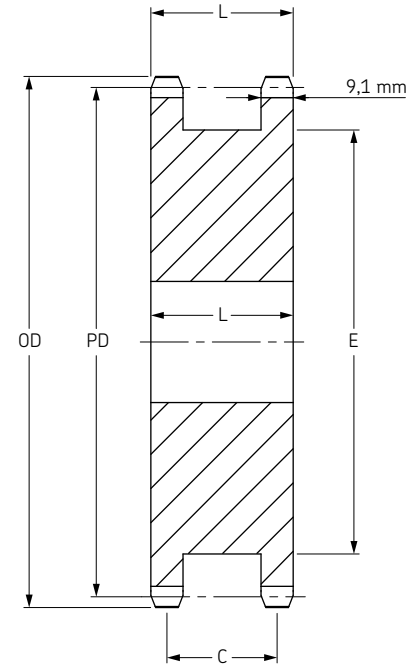
Double Simplex



ISO 10B-1 15,88 mm Pitch

## Double Simplex Type A

No.	Diameters		Type	Bore		Dimensions			Weight	Designation
	Teeth	Outside		Pitch	min	max	L	C		
12	68,0	61,34	A	15	30	37	27,9	45	0,59	PHS 10B-1DSA12
13	73,0	66,32	A	15	34	37	27,9	48	0,70	PHS 10B-1DSA13
14	78,0	71,34	A	15	36	37	27,9	55	0,83	PHS 10B-1DSA14
15	83,0	76,36	A	15	40	37	27,9	58	0,95	PHS 10B-1DSA15
16	88,0	81,37	A	15	42	37	27,9	64	1,09	PHS 10B-1DSA16
17	93,0	86,39	A	15	44	37	27,9	68	1,32	PHS 10B-1DSA17
18	98,0	91,42	A	15	47	37	27,9	73	1,50	PHS 10B-1DSA18
19	103,3	96,45	A	19	52	37	27,9	79	1,68	PHS 10B-1DSA19
20	108,4	101,49	A	19	57	37	27,9	83	1,91	PHS 10B-1DSA20
21	113,4	106,52	A	19	57	37	27,9	89	2,18	PHS 10B-1DSA21
22	118,0	111,55	A	19	61	37	27,9	93	2,41	PHS 10B-1DSA22
23	123,4	116,58	A	19	65	37	27,9	99	2,64	PHS 10B-1DSA23
24	128,3	121,62	A	19	69	37	27,9	103	2,86	PHS 10B-1DSA24
25	134,0	126,66	A	19	72	37	27,9	109	3,16	PHS 10B-1DSA25

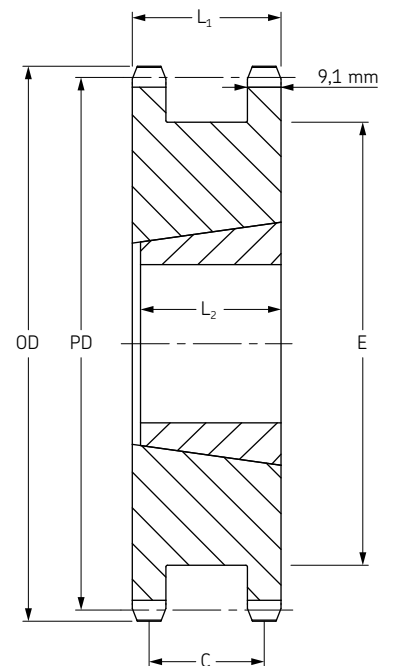


Type A

## Double Simplex Taper Bushed Type A

No.	Bushing	Diameters		Type	Bore		Dimensions				Weight*	Designation
		Teeth	Size		Outside	Pitch	min	max	L <sub>1</sub>	C		
12	1108	68,0	61,34	A	9	28	42	33,34	45	22,2	0,46	PHS 10B-1DSTB12
13	1108	73,0	66,32	A	9	28	42	33,34	50	22,2	0,56	PHS 10B-1DSTB13
14	1108	78,0	71,34	A	9	28	42	33,34	55	22,2	0,70	PHS 10B-1DSTB14
15	1215	83,0	76,36	A	11	32	42	33,34	60	38,1	0,68	PHS 10B-1DSTB15
16	1215	88,0	81,37	A	11	32	42	33,34	65	38,1	0,78	PHS 10B-1DSTB16
17	1615	93,0	86,39	A	14	42	42	33,34	68	38,1	0,82	PHS 10B-1DSTB17
18	1615	98,3	91,42	A	14	42	42	33,34	73	38,1	1,04	PHS 10B-1DSTB18
19	1615	103,3	96,42	A	14	42	42	33,34	78	38,1	1,23	PHS 10B-1DSTB19
20	1615	108,4	101,49	A	14	42	42	33,34	83	38,1	1,35	PHS 10B-1DSTB20
21	2012	113,4	106,52	A	14	50	42	33,34	88	31,8	1,50	PHS 10B-1DSTB21
22	2012	118,0	111,55	A	14	50	42	33,34	93	31,8	1,59	PHS 10B-1DSTB22
23	2012	123,4	116,58	A	14	50	42	33,34	98	31,8	1,68	PHS 10B-1DSTB23
24	2012	128,3	121,62	A	14	50	42	33,34	103	31,8	1,77	PHS 10B-1DSTB24
25	2012	134,0	126,66	A	14	50	42	33,34	108	31,8	1,86	PHS 10B-1DSTB25

\* Weight for rim only



Type A Taper Bush



# Metric sprockets

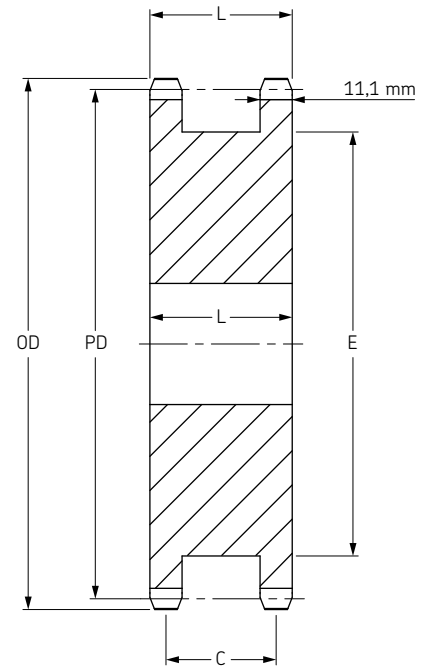
Double Simplex

- ▶ ..... Belts
- ▶ ..... Chains
- ▶ ..... Couplings
- ▶ ..... Bushings and Hubs
- ▶ ..... Sprockets
- ▶ ..... Pulleys
- ▶ ..... Smart tools

ISO 12B-1 19,05 mm Pitch

## Double Simplex Type A

No.	Diameters			Type	Bore		Dimensions			Weight kg	Designation
	Teeth	Outside	Pitch		min	max	L	C	E		
12	81,5	73,61	A	20	35	45	33,9	53	1,08	PHS 12B-1DSA12	
13	87,5	79,59	A	20	38	45	33,9	59	1,29	PHS 12B-1DSA13	
14	93,6	85,62	A	20	42	45	33,9	65	1,52	PHS 12B-1DSA14	
15	99,8	91,61	A	20	38	45	33,9	71	1,73	PHS 12B-1DSA15	
16	105,5	97,63	A	20	46	45	33,9	77	2,09	PHS 12B-1DSA16	
17	111,5	103,67	A	20	55	45	33,9	71	2,41	PHS 12B-1DSA17	
18	118,0	109,71	A	20	58	45	33,9	88	2,95	PHS 12B-1DSA18	
19	124,2	115,75	A	20	62	45	33,9	71	3,09	PHS 12B-1DSA19	
20	129,7	121,78	A	24	65	45	33,9	100	3,30	PHS 12B-1DSA20	
21	136,0	127,82	A	24	70	45	33,9	71	3,62	PHS 12B-1DSA21	
22	141,8	133,86	A	24	73	45	33,9	112	4,00	PHS 12B-1DSA22	
23	149,0	139,90	A	24	77	45	33,9	71	4,60	PHS 12B-1DSA23	
24	153,9	145,94	A	24	81	45	33,9	124	4,95	PHS 12B-1DSA24	
25	160,3	151,94	A	24	85	45	33,9	71	5,30	PHS 12B-1DSA25	

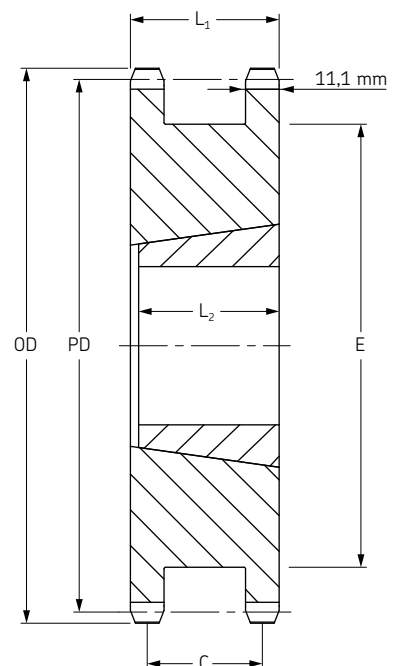


Type A

## Double Simplex Taper Bushed Type A

No.	Bushing Size	Diameters		Type	Bore		Dimensions				Weight* kg	Designation
		Outside	Pitch		min	max	L <sub>1</sub>	C	E	L <sub>2</sub>		
12	1215	81,5	73,61	A	11	32	49,2	38,1	53	38,1	0,95	PHS 12B-1DSTB12
13	1215	87,5	79,59	A	11	32	49,2	38,1	59	38,1	1,19	PHS 12B-1DSTB13
14	1215	93,6	85,62	A	11	32	49,2	38,1	65	38,1	1,32	PHS 12B-1DSTB14
15	1615	99,8	91,61	A	14	42	49,2	38,1	72	38,1	1,44	PHS 12B-1DSTB15
16	1615	105,5	97,63	A	14	42	49,2	38,1	77	38,1	1,74	PHS 12B-1DSTB16
17	1615	111,5	103,67	A	14	42	49,2	38,1	82	38,1	2,05	PHS 12B-1DSTB17
18	2012	118,0	109,71	A	14	50	49,2	38,1	88	31,8	2,27	PHS 12B-1DSTB18
19	2012	124,2	115,75	A	14	50	49,2	38,1	94	31,8	2,64	PHS 12B-1DSTB19
20	2517	129,7	121,78	A	16	65	49,2	38,1	100	44,5	2,55	PHS 12B-1DSTB20
21	2517	136,0	127,82	A	16	65	49,2	38,1	106	44,5	2,91	PHS 12B-1DSTB21
22	2517	141,8	133,86	A	16	65	49,2	38,1	112	44,5	3,11	PHS 12B-1DSTB22
23	2517	149,0	139,90	A	16	65	49,2	38,1	118	44,5	3,32	PHS 12B-1DSTB23
24	2517	153,9	145,94	A	16	65	49,2	38,1	124	44,5	3,53	PHS 12B-1DSTB24
25	2517	160,3	151,94	A	16	65	49,2	38,1	130	44,5	3,73	PHS 12B-1DSTB25

\* Weight for rim only

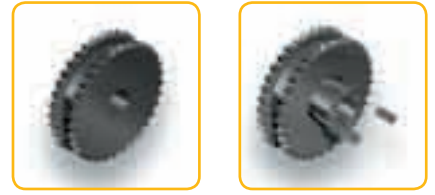


Type A Taper Bush



# Metric sprockets

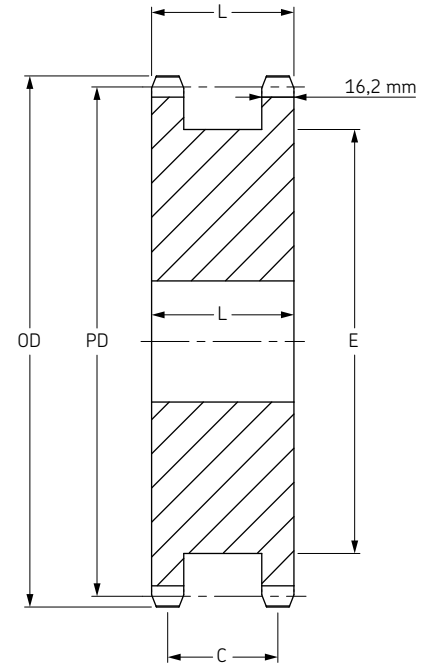
Double Simplex



ISO 16B-1 25,40 mm Pitch

## Double Simplex Type A

No.	Diameters		Type	Bore		Dimensions			Weight	Designation
	Teeth	Outside		Pitch	min	max	L	C		
12	109,0	98,14	A	24	46	64	47,8	72	2,48	PHS 16B-1DSA12
13	117,0	106,12	A	24	50	64	47,8	78	3,09	PHS 16B-1DSA13
14	125,0	114,15	A	24	57	64	47,8	84	3,70	PHS 16B-1DSA14
15	133,0	122,17	A	24	60	64	47,8	95	4,35	PHS 16B-1DSA15
16	141,0	130,20	A	24	68	64	47,8	101	5,00	PHS 16B-1DSA16
17	149,0	138,22	A	24	71	64	47,8	111	5,75	PHS 16B-1DSA17
18	157,0	146,28	A	24	79	64	47,8	117	6,50	PHS 16B-1DSA18
19	165,2	154,33	A	24	82	64	47,8	127	7,40	PHS 16B-1DSA19
20	173,2	162,38	A	24	88	64	47,8	134	8,30	PHS 16B-1DSA20
21	181,2	170,43	A	24	95	64	47,8	143	9,20	PHS 16B-1DSA21
22	189,3	178,48	A	24	100	64	47,8	151	10,15	PHS 16B-1DSA22
23	197,5	186,59	A	24	107	64	47,8	160	11,20	PHS 16B-1DSA23
24	205,5	194,59	A	24	111	64	47,8	168	12,80	PHS 16B-1DSA24
25	213,5	178,49	A	24	115	64	47,8	176	14,40	PHS 16B-1DSA25

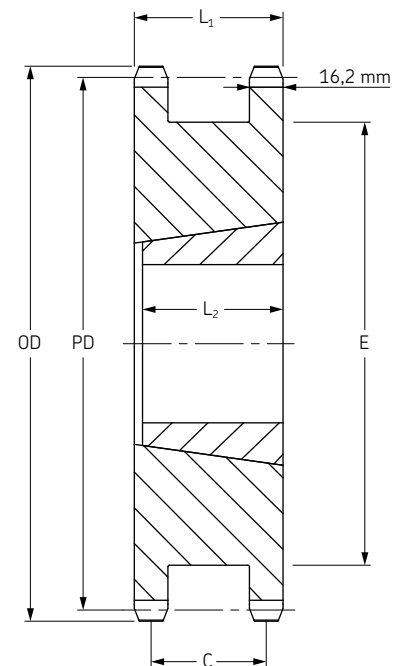


Type A

## Double Simplex Taper Bushed Type A

No.	Bushing	Diameters		Type	Bore		Dimensions				Weight*	Designation
		Teeth	Size		Outside	Pitch	min	max	L <sub>1</sub>	C		
12	1615	109,0	98,14	A	14	42	63,5	46,5	72	38,1	1,92	PHS 16B-1DSTB12
13	1615	117,0	106,12	A	14	42	63,5	46,5	80	38,1	2,53	PHS 16B-1DSTB13
14	2012	125,0	114,15	A	14	50	63,5	46,5	88	31,8	2,53	PHS 16B-1DSTB14
15	2012	133,0	122,17	A	14	50	63,5	46,5	96	31,8	3,10	PHS 16B-1DSTB15
16	2012	141,0	130,20	A	14	50	63,5	46,5	104	31,8	3,68	PHS 16B-1DSTB16
17	2517	149,0	138,22	A	16	65	63,5	46,5	112	44,5	3,89	PHS 16B-1DSTB17
18	2517	157,0	146,28	A	16	65	63,5	46,5	120	44,5	4,65	PHS 16B-1DSTB18
19	3020	165,2	154,33	A	25	75	63,5	46,5	128	50,8	4,50	PHS 16B-1DSTB19
20	3020	173,2	162,38	A	25	75	63,5	46,5	135	50,8	5,10	PHS 16B-1DSTB20
21	3020	181,2	170,43	A	25	75	63,5	46,5	142	50,8	6,00	PHS 16B-1DSTB21
22	3020	189,3	178,48	A	25	75	63,5	46,5	151	50,8	6,20	PHS 16B-1DSTB22
23	3525	197,5	186,59	A	35	90	63,5	46,5	160	63,5	7,15	PHS 16B-1DSTB23
24	3525	205,5	194,59	A	35	90	63,5	46,5	167	63,5	8,10	PHS 16B-1DSTB24
25	3525	213,5	178,49	A	35	90	63,5	46,5	175	63,5	9,00	PHS 16B-1DSTB25

\* Weight for rim only



Type A Taper Bush



# Metric sprockets

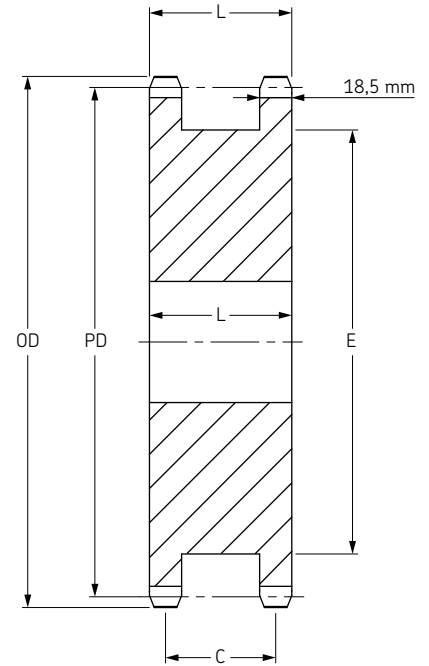
Double Simplex

- ▶ ..... Belts
- ▶ ..... Chains
- ▶ ..... Couplings
- ▶ ..... Bushings and Hubs
- ▶ ..... Sprockets
- ▶ ..... Pulleys
- ▶ ..... Smart tools

31,75 mm Pitch ISO 20B-1

## Double Simplex Type A

No.	Diameters		Type	Bore		Dimensions			Weight kg	Designation
	Teeth	Outside		Pitch	min	max	L	C		
13	147,83	132,66	A	25	63,50	68,3	49,8	96	5,09	PHS 20B-1DSA13
14	158,24	142,67	A	25	69,85	68,3	49,8	106	6,14	PHS 20B-1DSA14
15	168,40	152,70	A	32	77,79	68,3	49,8	116	7,64	PHS 20B-1DSA15
16	178,56	162,74	A	32	82,55	68,3	49,8	114	8,77	PHS 20B-1DSA16
17	188,98	172,80	A	32	92,08	68,3	49,8	124	9,77	PHS 20B-1DSA17
18	199,14	182,83	A	32	95,25	68,3	49,8	134	10,45	PHS 20B-1DSA18
19	209,30	192,91	A	32	106,36	68,3	49,8	157	11,36	PHS 20B-1DSA19
20	219,46	202,97	A	32	106,36	68,3	49,8	167	12,05	PHS 20B-1DSA20
21	229,62	213,03	A	32	133,35	68,3	49,8	177	13,18	PHS 20B-1DSA21

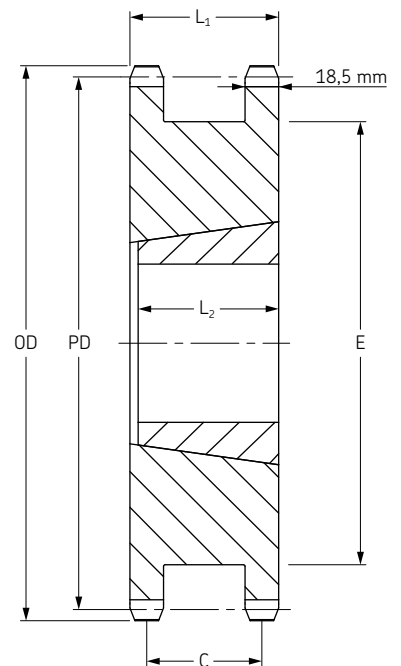


Type A

## Double Simplex Taper Bushed Type A

No.	Bushing	Diameters		Type	Bore		Dimensions				Weight* kg	Designation
		Teeth	Size		Outside	Pitch	min	max	L <sub>1</sub>	C		
15	2517	167,90	152,72	A	16	60	68,3	49,8	115	44,5	4,20	PHS 20B-1DSTB15
16	2517	177,90	162,75	A	16	60	68,3	49,8	127	44,5	5,91	PHS 20B-1DSTB16
17	3020	172,80	172,78	A	25	75	68,3	49,8	137	50,8	6,36	PHS 20B-1DSTB17
18	3020	182,83	182,85	A	25	75	68,3	49,8	147	50,8	7,27	PHS 20B-1DSTB18
19	3020	192,91	192,91	A	25	75	68,3	49,8	157	50,8	9,09	PHS 20B-1DSTB19
20	3020	218,10	202,98	A	25	75	68,3	49,8	167	50,8	10,85	PHS 20B-1DSTB20
21	3020	228,28	213,03	A	25	75	68,3	49,8	177	50,8	12,50	PHS 20B-1DSTB21
15	2517	167,90	152,72	A	16	60	68,3	49,8	115	44,5	4,20	PHS 20B-1DSTB15
16	2517	177,90	162,75	A	16	60	68,3	49,8	127	44,5	5,91	PHS 20B-1DSTB16
17	3020	172,80	172,78	A	25	75	68,3	49,8	137	50,8	6,36	PHS 20B-1DSTB17
18	3020	182,83	182,85	A	25	75	68,3	49,8	147	50,8	7,27	PHS 20B-1DSTB18
19	3020	192,91	192,91	A	25	75	68,3	49,8	157	50,8	9,09	PHS 20B-1DSTB19
20	3020	218,10	202,98	A	25	75	68,3	49,8	167	50,8	10,85	PHS 20B-1DSTB20
21	3020	228,28	213,03	A	25	75	68,3	49,8	177	50,8	12,50	PHS 20B-1DSTB21

\* Weight for rim only



Type A Taper Bush

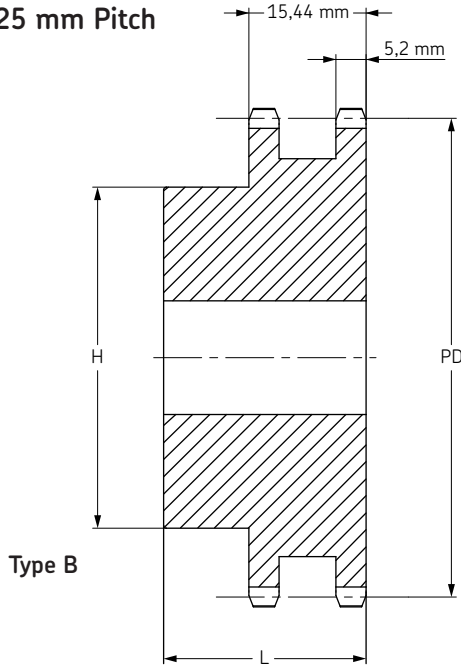


# Metric sprockets

Duplex  
Standard



ISO 06B-2 9,525 mm Pitch

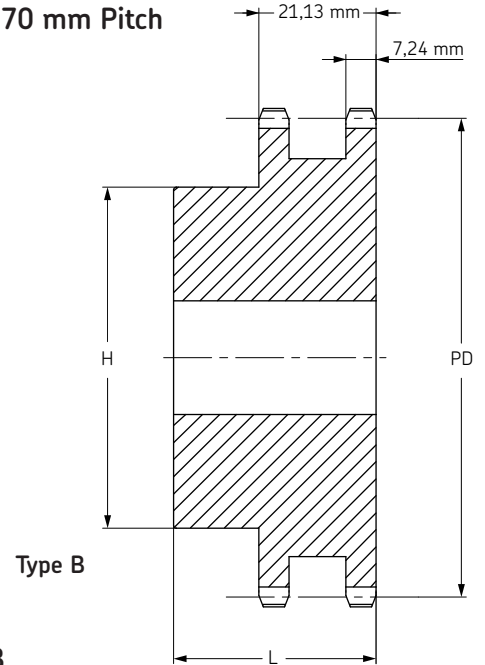


Pilot bore Type B

No. Teeth	Pitch Diameter	Type	Bore		Hub		Weight	Designation
			min	max	H	L		
			mm	mm	mm	mm		
12	36,80	B	10	12	25	25	0,11	PHS 06B-2B12
13	39,79	B	10	12	28	25	0,14	PHS 06B-2B13
14	42,80	B	10	18	31	25	0,17	PHS 06B-2B14
15	45,81	B	10	18	34	25	0,20	PHS 06B-2B15
16	48,82	B	12	20	37	30	0,26	PHS 06B-2B16
17	51,83	B	12	23	40	30	0,32	PHS 06B-2B17
18	54,85	B	12	25	43	30	0,37	PHS 06B-2B18
19	57,87	B	12	28	46	30	0,42	PHS 06B-2B19
20	60,89	B	12	25	49	30	0,48	PHS 06B-2B20
21	63,91	B	12	30	52	30	0,54	PHS 06B-2B21
22	66,93	B	12	28	55	30	0,61	PHS 06B-2B22
23	69,95	B	12	35	58	30	0,67	PHS 06B-2B23
24	72,97	B	12	32	61	30	0,74	PHS 06B-2B24
25	76,00	B	12	40	64	30	0,81	PHS 06B-2B25
26	79,02	B	12	32	67	30	0,92	PHS 06B-2B26
27	82,05	B	12	40	70	30	0,97	PHS 06B-2B27
28	85,07	B	12	32	73	30	1,08	PHS 06B-2B28
29	88,09	B	12	32	76	30	1,15	PHS 06B-2B29
30	91,12	B	12	40	79	30	1,23	PHS 06B-2B30
32	97,17	B	16	52	80	30	1,38	PHS 06B-2B32
35	106,26	B	16	52	80	30	1,61	PHS 06B-2B35
36	109,29	B	16	60	90	30	1,69	PHS 06B-2B36
38	115,35	B	16	50	90	30	1,84	PHS 06B-2B38
40	121,40	B	16	52	90	30	2,00	PHS 06B-2B40
42	127,46	B	16	60	90	40	2,15	PHS 06B-2B42
45	136,55	B	16	50	90	40	2,01	PHS 06B-2B45
48	145,64	B	16	60	90	40	2,61	PHS 06B-2B48
52	157,75	B	16	60	90	40	2,92	PHS 06B-2B52
57	172,91	B	16	50	90	40	2,34	PHS 06B-2B57
60	182,00	B	16	60	90	40	3,53	PHS 06B-2B60
68	206,24	B	16	60	90	40	4,14	PHS 06B-2B68
70	212,30	B	16	60	90	40	4,30	PHS 06B-2B70
72	218,37	B	16	60	90	40	4,45	PHS 06B-2B72
76	230,49	B	16	50	90	40	3,35	PHS 06B-2B76
84	254,74	B	16	60	90	40	5,37	PHS 06B-2B84
95	288,08	B	16	62	90	40	6,21	PHS 06B-2B95
96	291,11	B	16	62	90	40	6,29	PHS 06B-2B96
114	345,68	B	16	62	90	40	7,67	PHS 06B-2B114

Maximum bores can accommodate standard keyways. Larger bores are available where a shallow keyway is used or no keyway is required.

ISO 08B-2 12,70 mm Pitch



Pilot bore Type B

No. Teeth	Pitch Diameter	Type	Bore		Hub		Weight	Designation
			min	max	H	L		
			mm	mm	mm	mm		
10	41,10	B	10	18	28	32	0,15	PHS 08B-2B10
11	45,07	B	12	21	32	35	0,22	PHS 08B-2B11
12	49,07	B	12	19	35	35	0,29	PHS 08B-2B12
13	53,06	B	12	21	38	35	0,36	PHS 08B-2B13
14	57,07	B	12	28	42	35	0,44	PHS 08B-2B14
15	61,09	B	12	28	46	35	0,52	PHS 08B-2B15
16	65,10	B	14	33	50	35	0,61	PHS 08B-2B16
17	69,11	B	14	30	54	35	0,70	PHS 08B-2B17
18	73,14	B	14	38	58	35	0,81	PHS 08B-2B18
19	77,16	B	14	40	62	35	0,91	PHS 08B-2B19
20	81,19	B	14	40	66	35	1,10	PHS 08B-2B20
21	85,22	B	16	40	70	40	1,29	PHS 08B-2B21
22	89,24	B	16	45	70	40	1,37	PHS 08B-2B22
23	93,27	B	16	50	70	40	1,46	PHS 08B-2B23
24	97,29	B	16	50	75	40	1,64	PHS 08B-2B24
25	101,33	B	16	50	80	40	1,83	PHS 08B-2B25
26	105,36	B	16	56	85	40	1,96	PHS 08B-2B26
27	109,40	B	16	50	85	40	2,09	PHS 08B-2B27
28	113,42	B	16	60	90	40	2,31	PHS 08B-2B28
29	117,46	B	16	62	95	40	2,53	PHS 08B-2B29
30	121,50	B	16	50	100	40	2,75	PHS 08B-2B30
32	129,56	B	20	64	100	40	3,08	PHS 08B-2B32
34	137,64	B	20	64	100	40	3,24	PHS 08B-2B34
35	141,68	B	20	64	100	40	3,41	PHS 08B-2B35
36	145,72	B	20	73	100	40	3,74	PHS 08B-2B36
38	153,80	B	20	55	100	40	4,08	PHS 08B-2B38
40	161,87	B	20	73	100	50	4,00	PHS 08B-2B40
42	169,95	B	20	73	108	50	3,90	PHS 08B-2B42
45	182,07	B	20	55	108	50	3,70	PHS 08B-2B45
48	194,18	B	20	73	108	50	4,10	PHS 08B-2B48
54	218,43	B	20	73	108	50	4,70	PHS 08B-2B54
57	230,54	B	20	55	108	50	5,01	PHS 08B-2B57
60	242,66	B	20	73	108	50	5,34	PHS 08B-2B60
68	274,99	B	20	73	108	55	5,68	PHS 08B-2B68
72	291,16	B	20	73	108	55	6,02	PHS 08B-2B72
76	307,33	B	20	60	108	55	6,36	PHS 08B-2B76
84	339,65	B	20	80	120	55	8,31	PHS 08B-2B84
95	384,10	B	20	60	110	55	10,26	PHS 08B-2B95
96	388,15	B	20	80	110	55	11,00	PHS 08B-2B96
114	460,90	B	20	80	110	55	12,45	PHS 08B-2B114

Maximum bores can accommodate standard keyways. Larger bores are available where a shallow keyway is used or no keyway is required.



# Metric sprockets

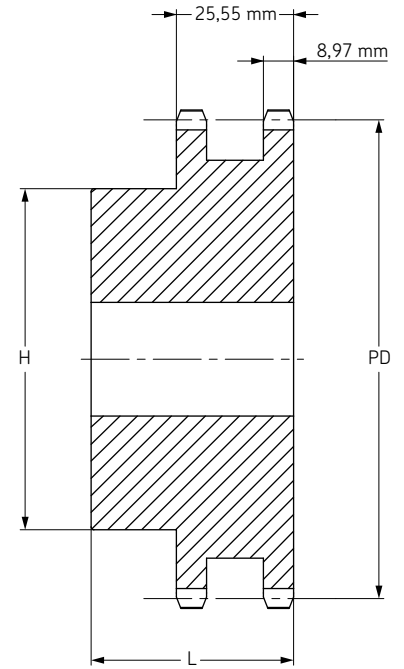
Duplex  
Standard

- ▶ ..... Belts
- ▶ ..... Chains
- ▶ ..... Couplings
- ▶ ..... Bushings and Hubs
- ▶ ..... Sprockets
- ▶ ..... Pulleys
- ▶ ..... Smart tools

ISO 10B-2 15,88 mm Pitch

## Pilot bore Type B

No. Teeth	Pitch Diameter	Type	Bore		Hub		Weight	Designation
			min	max	H	L		
			mm	mm	mm	mm		
11	56,34	B	14	24	39	40	0,45	PHS 10B-2B11
12	61,34	B	14	25	44	40	0,57	PHS 10B-2B12
13	66,32	B	14	29	49	40	0,70	PHS 10B-2B13
14	71,34	B	14	35	54	40	0,84	PHS 10B-2B14
15	76,36	B	14	35	59	40	0,99	PHS 10B-2B15
16	81,37	B	16	40	64	45	1,23	PHS 10B-2B16
17	86,39	B	16	40	69	45	1,47	PHS 10B-2B17
18	91,42	B	16	48	74	45	1,68	PHS 10B-2B18
19	96,45	B	16	46	79	45	1,90	PHS 10B-2B19
20	101,49	B	16	56	84	45	2,10	PHS 10B-2B20
21	106,52	B	16	55	85	45	2,31	PHS 10B-2B21
22	111,55	B	16	60	90	45	2,58	PHS 10B-2B22
23	116,58	B	16	55	95	45	2,85	PHS 10B-2B23
24	121,62	B	16	64	100	45	3,14	PHS 10B-2B24
25	126,66	B	16	55	105	45	3,44	PHS 10B-2B25
26	131,70	B	20	73	110	45	3,69	PHS 10B-2B26
27	136,75	B	20	55	110	45	3,95	PHS 10B-2B27
28	141,78	B	20	76	115	45	4,25	PHS 10B-2B28
29	146,83	B	20	76	115	45	4,55	PHS 10B-2B29
30	151,87	B	20	58	120	45	4,87	PHS 10B-2B30
32	161,95	B	20	80	120	45	4,95	PHS 10B-2B32
35	177,10	B	20	80	120	45	5,08	PHS 10B-2B35
36	182,15	B	20	80	120	45	5,11	PHS 10B-2B36
38	192,24	B	20	58	120	45	5,20	PHS 10B-2B38
40	202,34	B	20	80	120	45	5,41	PHS 10B-2B40
45	227,58	B	20	60	120	50	5,94	PHS 10B-2B45
48	242,73	B	20	80	120	50	7,27	PHS 10B-2B48
57	288,18	B	20	60	120	50	8,61	PHS 10B-2B57
60	303,32	B	20	85	120	57	9,30	PHS 10B-2B60
70	353,84	B	20	85	120	57	9,99	PHS 10B-2B70
76	384,16	B	20	85	120	57	10,68	PHS 10B-2B76
80	404,35	B	20	85	130	58	11,00	PHS 10B-2B80
95	480,14	B	20	85	130	58	12,00	PHS 10B-2B95
114	576,13	B	20	85	130	58	13,00	PHS 10B-2B114



Type B

Maximum bores can accommodate standard keyways. Larger bores are available where a shallow keyway is used or no keyway is required.



# Metric sprockets

Duplex  
Standard

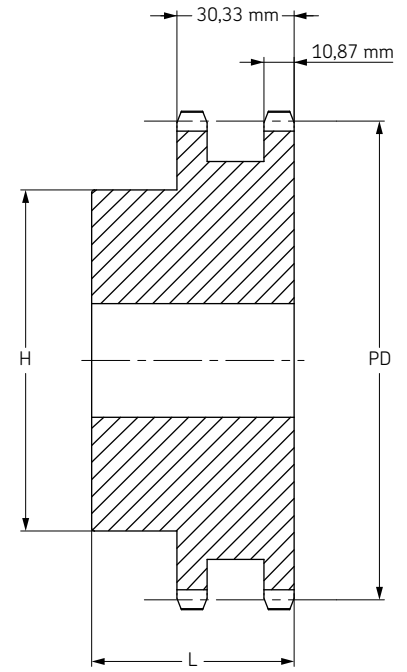


ISO 12B-2 19,05 mm Pitch

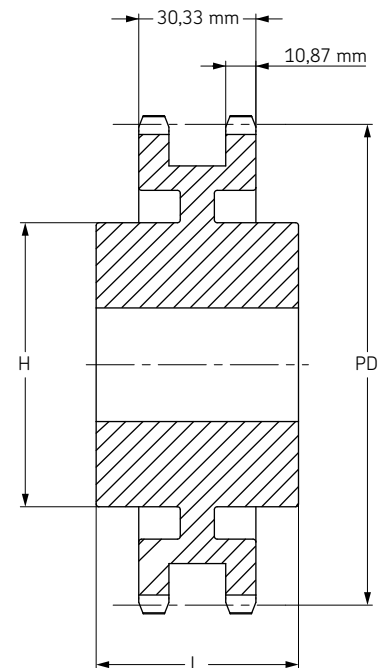
## Pilot bore Type B/C

No. Teeth	Pitch Diameter	Type	Bore		Hub		Weight	Designation
			min	max	H	L		
			mm	mm	mm	mm		
10	61,65	B	12	32	42	45	0,57	PHS 12B-2B10
11	67,61	B	16	32	47	50	0,80	PHS 12B-2B11
12	73,61	B	16	32	53	50	1,03	PHS 12B-2B12
13	79,59	B	16	36	59	50	1,26	PHS 12B-2B13
14	85,61	B	16	42	65	50	1,52	PHS 12B-2B14
15	91,63	B	16	44	71	50	1,78	PHS 12B-2B15
16	97,65	B	20	51	77	50	2,08	PHS 12B-2B16
17	103,67	B	20	55	83	50	2,37	PHS 12B-2B17
18	109,71	B	20	60	89	50	2,72	PHS 12B-2B18
19	115,75	B	20	55	95	50	3,07	PHS 12B-2B19
20	121,78	B	20	64	100	50	3,39	PHS 12B-2B20
21	127,82	B	20	60	100	50	3,70	PHS 12B-2B21
22	133,86	B	20	64	100	50	4,11	PHS 12B-2B22
23	139,90	B	20	60	110	50	4,52	PHS 12B-2B23
24	145,94	B	20	73	110	50	4,96	PHS 12B-2B24
25	152,00	B	20	60	120	50	5,39	PHS 12B-2B25
26	158,04	B	20	80	120	50	5,74	PHS 12B-2B26
27	164,09	B	20	60	120	50	6,09	PHS 12B-2B27
28	170,13	B	20	80	120	50	6,45	PHS 12B-2B28
30	182,25	B	20	60	120	50	7,17	PHS 12B-2B30
32	194,36	B	20	85	120	50	8,41	PHS 12B-2B32
35	212,52	B	20	85	120	50	9,70	PHS 12B-2B35
36	218,58	B	25	85	120	50	10,12	PHS 12B-2B36
38	230,69	B	25	65	120	50	10,98	PHS 12B-2B38
40	242,81	B	25	85	120	50	11,84	PHS 12B-2B40
45	273,10	B	25	65	136	62	10,58	PHS 12B-2B45
48	291,27	B	25	85	136	62	15,26	PHS 12B-2B48
57	345,81	B	25	70	136	62	11,72	PHS 12B-2B57
60	363,99	B	25	85	136	62	20,40	PHS 12B-2B60
68	412,49	C	25	85	140	63	23,83	PHS 12B-2C68
76	460,99	C	25	80	140	63	18,50	PHS 12B-2C76
80	485,22	C	25	85	140	63	28,97	PHS 12B-2C80
95	576,17	C	25	93	140	63	35,39	PHS 12B-2C95
96	582,23	C	25	93	140	63	35,82	PHS 12B-2C96
114	691,36	C	25	93	140	63	43,53	PHS 12B-2C114

Maximum bores can accommodate standard keyways. Larger bores are available where a shallow keyway is used or no keyway is required.



Type B



Type C





# Metric sprockets

Duplex  
Standard

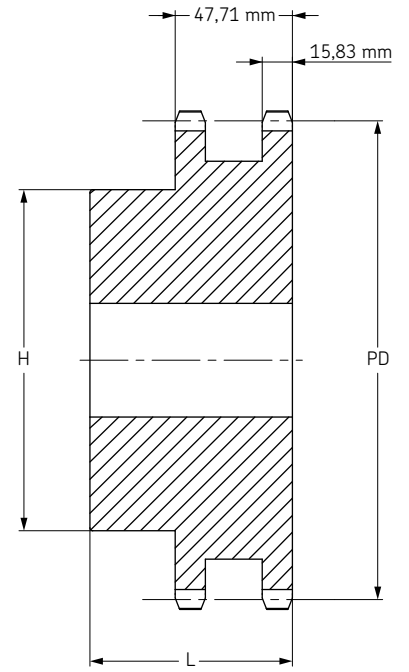
- ▶ ..... Belts
- ▶ ..... Chains
- ▶ ..... Couplings
- ▶ ..... Bushings and Hubs
- ▶ ..... Sprockets
- ▶ ..... Pulleys
- ▶ ..... Smart tools

ISO 16B-2 25,40 mm Pitch

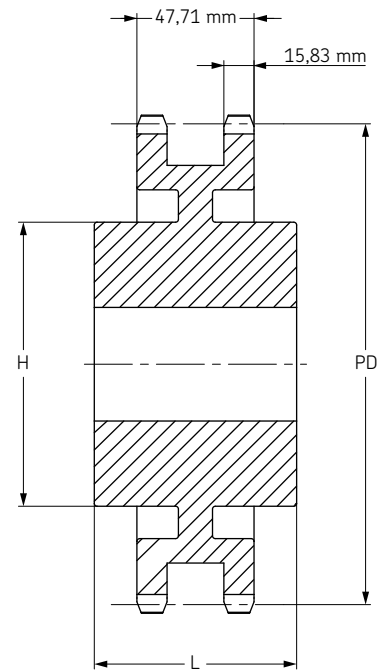
## Pilot bore Type B/C

No. Teeth	Pitch Diameter	Type	Bore		Hub		Weight	Designation
			min	max	H	L		
			mm	mm	mm	mm		
11	90,14	B	20	42	64	70	1,86	PHS 16B-2B11
12	98,14	B	20	45	72	70	2,54	PHS 16B-2B12
13	106,12	B	20	48	80	70	3,22	PHS 16B-2B13
14	114,15	B	20	53	88	70	3,90	PHS 16B-2B14
15	122,17	B	20	58	96	70	4,58	PHS 16B-2B15
16	130,20	B	20	66	104	70	5,35	PHS 16B-2B16
17	138,22	B	20	70	112	70	6,12	PHS 16B-2B17
18	146,28	B	20	80	120	70	7,02	PHS 16B-2B18
19	154,33	B	20	70	128	70	7,91	PHS 16B-2B19
20	162,38	B	20	85	130	70	8,59	PHS 16B-2B20
21	170,43	B	25	75	130	70	9,26	PHS 16B-2B21
22	178,48	B	25	85	130	70	10,05	PHS 16B-2B22
23	186,53	B	25	75	130	70	10,84	PHS 16B-2B23
24	194,59	B	25	85	130	70	11,70	PHS 16B-2B24
25	202,66	B	25	75	130	70	12,56	PHS 16B-2B25
26	210,72	B	25	85	130	70	13,52	PHS 16B-2B26
27	218,79	B	25	75	130	70	14,48	PHS 16B-2B27
28	226,85	B	25	85	130	70	15,49	PHS 16B-2B28
29	234,92	B	25	85	130	70	16,51	PHS 16B-2B29
30	243,00	B	25	75	130	70	17,52	PHS 16B-2B30
32	259,13	B	25	95	140	70	20,13	PHS 16B-2B32
35	283,36	B	25	95	140	70	24,04	PHS 16B-2B35
36	291,44	B	25	95	140	70	25,34	PHS 16B-2B36
38	307,59	B	25	75	140	70	27,95	PHS 16B-2B38
42	339,90	B	25	95	140	70	32,35	PHS 16B-2B42
45	364,13	C	25	85	140	70	22,00	PHS 16B-2C45
57	461,07	C	25	85	150	85	34,50	PHS 16B-2C57
60	485,32	C	25	95	150	85	52,14	PHS 16B-2C60
68	549,98	C	25	96	160	90	60,93	PHS 16B-2C68
76	614,65	C	25	100	160	90	51,50	PHS 16B-2C76
80	646,96	C	25	102	160	90	74,13	PHS 16B-2C80
95	768,22	C	25	100	160	90	90,62	PHS 16B-2C95
114	921,81	C	25	102	160	90	111,51	PHS 16B-2C114

Maximum bores can accommodate standard keyways. Larger bores are available where a shallow keyway is used or no keyway is required.



Type B



Type C



# Metric sprockets

Duplex  
Standard

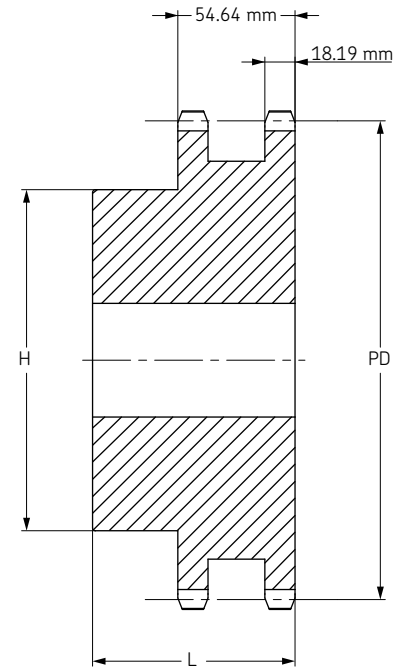


ISO 20B-2 31,75 mm Pitch

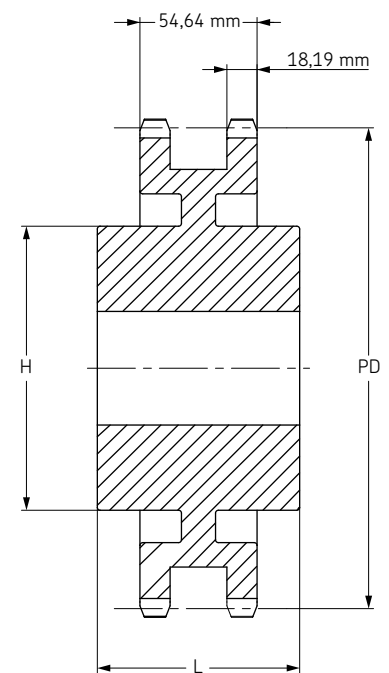
## Pilot bore Type B/C

No. Teeth	Pitch Diameter	Type	Bore		Hub		Weight	Designation
			min	max	H	L		
			mm	mm	mm	mm		
10	102,75	B	20	45	70	75	2,90	PHS 20B-2B10
11	112,70	B	20	52	80	80	3,67	PHS 20B-2B11
12	122,67	B	20	60	90	80	4,31	PHS 20B-2B12
13	132,67	B	20	64	100	80	5,53	PHS 20B-2B13
14	142,68	B	20	73	110	80	6,62	PHS 20B-2B14
15	152,71	B	20	80	120	80	7,76	PHS 20B-2B15
16	162,75	B	25	80	120	80	9,12	PHS 20B-2B16
17	172,79	B	25	80	120	80	10,44	PHS 20B-2B17
18	182,84	B	25	80	120	80	11,71	PHS 20B-2B18
19	192,90	B	25	80	120	80	12,92	PHS 20B-2B19
20	202,96	B	25	80	120	80	15,43	PHS 20B-2B20
21	213,03	B	25	92	140	80	16,55	PHS 20B-2B21
22	223,10	B	25	92	140	80	17,70	PHS 20B-2B22
23	233,17	B	25	92	140	80	19,05	PHS 20B-2B23
24	243,25	B	25	96	140	80	20,43	PHS 20B-2B24
25	253,32	B	25	96	140	80	21,77	PHS 20B-2B25
26	263,41	B	25	96	150	80	23,15	PHS 20B-2B26
27	273,49	B	25	96	150	80	24,97	PHS 20B-2B27
28	283,57	B	25	96	150	80	26,78	PHS 20B-2B28
30	303,75	B	25	96	150	80	30,41	PHS 20B-2B30
32	323,92	B	25	96	150	80	32,22	PHS 20B-2B32
35	354,20	C	25	100	150	80	34,02	PHS 20B-2C35
36	364,29	C	30	100	150	80	34,70	PHS 20B-2C36
38	384,48	C	30	100	150	80	43,72	PHS 20B-2C38
42	424,86	C	30	100	160	90	43,55	PHS 20B-2C42
45	455,15	C	30	100	160	90	46,72	PHS 20B-2C45
57	576,35	C	30	100	160	100	64,10	PHS 20B-2C57
60	606,66	C	30	125	160	100	79,38	PHS 20B-2C60
68	687,48	C	30	125	180	100	87,74	PHS 20B-2C68
76	768,30	C	30	125	180	100	96,11	PHS 20B-2C76
80	808,71	C	30	125	180	100	100,30	PHS 20B-2C80
95	960,28	C	30	125	180	100	115,98	PHS 20B-2C95
114	1152,26	C	30	125	180	100	135,85	PHS 20B-2C114

Maximum bores can accommodate standard keyways. Larger bores are available where a shallow keyway is used or no keyway is required.



Type B



Type C



# Metric sprockets

Duplex  
Standard

- ▶ ..... Belts
- ▶ ..... Chains
- ▶ ..... Couplings
- ▶ ..... Bushings and Hubs
- ▶ ..... Sprockets
- ▶ ..... Pulleys
- ▶ ..... Smart tools

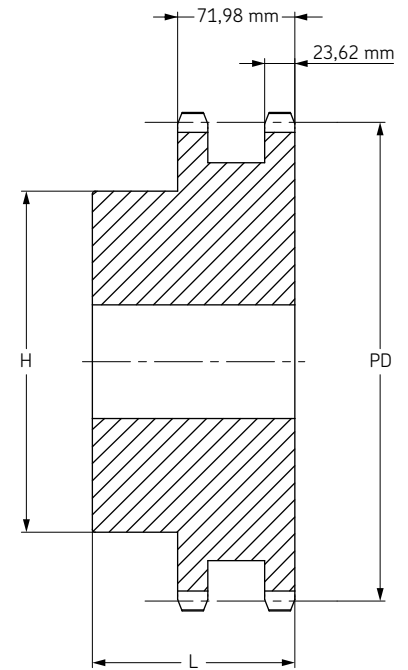
ISO 24B-2

38,10 mm Pitch

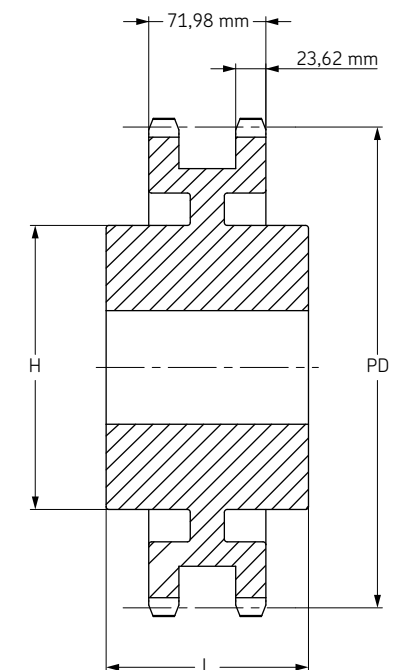
## Pilot bore Type B/C

No. Teeth	Pitch Diameter	Type	Bore		Hub		Weight	Designation
			min	max	H	L		
			mm	mm	mm	mm		
11	135,23	B	25	60	90	100	6,50	PHS 24B-2B11
12	147,21	B	25	67	102	100	8,13	PHS 24B-2B12
13	159,20	B	25	76	114	100	9,92	PHS 24B-2B13
14	171,22	B	25	84	128	100	11,98	PHS 24B-2B14
15	183,25	B	25	93	132	100	14,13	PHS 24B-2B15
16	195,29	B	25	100	136	100	16,35	PHS 24B-2B16
17	207,35	B	25	100	136	100	17,85	PHS 24B-2B17
18	219,41	B	25	108	150	100	20,35	PHS 24B-2B18
19	231,48	B	25	108	160	100	22,56	PHS 24B-2B19
20	243,55	B	25	108	160	100	24,78	PHS 24B-2B20
21	255,63	B	25	108	160	100	26,99	PHS 24B-2B21
22	267,72	B	25	108	160	100	29,74	PHS 24B-2B22
23	279,80	B	25	108	160	100	32,87	PHS 24B-2B23
24	291,90	B	25	108	160	100	36,00	PHS 24B-2B24
25	303,99	B	25	108	160	100	39,13	PHS 24B-2B25
26	316,09	B	30	108	160	100	42,26	PHS 24B-2B26
27	328,19	B	30	108	160	100	45,40	PHS 24B-2B27
28	340,29	B	30	108	160	100	48,53	PHS 24B-2B28
29	352,39	B	30	108	160	100	51,66	PHS 24B-2B29
30	364,49	B	30	108	160	100	54,79	PHS 24B-2B30
32	388,71	B	30	108	160	100	61,05	PHS 24B-2B32
38	461,37	B	30	137	160	100	72,01	PHS 24B-2B38
40	485,60	C	30	137	160	100	75,80	PHS 24B-2C40
42	509,83	C	30	137	180	100	79,59	PHS 24B-2C42
45	546,19	C	30	137	180	100	85,28	PHS 24B-2C45
48	582,54	C	30	137	180	100	90,97	PHS 24B-2C48
50	606,78	C	30	137	180	100	94,76	PHS 24B-2C50
54	655,26	C	30	161	180	110	127,46	PHS 24B-2C54
57	691,62	C	30	161	180	110	140,74	PHS 24B-2C57
60	727,99	C	30	161	180	120	154,02	PHS 24B-2C60
68	824,97	C	30	161	200	120	189,45	PHS 24B-2C68
72	873,46	C	30	161	200	120	207,16	PHS 24B-2C72
76	921,96	C	30	161	200	120	224,87	PHS 24B-2C76
95	1152,33	C	30	161	200	120	309,00	PHS 24B-2C95
96	1164,46	C	30	161	200	120	313,43	PHS 24B-2C96
114	1382,72	C	30	161	200	120	393,13	PHS 24B-2C114

Maximum bores can accommodate standard keyways. Larger bores are available where a shallow keyway is used or no keyway is required.



Type B



Type C



# Metric sprockets

Duplex  
Standard

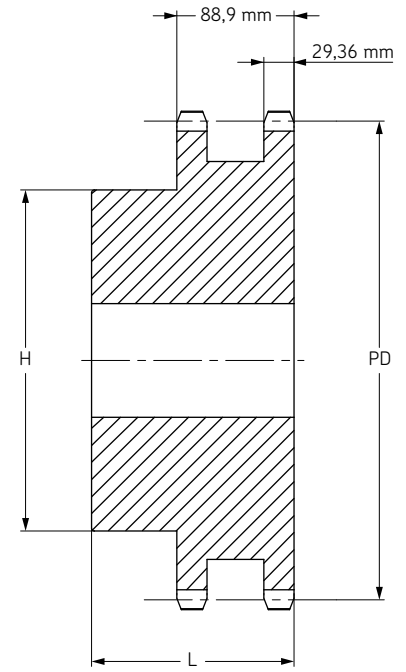


ISO 28B-2 44,45 mm Pitch

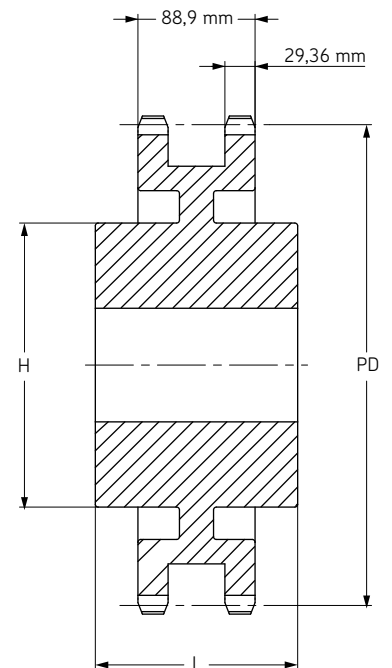
## Pilot bore Type B/C

No. Teeth	Pitch Diameter	Type	Bore		Hub		Weight	Designation
			min	max	H	L		
			mm	mm	mm	mm		
11	157,77	B	25	73	112	120	10,21	PHS 28B-2B11
12	171,74	B	25	84	125	120	13,02	PHS 28B-2B12
13	185,75	B	25	84	125	120	16,00	PHS 28B-2B13
14	199,76	B	25	87	125	120	19,28	PHS 28B-2B14
15	213,79	B	25	96	145	120	22,91	PHS 28B-2B15
16	227,84	B	30	108	160	120	26,92	PHS 28B-2B16
17	241,91	B	30	114	160	120	30,83	PHS 28B-2B17
18	255,98	B	30	114	160	120	34,74	PHS 28B-2B18
19	270,06	B	30	133	180	120	38,93	PHS 28B-2B19
20	284,15	B	30	133	180	120	44,27	PHS 28B-2B20
21	298,24	B	30	133	180	120	45,08	PHS 28B-2B21
22	312,34	B	30	133	180	120	48,15	PHS 28B-2B22
23	326,44	B	30	133	180	120	51,59	PHS 28B-2B23
24	340,55	B	30	133	180	120	55,03	PHS 28B-2B24
25	354,66	B	30	133	180	120	58,47	PHS 28B-2B25
26	368,77	B	30	133	180	120	64,06	PHS 28B-2B26
28	397,00	B	30	133	180	120	76,05	PHS 28B-2B28
30	425,24	B	30	133	180	120	89,16	PHS 28B-2B30
32	453,49	B	30	133	180	120	103,38	PHS 28B-2B32
38	538,27	B	30	133	200	120	97,53	PHS 28B-2B38
40	566,54	C	30	137	200	120	109,47	PHS 28B-2C40
45	637,22	C	30	137	200	120	137,32	PHS 28B-2C45
48	679,63	C	30	137	200	120	153,61	PHS 28B-2C48
54	764,46	C	30	162	200	120	204,44	PHS 28B-2C54
57	806,90	C	30	162	200	120	210,02	PHS 28B-2C57
60	849,32	C	30	162	200	130	230,82	PHS 28B-2C60
68	962,46	C	30	162	200	130	273,98	PHS 28B-2C68
72	1019,05	C	30	162	200	130	305,70	PHS 28B-2C72
76	1075,62	C	30	162	200	130	323,56	PHS 28B-2C76

Maximum bores can accommodate standard keyways. Larger bores are available where a shallow keyway is used or no keyway is required.



Type B



Type C



# Metric sprockets

Duplex  
Standard

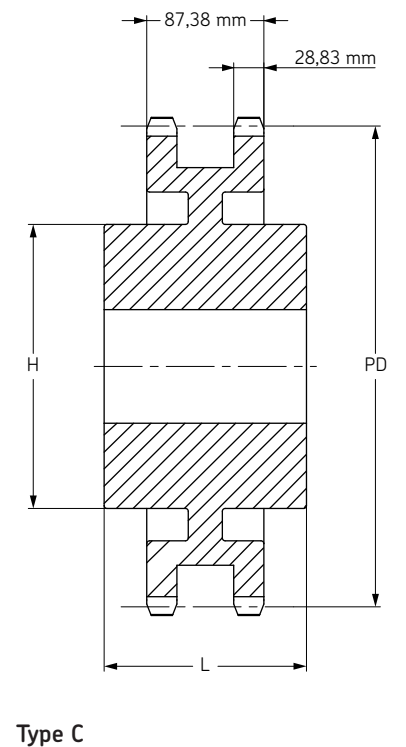
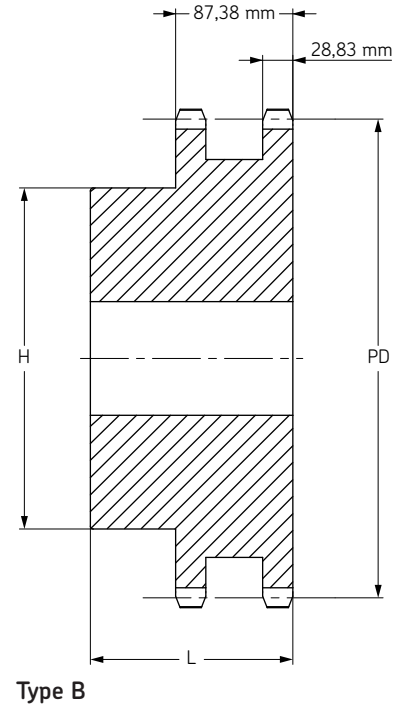
- ▶ ..... Belts
- ▶ ..... Chains
- ▶ ..... Couplings
- ▶ ..... Bushings and Hubs
- ▶ ..... Sprockets
- ▶ ..... Pulleys
- ▶ ..... Smart tools

ISO 32B-2 50,80 mm Pitch

## Pilot bore Type B/C

No. Teeth	Pitch Diameter	Type	Bore		Hub		Weight	Designation
			min	max	H	L		
			mm	mm	mm	mm		
11	180,34	B	30	80	120	120	10,42	PHS 32B-2B11
12	196,29	B	30	89	133	120	16,32	PHS 32B-2B12
13	212,29	B	30	96	145	120	21,77	PHS 32B-2B13
14	228,29	B	30	103	145	120	26,31	PHS 32B-2B14
15	244,30	B	30	106	160	120	30,84	PHS 32B-2B15
16	260,40	B	30	120	160	120	34,02	PHS 32B-2B16
17	276,40	B	30	120	180	120	41,28	PHS 32B-2B17
18	292,55	B	30	120	180	120	43,55	PHS 32B-2B18
19	308,66	B	30	120	200	120	48,53	PHS 32B-2B19
20	324,71	B	30	130	200	120	53,98	PHS 32B-2B20
21	340,82	B	30	130	200	120	58,97	PHS 32B-2B21
22	356,98	B	30	130	200	120	63,96	PHS 32B-2B22
23	373,08	B	30	130	200	120	71,21	PHS 32B-2B23
24	389,18	B	30	130	200	120	77,57	PHS 32B-2B24
25	405,33	B	30	130	200	120	84,82	PHS 32B-2B25
26	421,44	B	30	130	200	120	91,17	PHS 32B-2B26
28	453,69	B	30	130	200	120	101,13	PHS 32B-2B28
30	486,00	B	30	130	200	120	116,57	PHS 32B-2B30
38	615,14	B	30	178	200	120	170,25	PHS 32B-2B38
40	647,49	C	30	178	200	120	177,46	PHS 32B-2C40
45	728,26	C	30	178	200	120	195,50	PHS 32B-2C45
48	776,72	C	30	178	200	120	204,51	PHS 32B-2C48
54	873,68	C	30	178	220	120	222,53	PHS 32B-2C54
57	922,16	C	30	178	220	120	231,54	PHS 32B-2C57
68	1099,96	C	30	178	220	130	255,83	PHS 32B-2C68
76	1229,28	C	30	178	220	130	292,83	PHS 32B-2C76

Maximum bores can accommodate standard keyways. Larger bores are available where a shallow keyway is used or no keyway is required.



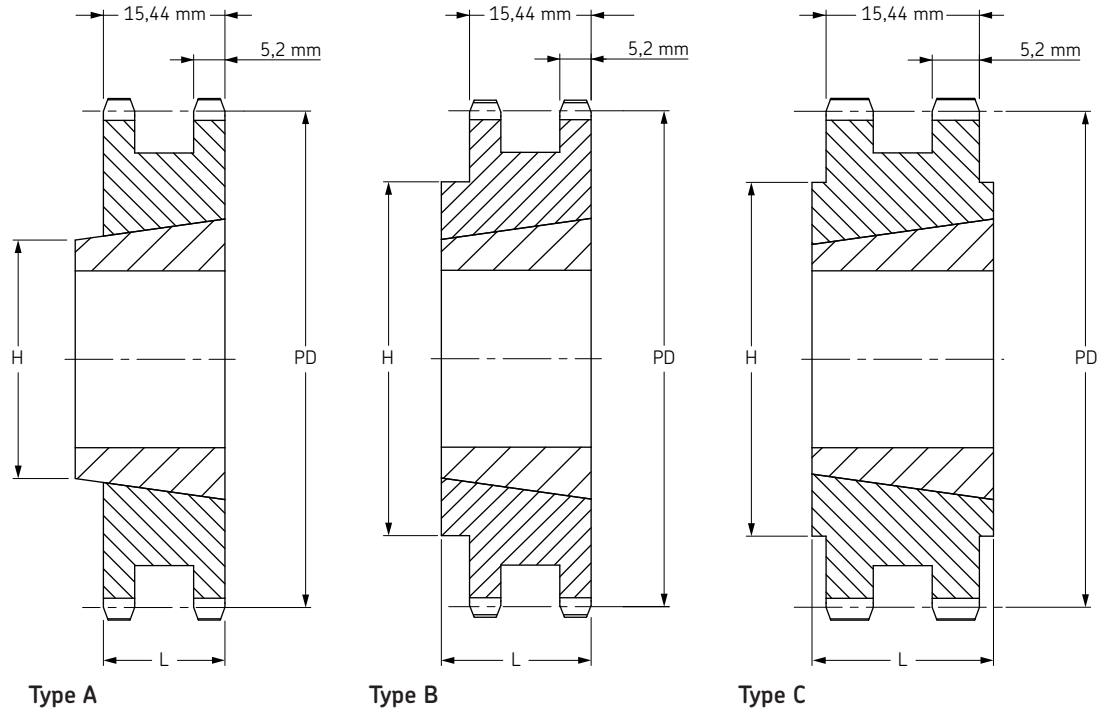


# Metric sprockets

Duplex  
Taper Bushed



## ISO 06B-2 9,525 mm Pitch



## Taper Bushed Type A/B/C

No. Teeth	Pitch Diameter	Type	Bushing Size	Bore		Dimensions		Weight		Designation
				min	max	L	H	Rim	Bushing	
	mm			mm	mm	mm	mm	kg	kg	
16	48,82	B	1108	9	25,4	22	41	0,06	0,12	PHS 06B-2TB16
17	51,83	B	1008	9	25,4	22	41	0,12	0,09	PHS 06B-2TB17
18	54,85	B	1008	9	25,4	22	45,0	0,18	0,09	PHS 06B-2TB18
19	57,87	B	1008	9	25,4	22	46,0	0,20	0,09	PHS 06B-2TB19
20	60,89	B	1008	9	25,4	22	48,0	0,24	0,09	PHS 06B-2TB20
21	63,91	B	1008	9	25,4	22	49,0	0,29	0,09	PHS 06B-2TB21
22	66,93	B	1108	9	25,4	22	52,0	0,30	0,12	PHS 06B-2TB22
23	69,95	B	1210	11	31,8	25	59,0	0,26	0,21	PHS 06B-2TB23
24	72,97	B	1210	11	31,8	25	63,0	0,34	0,21	PHS 06B-2TB24
25	76,00	B	1210	11	31,8	25	64,0	0,41	0,21	PHS 06B-2TB25
26	79,02	B	1210	11	31,8	25	65,0	0,45	0,21	PHS 06B-2TB26
27	82,05	B	1210	11	31,8	25	70,0	0,50	0,21	PHS 06B-2TB27
28	85,07	B	1210	11	31,8	25	70,0	0,54	0,21	PHS 06B-2TB28
29	88,09	B	1210	11	31,8	25	70,0	0,51	0,21	PHS 06B-2TB29
30	91,12	B	1210	11	31,8	25	75,0	0,61	0,21	PHS 06B-2TB30
32	97,17	B	1610	14	41,3	25	80,0	0,75	0,31	PHS 06B-2TB32
35	106,26	B	1610	14	41,3	25	80,0	0,95	0,31	PHS 06B-2TB35
38	115,35	B	1610	14	41,3	25	80,0	1,16	0,31	PHS 06B-2TB38
40	121,40	B	1610	14	41,3	25	80,0	1,30	0,31	PHS 06B-2TB40
45	136,55	B	1610	14	41,3	25	80,0	1,64	0,31	PHS 06B-2TB45
48	145,64	B	1610	14	41,3	25	80,0	1,85	0,31	PHS 06B-2TB48
54	163,82	B	1610	14	41,3	25	80,0	2,26	0,31	PHS 06B-2TB54
57	172,91	B	1610	14	41,3	25	80,0	1,75	0,31	PHS 06B-2TB57
60	182,00	B	1610	14	41,3	25	80,0	2,67	0,31	PHS 06B-2TB60
70	212,30	B	1610	14	41,3	25	80,0	3,36	0,31	PHS 06B-2TB70
76	230,49	B	1610	14	41,3	25	80,0	3,19	0,31	PHS 06B-2TB76
95	288,08	B	1610	14	41,3	25	90,0	5,08	0,31	PHS 06B-2TB95
114	345,68	B	1615	14	50,8	38	95,0	6,39	0,59	PHS 06B-2TB114

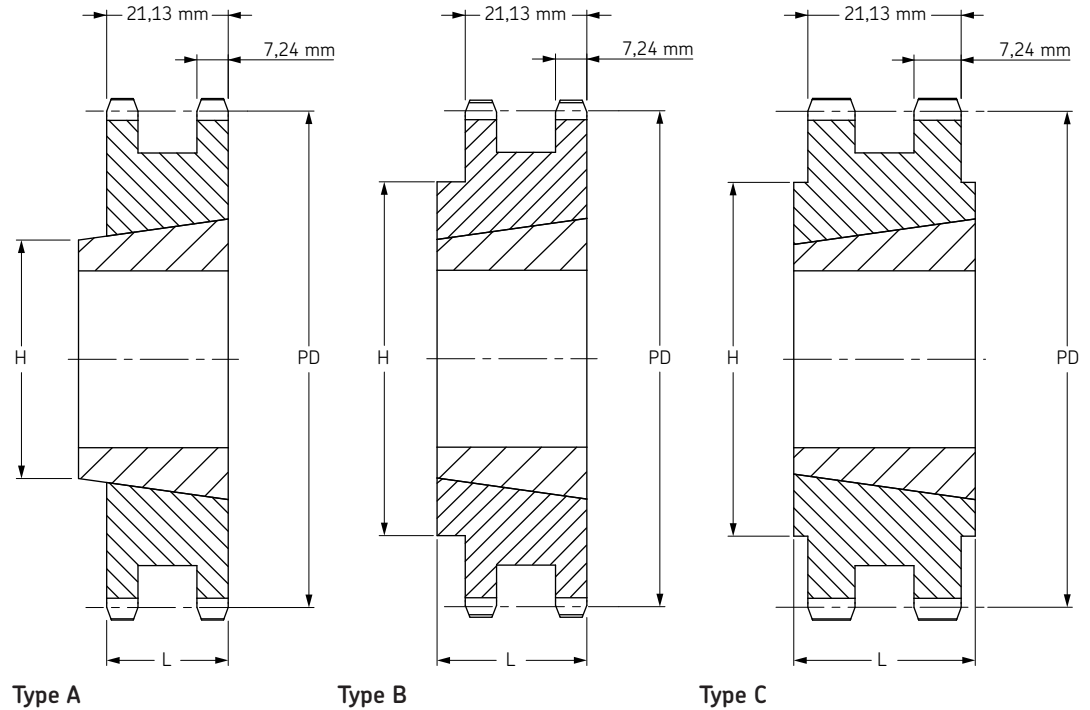


# Metric sprockets

Duplex  
Taper Bushed

- ▶ ..... Belts
- ▶ ..... Chains
- ▶ ..... Couplings
- ▶ ..... Bushings and Hubs
- ▶ ..... Sprockets
- ▶ ..... Pulleys
- ▶ ..... Smart tools

## ISO 08B-2 12,70 mm Pitch



## Taper Bushed Type A/B/C

No. Teeth	Pitch Diameter mm	Type	Bushing Size	Bore		Dimensions		Weight		Designation
				min mm	max mm	L mm	H mm	Rim kg	Bushing kg	
15	61,09	A	1008	9	25,4	22	46	0,23	0,09	PHS 08B-2TB15
16	65,10	A	1108	9	28,0	22	50	0,25	0,12	PHS 08B-2TB16
17	69,11	A	1210	11	31,8	25	56	0,26	0,21	PHS 08B-2TB17
18	73,14	B	1210	11	31,8	25	60	0,31	0,21	PHS 08B-2TB18
19	77,16	B	1210	11	31,8	25	62	0,43	0,21	PHS 08B-2TB19
20	81,19	B	1610	14	41,3	25	68	0,45	0,31	PHS 08B-2TB20
21	85,22	B	1610	14	41,3	25	70	0,48	0,31	PHS 08B-2TB21
22	89,24	B	1610	14	41,3	25	76	0,54	0,31	PHS 08B-2TB22
23	93,27	B	1610	14	41,3	25	79	0,66	0,31	PHS 08B-2TB23
24	97,29	B	1610	14	50,8	32	84	0,60	0,59	PHS 08B-2TB24
25	101,33	B	2012	14	50,8	32	87	0,74	0,59	PHS 08B-2TB25
26	105,36	B	2012	14	50,8	32	87	0,81	0,59	PHS 08B-2TB26
27	109,40	B	2012	14	50,8	32	87	0,92	0,59	PHS 08B-2TB27
28	113,42	B	2012	14	50,8	32	87	1,03	0,59	PHS 08B-2TB28
29	117,46	B	2012	14	50,8	32	87	1,16	0,59	PHS 08B-2TB29
30	121,50	B	2012	14	50,8	32	87	1,25	0,59	PHS 08B-2TB30
35	141,68	B	2012	14	50,8	32	100	1,65	0,59	PHS 08B-2TB35
36	145,72	B	2012	14	50,8	32	100	2,05	0,59	PHS 08B-2TB36
38	153,80	B	2012	14	50,8	32	100	2,53	0,59	PHS 08B-2TB38
42	169,94	C	2517	16	63,5	32	100	3,13	1,30	PHS 08B-2TB42
45	182,07	C	2012	14	50,8	32	100	3,73	0,59	PHS 08B-2TB45
48	194,18	C	2517	16	63,5	32	100	3,84	1,30	PHS 08B-2TB48
54	218,42	C	2517	16	63,5	32	100	3,95	1,30	PHS 08B-2TB54
57	230,53	C	2012	14	50,8	32	100	4,07	0,59	PHS 08B-2TB57
60	242,66	C	2517	16	63,5	32	100	4,20	1,30	PHS 08B-2TB60
68	274,99	C	2517	16	63,5	32	100	4,33	1,30	PHS 08B-2TB68
70	283,07	C	2517	16	63,5	32	100	4,46	1,30	PHS 08B-2TB70
72	291,15	C	2517	16	63,5	32	100	4,59	1,30	PHS 08B-2TB72
76	307,31	C	2012	14	50,8	32	100	4,72	0,59	PHS 08B-2TB76
84	339,65	C	2517	16	63,5	32	100	6,45	1,30	PHS 08B-2TB84
95	384,10	C	2012	14	50,8	32	100	8,18	0,59	PHS 08B-2TB95
96	388,15	C	2517	16	63,5	32	110	9,00	1,30	PHS 08B-2TB96
114	460,90	C	2517	16	63,5	45	110	10,50	1,30	PHS 08B-2TB114

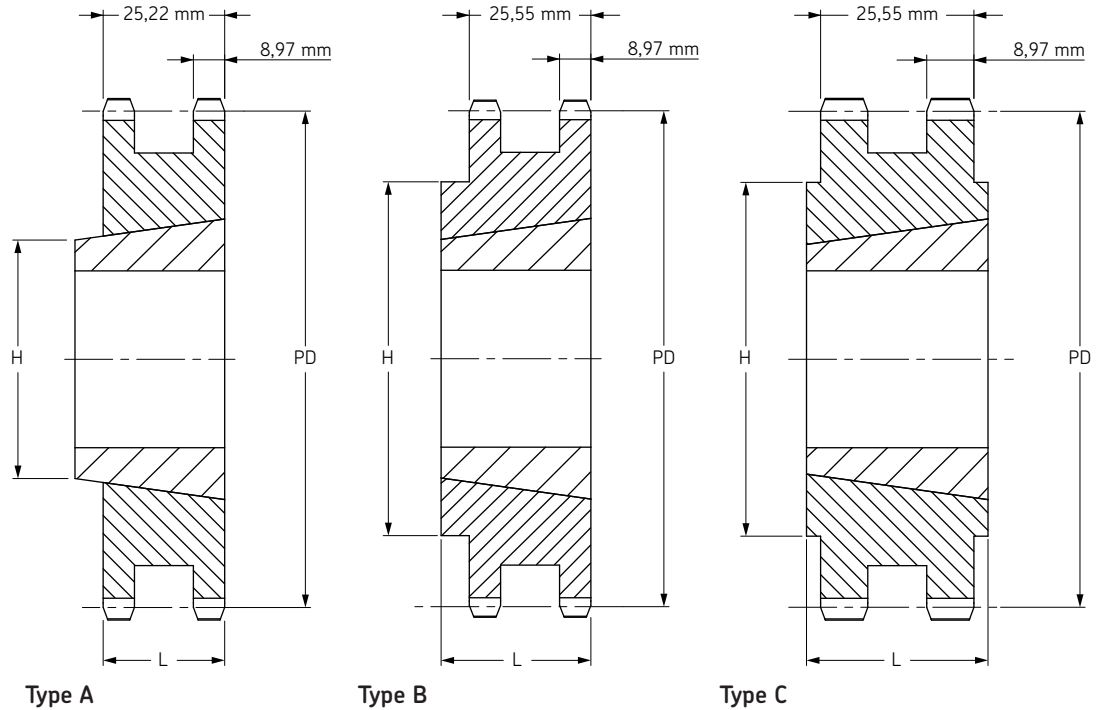


# Metric sprockets

Duplex  
Taper Bushed



## ISO 10B-2 15,88 mm Pitch



## Taper Bushed Type A/B/C

No. Teeth	Pitch Diameter mm	Type	Bushing Size	Bore		Dimensions		Weight		Designation
				min mm	max mm	L mm	H mm	Rim kg	Bushing kg	
14	71,34	A	1008	9	25,4	25,5	-	0,43	0,09	PHS 10B-2TB14
15	76,36	A	1210	11	31,8	25,5	-	0,39	0,21	PHS 10B-2TB15
16	81,37	A	1610	14	41,3	25,5	-	0,35	0,31	PHS 10B-2TB16
17	86,39	A	1610	14	41,3	25,5	-	0,46	0,31	PHS 10B-2TB17
18	91,42	A	1610	14	41,3	25,5	-	0,62	0,31	PHS 10B-2TB18
19	96,45	A	1610	14	41,3	25,5	-	0,75	0,31	PHS 10B-2TB19
20	101,49	B	1610	14	41,3	25,5	-	0,87	0,31	PHS 10B-2TB20
21	106,52	B	1610	14	41,3	25,5	-	1,05	0,31	PHS 10B-2TB21
22	111,55	B	1610	14	41,3	25,5	-	1,20	0,31	PHS 10B-2TB22
23	116,58	B	1610	14	41,3	25,5	-	1,38	0,31	PHS 10B-2TB23
24	121,62	B	2012	14	50,8	32	90	1,43	0,59	PHS 10B-2TB24
25	126,66	B	2012	14	50,8	32	90	1,62	0,59	PHS 10B-2TB25
26	131,70	B	2012	14	50,8	32	90	1,79	0,59	PHS 10B-2TB26
27	136,75	B	2012	14	50,8	32	90	2,00	0,59	PHS 10B-2TB27
28	141,78	B	2012	14	50,8	32	90	2,20	0,59	PHS 10B-2TB28
29	146,83	B	2012	14	50,8	32	90	2,43	0,59	PHS 10B-2TB29
30	151,87	B	2012	14	50,8	32	90	2,66	0,59	PHS 10B-2TB30
36	182,15	C	2517	16	63,5	45	110	4,33	1,30	PHS 10B-2TB36
38	192,24	C	2517	14	50,8	45	110	4,88	0,59	PHS 10B-2TB38
42	212,44	C	2517	16	63,5	45	110	5,99	1,30	PHS 10B-2TB42
45	227,58	C	2517	16	63,5	45	110	6,83	1,30	PHS 10B-2TB45
48	242,73	C	2517	16	63,5	45	110	7,66	1,30	PHS 10B-2TB48
57	288,18	C	2517	16	63,5	45	110	10,15	1,30	PHS 10B-2TB57
60	303,32	C	2517	16	63,5	45	110	10,99	1,30	PHS 10B-2TB60
68	343,74	C	2517	16	63,5	45	110	13,21	1,30	PHS 10B-2TB68
76	384,16	C	2517	16	63,5	45	110	15,43	1,30	PHS 10B-2TB76
84	424,57	C	2517	16	63,5	45	110	17,65	1,30	PHS 10B-2TB84
95	480,14	C	2517	16	63,5	45	110	20,70	1,30	PHS 10B-2TB95
114	576,13	C	2517	16	63,5	45	110	25,97	1,30	PHS 10B-2TB114



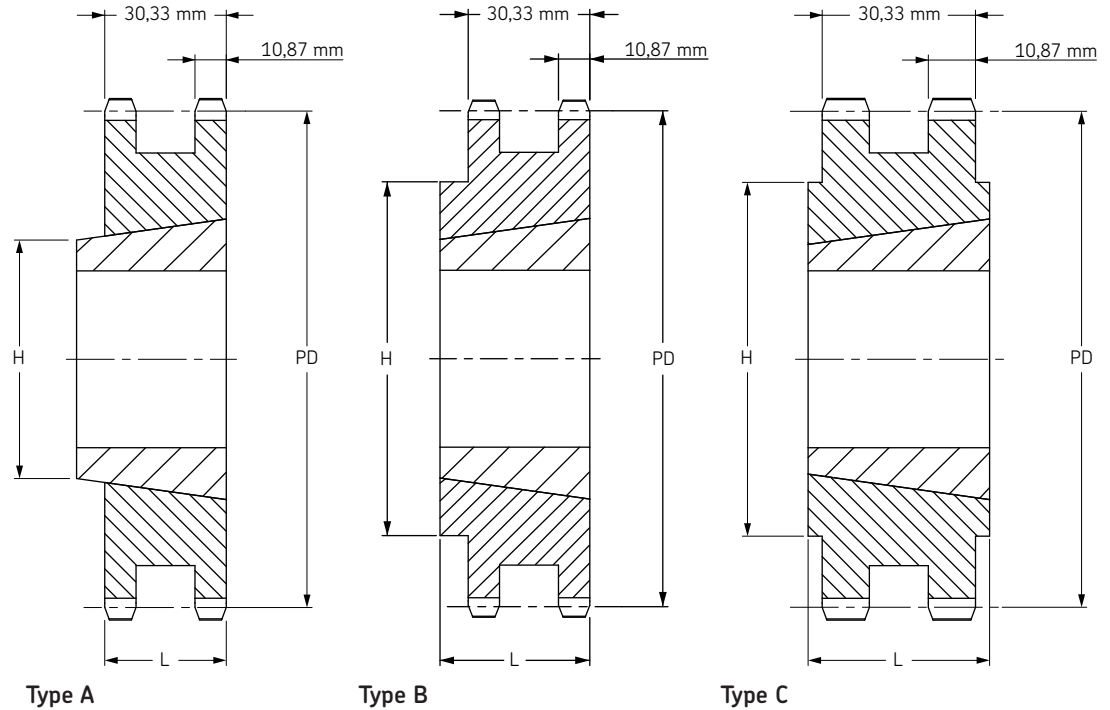


# Metric sprockets

Duplex  
Taper Bushed

- ▶ ..... Belts
- ▶ ..... Chains
- ▶ ..... Couplings
- ▶ ..... Bushings and Hubs
- ▶ ..... Sprockets
- ▶ ..... Pulleys
- ▶ ..... Smart tools

## ISO 12B-2 19,05 mm Pitch



## Taper Bushed Type A/B/C

No. Teeth	Pitch Diameter mm	Type	Bushing Size	Bore		Dimensions		Weight		Designation
				min	max	L	H	Rim	Bushing	
				mm	mm	mm	mm	kg	kg	
12	73,61	A	1215	11	31,8	30,3	-	0,19	0,30	PHS 12B-2TB12
13	79,59	A	1610	14	41,3	30,3	-	0,36	0,30	PHS 12B-2TB13
14	85,61	A	1610	14	41,3	30,3	-	0,53	0,30	PHS 12B-2TB14
15	91,63	A	1610	14	41,3	30,3	-	0,70	0,31	PHS 12B-2TB15
16	97,65	A	1610	14	41,3	30,3	-	0,87	0,31	PHS 12B-2TB16
17	103,67	A	1610	14	41,3	30,3	-	1,10	0,31	PHS 12B-2TB17
18	109,71	B	2012	14	50,8	31,8	90	1,05	0,59	PHS 12B-2TB18
19	115,75	B	2012	14	50,8	32,0	90	1,29	0,59	PHS 12B-2TB19
20	121,78	B	2517	16	63,5	45,0	102	1,34	1,30	PHS 12B-2TB20
21	127,82	B	2517	16	63,5	45,0	108	1,71	1,30	PHS 12B-2TB21
22	133,86	B	2517	16	63,5	45,0	108	2,03	1,30	PHS 12B-2TB22
23	139,90	B	2517	16	63,5	45,0	108	2,51	1,30	PHS 12B-2TB23
24	145,94	B	2517	16	63,5	45,0	108	2,58	1,30	PHS 12B-2TB24
25	152,00	B	2517	16	63,5	45,0	108	3,38	1,30	PHS 12B-2TB25
26	158,04	B	2517	16	63,5	45,0	108	3,24	1,30	PHS 12B-2TB26
27	164,09	B	2517	16	63,5	45,0	108	4,00	1,30	PHS 12B-2TB27
28	170,13	B	2517	16	63,5	45,0	108	3,92	1,30	PHS 12B-2TB28
30	182,25	B	2517	16	63,5	45,0	108	5,14	1,30	PHS 12B-2TB30
32	194,36	B	2517	16	63,5	44,5	130	5,92	1,30	PHS 12B-2TB32
35	212,52	B	2517	16	63,5	44,5	130	7,08	1,30	PHS 12B-2TB35
38	230,69	B	3020	25	76,2	51,0	140	6,95	2,24	PHS 12B-2TB38
40	242,81	C	3020	25	76,2	51,0	140	9,03	2,24	PHS 12B-2TB40
42	254,93	C	3020	25	76,2	51,0	140	9,81	2,24	PHS 12B-2TB42
45	273,10	C	3020	25	76,2	51,0	140	9,33	2,24	PHS 12B-2TB45
54	327,64	C	3020	25	76,2	51,0	140	14,47	2,24	PHS 12B-2TB54
57	345,81	C	3020	25	76,2	51,0	140	10,50	2,24	PHS 12B-2TB57
60	363,99	C	3020	25	76,2	51,0	140	16,80	2,24	PHS 12B-2TB60
65	394,29	C	3020	25	76,2	51,0	140	18,75	2,24	PHS 12B-2TB65
70	424,60	C	3020	25	76,2	51,0	140	20,69	2,24	PHS 12B-2TB70
76	460,99	C	3020	25	76,2	51,0	140	17,06	2,24	PHS 12B-2TB76
84	509,48	C	3020	25	76,2	51,0	140	26,13	2,24	PHS 12B-2TB84
95	576,17	C	3020	25	76,2	51,0	140	28,50	2,24	PHS 12B-2TB95
114	691,36	C	3020	25	76,2	76,0	140	37,80	2,24	PHS 12B-2TB114

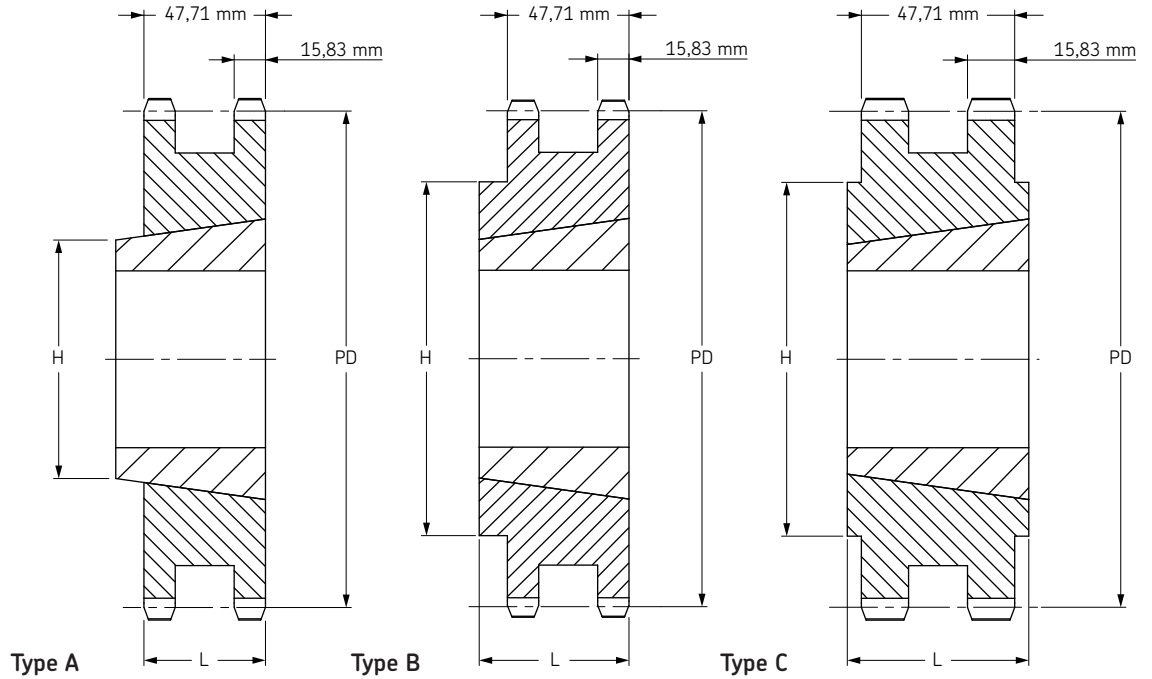


# Metric sprockets

Duplex  
Taper Bushed



## ISO 16B-2 25,40 mm Pitch



## Taper Bushed Type A/B/C

No. Teeth	Pitch Diameter	Type	Bushing Size	Bore		Dimensions		Weight		Designation
				min	max	L	H	Rim	Bushing	
	mm			mm	mm	mm	mm	kg	kg	
13	106,12	A	2012	14	50,8	47,7	-	0,51	0,59	PHS 16B-2TB13
14	114,15	A	2012	14	50,8	47,7	-	1,01	0,59	PHS 16B-2TB14
15	122,17	A	2517	16	63,5	47,7	-	2,12	0,59	PHS 16B-2TB15
16	130,20	A	2517	16	63,5	47,7	-	2,01	1,30	PHS 16B-2TB16
17	138,22	A	2517	16	63,5	47,7	-	2,51	1,30	PHS 16B-2TB17
18	146,28	A	2517	16	63,5	47,7	-	3,13	1,30	PHS 16B-2TB18
19	154,33	A	3020	25	76,2	47,7	-	3,76	1,30	PHS 16B-2TB19
20	162,38	B	3020	25	76,2	47,7	140	4,43	1,30	PHS 16B-2TB20
21	170,43	B	3020	25	76,2	51,0	140	4,13	2,24	PHS 16B-2TB21
22	178,48	B	3020	25	76,2	51,0	140	4,95	2,24	PHS 16B-2TB22
23	186,53	B	3020	25	76,2	51,0	140	5,80	2,24	PHS 16B-2TB23
24	194,59	B	3020	25	76,2	51,0	140	6,68	2,24	PHS 16B-2TB24
25	202,66	B	3020	25	76,2	51,0	140	7,65	2,24	PHS 16B-2TB25
26	210,72	B	3020	25	76,2	51,0	140	8,50	2,24	PHS 16B-2TB26
27	218,79	B	3020	35	76,2	51,0	140	9,47	2,24	PHS 16B-2TB27
28	226,85	B	3020	35	76,2	51,0	140	10,46	2,24	PHS 16B-2TB28
29	234,92	B	3020	35	76,2	51,0	140	11,48	2,24	PHS 16B-2TB29
30	243,00	B	3020	35	76,2	51,0	140	12,50	3,04	PHS 16B-2TB30
35	283,36	C	3020	35	76,2	76,0	140	16,36	3,04	PHS 16B-2TB35
38	307,59	C	3020	35	76,2	76,0	140	13,48	3,04	PHS 16B-2TB38
42	339,90	C	3020	35	76,2	76,0	140	22,52	2,24	PHS 16B-2TB42
45	364,13	C	3525	35	76,2	76,0	140	18,30	3,04	PHS 16B-2TB45
57	461,07	C	3525	35	88,9	89,0	175	27,00	3,56	PHS 16B-2TB57
76	614,65	C	3525	35	88,9	89,0	175	43,50	3,56	PHS 16B-2TB76
95	768,22	C	3525	40	101,6	102,0	215	67,00	5,54	PHS 16B-2TB95
114	921,81	C	4040	40	101,6	102,0	215	85,88	5,54	PHS 16B-2TB114

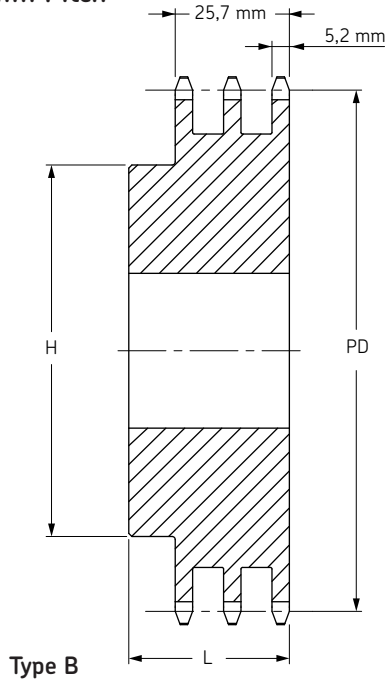


# Metric sprockets

Triplex  
Standard

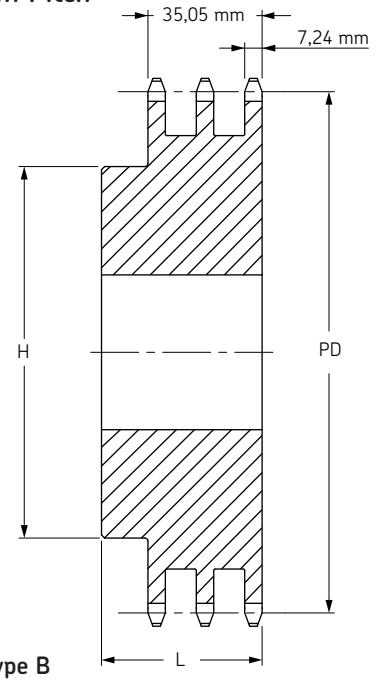
- ▶ ..... Belts
- ▶ ..... Chains
- ▶ ..... Couplings
- ▶ ..... Bushings and Hubs
- ▶ ..... Sprockets
- ▶ ..... Pulleys
- ▶ ..... Smart tools

ISO 06B-3 9,525 mm Pitch



Type B

ISO 08B-3 12,70 mm Pitch



Type B

Pilot bore Type B

No. Teeth	Pitch Diameter	Type	Bore		Hub		Weight	Designation
			min	max	H	L		
	mm		mm	mm	mm	mm	kg	
12	36,80	B	10	16	25	35	0,23	PHS 06B-3B12
13	39,79	B	10	18	28	35	0,27	PHS 06B-3B13
14	42,80	B	12	18	31	35	0,32	PHS 06B-3B14
15	45,81	B	12	20	34	35	0,36	PHS 06B-3B15
16	48,82	B	12	20	37	35	0,45	PHS 06B-3B16
17	51,83	B	12	24	40	35	0,54	PHS 06B-3B17
18	54,85	B	12	25	43	35	0,64	PHS 06B-3B18
19	57,87	B	12	28	46	35	0,72	PHS 06B-3B19
20	60,89	B	12	30	49	35	0,77	PHS 06B-3B20
21	63,91	B	14	30	52	40	0,86	PHS 06B-3B21
22	66,93	B	14	35	55	40	0,95	PHS 06B-3B22
23	69,95	B	14	38	58	40	1,04	PHS 06B-3B23
24	72,97	B	14	39	61	40	1,18	PHS 06B-3B24
25	76,02	B	14	40	64	40	1,27	PHS 06B-3B25
26	79,02	B	14	42	67	40	1,31	PHS 06B-3B26
27	82,02	B	14	45	70	40	1,36	PHS 06B-3B27
28	85,07	B	14	48	73	40	1,50	PHS 06B-3B28
29	88,09	B	14	50	76	40	1,68	PHS 06B-3B29
30	91,12	B	14	52	79	40	1,72	PHS 06B-3B30
32	97,17	B	16	52	80	40	2,00	PHS 06B-3B32
35	106,26	B	16	52	85	40	2,25	PHS 06B-3B35
36	109,29	B	16	60	90	40	2,33	PHS 06B-3B36
38	115,35	B	16	60	90	40	2,49	PHS 06B-3B38
40	121,40	B	16	60	90	40	2,65	PHS 06B-3B40
42	127,46	B	16	60	90	56	2,81	PHS 06B-3B42
45	136,55	B	16	60	90	56	3,00	PHS 06B-3B45
48	145,64	B	16	60	90	56	3,20	PHS 06B-3B48
52	157,75	B	16	60	90	56	3,46	PHS 06B-3B52
57	172,91	B	16	60	90	56	4,77	PHS 06B-3B57
60	181,99	B	16	60	90	56	5,02	PHS 06B-3B60
68	206,24	B	16	60	90	56	5,69	PHS 06B-3B68
70	212,30	B	16	60	90	56	5,86	PHS 06B-3B70
72	218,37	B	16	60	90	56	6,02	PHS 06B-3B72
76	230,49	B	16	64	90	56	8,48	PHS 06B-3B76
84	254,74	B	16	64	90	56	9,37	PHS 06B-3B84
95	288,08	B	16	64	90	56	13,61	PHS 06B-3B95
96	291,11	B	16	64	90	56	13,75	PHS 06B-3B96
114	345,69	B	16	64	90	56	17,48	PHS 06B-3B114

Maximum bores can accommodate standard keyways. Larger bores are available where a shallow keyway is used or no keyway is required.

Pilot bore Type B

No. Teeth	Pitch Diameter	Type	Bore		Hub		Weight	Designation
			min	max	H	L		
	mm		mm	mm	mm	mm	kg	
11	45,07	B	14	22	32	50	0,32	PHS 08B-3B11
12	49,07	B	14	24	35	50	0,45	PHS 08B-3B12
13	53,06	B	14	25	38	50	0,59	PHS 08B-3B13
14	57,07	B	14	28	42	50	0,72	PHS 08B-3B14
15	61,09	B	14	31	46	50	0,81	PHS 08B-3B15
16	65,10	B	16	35	50	50	0,90	PHS 08B-3B16
17	69,11	B	16	36	54	50	1,04	PHS 08B-3B17
18	73,14	B	16	38	58	50	1,22	PHS 08B-3B18
19	77,16	B	16	40	62	50	1,41	PHS 08B-3B19
20	81,19	B	16	40	66	50	1,58	PHS 08B-3B20
21	85,22	B	16	45	70	55	1,81	PHS 08B-3B21
22	89,24	B	16	45	70	55	2,03	PHS 08B-3B22
23	93,27	B	16	45	70	55	2,27	PHS 08B-3B23
24	97,29	B	16	50	75	55	2,44	PHS 08B-3B24
25	101,33	B	16	52	80	55	2,54	PHS 08B-3B25
26	105,36	B	20	56	85	55	2,85	PHS 08B-3B26
27	109,40	B	20	56	85	55	2,85	PHS 08B-3B27
28	113,42	B	20	60	90	55	3,16	PHS 08B-3B28
29	117,46	B	20	62	95	55	3,34	PHS 08B-3B29
30	121,50	B	20	64	100	55	3,48	PHS 08B-3B30
35	141,68	B	20	73	110	55	4,79	PHS 08B-3B35
36	145,72	B	25	80	120	55	5,43	PHS 08B-3B36
38	153,80	B	25	80	120	55	6,49	PHS 08B-3B38
42	169,95	B	25	80	120	60	7,17	PHS 08B-3B42
45	182,07	B	25	80	120	60	7,69	PHS 08B-3B45
48	194,18	B	25	80	120	60	8,20	PHS 08B-3B48
52	210,34	B	25	80	120	60	8,88	PHS 08B-3B52
54	218,43	B	25	80	120	60	9,22	PHS 08B-3B54
57	230,54	B	25	80	120	60	12,62	PHS 08B-3B57
60	242,66	B	25	85	120	60	13,84	PHS 08B-3B60
68	274,99	B	25	85	120	60	15,69	PHS 08B-3B68
72	291,16	B	25	85	120	60	16,61	PHS 08B-3B72
76	307,33	B	25	85	120	60	22,23	PHS 08B-3B76
84	339,65	B	25	85	120	60	24,57	PHS 08B-3B84
95	384,11	B	25	85	120	60	33,11	PHS 08B-3B95
114	460,90	B	25	85	120	60	41,90	PHS 08B-3B114

Maximum bores can accommodate standard keyways. Larger bores are available where a shallow keyway is used or no keyway is required.

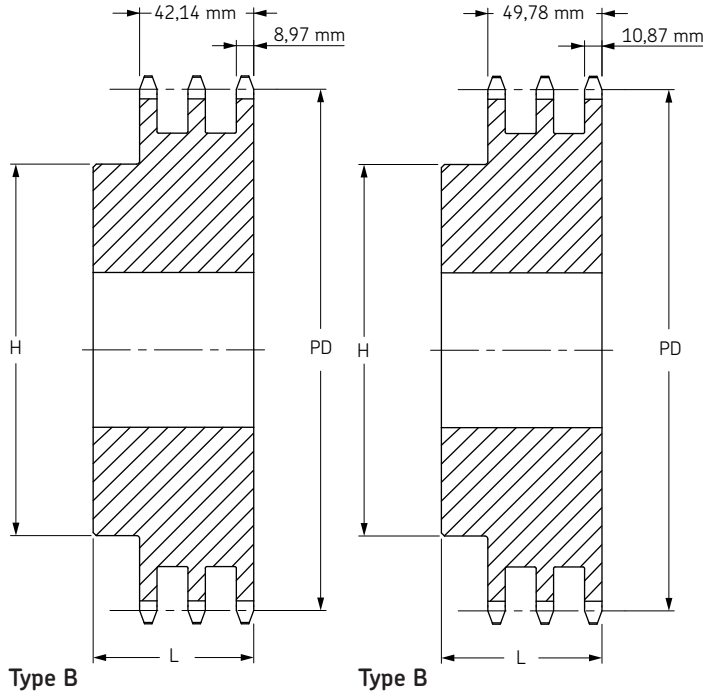


# Metric sprockets

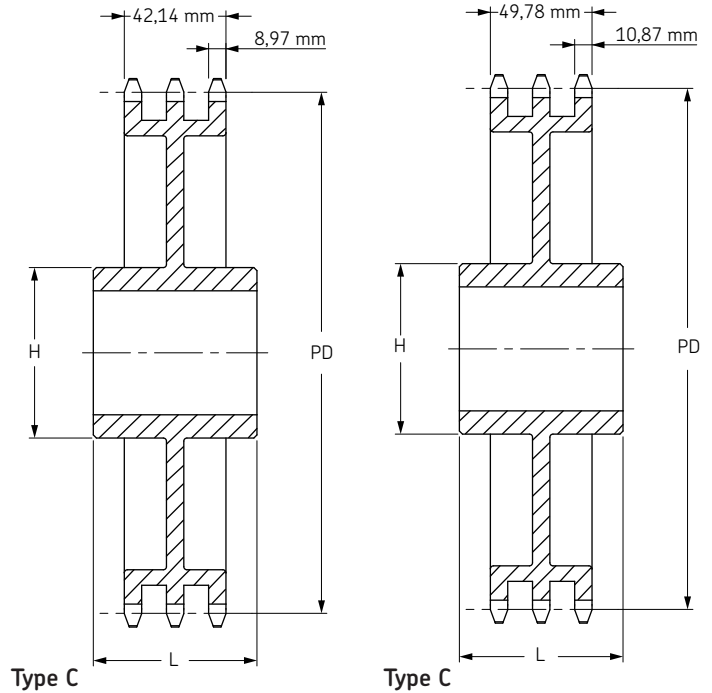
Triplex  
Standard



## ISO 10B-3 15,88 mm Pitch



## ISO 12B-3 19,05 mm Pitch



## Pilot bore Type B/C

No. Teeth	Pitch Diameter	Type	Bore		Hub		Weight	Designation
			min	max	H	L		
			mm	mm	mm	mm		
11	56,34	B	16	24	39	55	0,68	PHS 10B-3B11
12	61,34	B	16	29	44	55	0,82	PHS 10B-3B12
13	66,32	B	16	34	49	55	1,05	PHS 10B-3B13
14	71,34	B	16	35	54	55	1,23	PHS 10B-3B14
15	76,36	B	16	38	59	55	1,36	PHS 10B-3B15
16	81,37	B	16	42	64	60	1,55	PHS 10B-3B16
17	86,38	B	16	45	69	60	1,81	PHS 10B-3B17
18	91,42	B	16	48	74	60	2,09	PHS 10B-3B18
19	96,45	B	16	52	79	60	2,40	PHS 10B-3B19
20	101,49	B	16	56	84	60	2,72	PHS 10B-3B20
21	106,52	B	20	56	85	60	3,04	PHS 10B-3B21
22	111,55	B	20	60	90	60	3,36	PHS 10B-3B22
23	116,58	B	20	62	95	60	3,67	PHS 10B-3B23
24	121,62	B	20	64	100	60	4,00	PHS 10B-3B24
25	126,66	B	20	68	105	60	4,31	PHS 10B-3B25
26	131,70	B	20	73	110	60	5,18	PHS 10B-3B26
27	136,75	B	20	73	110	60	5,63	PHS 10B-3B27
28	141,78	B	20	76	115	60	6,04	PHS 10B-3B28
29	146,83	B	20	76	115	60	6,22	PHS 10B-3B29
30	151,87	B	20	80	120	60	6,36	PHS 10B-3B30
32	161,95	B	20	80	120	60	7,26	PHS 10B-3B32
35	177,10	B	20	80	120	60	8,60	PHS 10B-3B35
36	182,15	B	25	80	120	60	9,34	PHS 10B-3B36
38	192,24	B	25	80	120	60	11,03	PHS 10B-3B38
45	227,58	B	25	80	130	60	14,94	PHS 10B-3B45
48	242,73	B	25	80	130	60	16,62	PHS 10B-3B48
57	288,18	B	25	80	130	60	21,77	PHS 10B-3B57
60	303,32	B	25	80	130	64	22,22	PHS 10B-3B60
76	384,16	C	25	80	130	67	23,13	PHS 10B-3C76
80	404,35	C	25	80	130	67	25,14	PHS 10B-3C80
95	480,14	C	25	80	130	67	32,66	PHS 10B-3C95
114	576,13	C	25	80	130	67	44,76	PHS 10B-3C114

Maximum bores can accommodate standard keyways. Larger bores are available where a shallow keyway is used or no keyway is required.

## Pilot bore Type B/C

No. Teeth	Pitch Diameter	Type	Bore		Hub		Weight	Designation
			min	max	H	L		
			mm	mm	mm	mm		
11	67,61	B	20	32	47	70	1,13	PHS 12B-3B11
12	73,61	B	20	36	53	70	1,50	PHS 12B-3B12
13	79,59	B	20	38	59	70	1,77	PHS 12B-3B13
14	85,61	B	20	42	65	70	2,04	PHS 12B-3B14
15	91,63	B	20	45	71	70	2,45	PHS 12B-3B15
16	97,65	B	20	51	77	70	2,95	PHS 12B-3B16
17	103,67	B	20	54	83	70	3,49	PHS 12B-3B17
18	109,71	B	20	60	89	70	3,86	PHS 12B-3B18
19	115,75	B	20	62	95	70	4,54	PHS 12B-3B19
20	121,78	B	20	64	100	70	5,08	PHS 12B-3B20
21	127,82	B	20	64	100	70	5,67	PHS 12B-3B21
22	133,86	B	20	64	100	70	5,99	PHS 12B-3B22
23	139,90	B	20	73	110	70	6,62	PHS 12B-3B23
24	145,94	B	20	73	110	70	7,17	PHS 12B-3B24
25	152,00	B	20	80	120	70	7,71	PHS 12B-3B25
26	158,04	B	20	80	120	70	8,44	PHS 12B-3B26
27	164,09	B	20	80	120	70	8,99	PHS 12B-3B27
28	170,13	B	20	80	120	70	9,49	PHS 12B-3B28
29	176,19	B	20	80	120	70	9,99	PHS 12B-3B29
30	182,25	B	20	80	120	70	10,53	PHS 12B-3B30
35	212,52	B	25	85	130	70	18,95	PHS 12B-3B35
36	218,58	B	25	85	130	70	19,49	PHS 12B-3B36
38	230,69	B	25	85	130	70	20,57	PHS 12B-3B38
45	273,10	B	25	85	140	70	24,36	PHS 12B-3B45
48	291,27	B	25	85	140	70	25,98	PHS 12B-3B48
57	345,81	B	25	82	140	70	33,73	PHS 12B-3B57
60	363,99	C	25	82	140	70	35,51	PHS 12B-3C60
68	412,49	C	25	82	140	70	40,24	PHS 12B-3C68
76	460,99	C	25	95	140	70	37,19	PHS 12B-3C76
80	485,22	C	25	95	140	70	39,15	PHS 12B-3C80
95	576,17	C	25	95	140	70	47,63	PHS 12B-3C95

Maximum bores can accommodate standard keyways. Larger bores are available where a shallow keyway is used or no keyway is required.

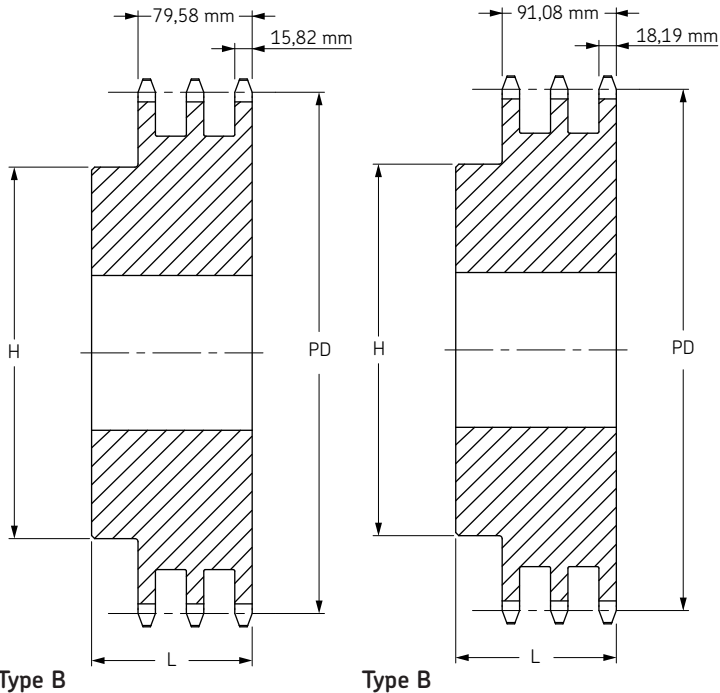


# Metric sprockets

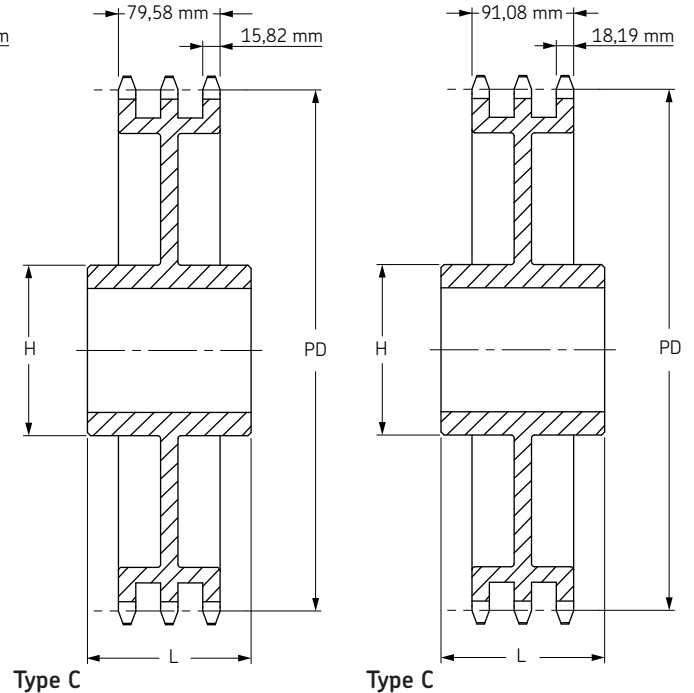
Triplex  
Standard

- ▶ ..... Belts
- ▶ ..... Chains
- ▶ ..... Couplings
- ▶ ..... Bushings and Hubs
- ▶ ..... Sprockets
- ▶ ..... Pulleys
- ▶ ..... Smart tools

## ISO 16B-3 25,40 mm Pitch



## ISO 20B-3 31,75 mm Pitch



### Pilot bore Type B/C

No. Teeth	Pitch Diameter mm	Type	Bore		Hub		Weight kg	Designation
			min mm	max mm	H mm	L mm		
10	90,14	B	20	42	56	95	1,85	PHS 16B-3B10
11	90,14	B	25	42	64	100	3,59	PHS 16B-3B11
12	98,14	B	25	45	72	100	3,59	PHS 16B-3B12
13	106,12	B	25	52	80	100	4,13	PHS 16B-3B13
14	114,15	B	25	58	88	100	4,68	PHS 16B-3B14
15	122,17	B	25	62	96	100	5,54	PHS 16B-3B15
16	130,20	B	25	66	104	100	6,81	PHS 16B-3B16
17	138,22	B	25	74	112	100	8,07	PHS 16B-3B17
18	146,28	B	25	80	120	100	9,99	PHS 16B-3B18
19	154,33	B	25	84	128	100	10,89	PHS 16B-3B19
20	162,38	B	25	85	130	100	11,80	PHS 16B-3B20
21	170,43	B	25	85	130	100	13,61	PHS 16B-3B21
22	178,48	B	25	85	130	100	14,07	PHS 16B-3B22
23	186,53	B	25	85	130	100	14,97	PHS 16B-3B23
24	194,59	B	25	85	130	100	16,34	PHS 16B-3B24
25	202,66	B	25	85	130	100	17,70	PHS 16B-3B25
26	210,72	B	30	85	130	100	19,98	PHS 16B-3B26
27	218,79	B	30	85	130	100	21,57	PHS 16B-3B27
28	226,85	B	30	85	130	100	23,15	PHS 16B-3B28
29	234,92	B	30	85	130	100	24,74	PHS 16B-3B29
30	243,00	B	30	95	136	100	26,33	PHS 16B-3B30
35	283,36	B	30	95	140	100	36,06	PHS 16B-3B35
36	291,44	B	30	95	140	100	38,06	PHS 16B-3B36
38	307,59	C	30	97	140	100	38,22	PHS 16B-3C38
42	339,89	C	30	97	160	100	38,51	PHS 16B-3C42
45	364,13	C	30	97	160	100	41,77	PHS 16B-3C45
57	461,07	C	30	107	180	110	54,80	PHS 16B-3C57
60	485,32	C	30	107	180	110	58,06	PHS 16B-3C60
68	549,98	C	30	107	180	110	63,50	PHS 16B-3C68
76	614,65	C	30	107	180	110	74,52	PHS 16B-3C76
95	768,22	C	30	114	180	110	100,70	PHS 16B-3C95
114	921,81	C	30	114	180	110	120,84	PHS 16B-3C114

Maximum bores can accommodate standard keyways. Larger bores are available where a shallow keyway is used or no keyway is required.

### Pilot bore Type B/C

No. Teeth	Pitch Diameter mm	Type	Bore		Hub		Weight kg	Designation
			min mm	max mm	H mm	L mm		
10	102,75	B	20	47	70	110	3,95	PHS 20B-3B10
11	112,70	B	20	52	80	115	5,26	PHS 20B-3B11
12	122,67	B	20	60	90	115	6,21	PHS 20B-3B12
13	132,67	B	20	64	100	115	9,26	PHS 20B-3B13
14	142,68	B	20	73	110	115	9,76	PHS 20B-3B14
15	152,71	B	20	80	120	115	10,81	PHS 20B-3B15
16	162,75	B	25	80	120	115	12,76	PHS 20B-3B16
17	172,79	B	25	80	120	115	14,76	PHS 20B-3B17
18	182,84	B	25	80	120	115	16,71	PHS 20B-3B18
19	192,90	B	25	80	120	115	19,13	PHS 20B-3B19
20	202,96	B	25	80	120	115	21,57	PHS 20B-3B20
21	213,03	B	25	92	140	115	23,36	PHS 20B-3B21
22	223,10	B	25	92	140	115	25,65	PHS 20B-3B22
23	233,17	B	25	92	140	115	27,90	PHS 20B-3B23
24	243,25	B	25	95	140	115	27,19	PHS 20B-3B24
25	253,32	B	25	95	140	115	27,90	PHS 20B-3B25
26	263,41	B	25	95	150	115	31,90	PHS 20B-3B26
27	273,49	B	25	95	150	115	35,90	PHS 20B-3B27
28	283,57	B	25	95	150	115	39,90	PHS 20B-3B28
30	303,75	B	25	95	150	115	47,90	PHS 20B-3B30
32	323,92	B	30	95	150	115	51,57	PHS 20B-3B32
35	354,20	C	30	97	150	115	57,29	PHS 20B-3C35
36	364,29	C	30	97	150	115	59,35	PHS 20B-3C36
38	384,48	C	30	97	150	115	62,56	PHS 20B-3C38
42	424,86	C	30	97	160	110	70,12	PHS 20B-3C42
45	455,15	C	30	97	160	110	75,84	PHS 20B-3C45
57	576,35	C	30	102	180	123	100,11	PHS 20B-3C57
60	606,66	C	30	102	180	123	104,86	PHS 20B-3C60
68	687,48	C	30	102	200	123	117,54	PHS 20B-3C68
76	768,30	C	30	102	200	123	130,21	PHS 20B-3C76
80	808,71	C	30	102	200	123	136,55	PHS 20B-3C80
95	960,28	C	30	102	200	123	160,31	PHS 20B-3C95
114	1152,27	C	30	102	200	126	190,41	PHS 20B-3C114

Maximum bores can accommodate standard keyways. Larger bores are available where a shallow keyway is used or no keyway is required.

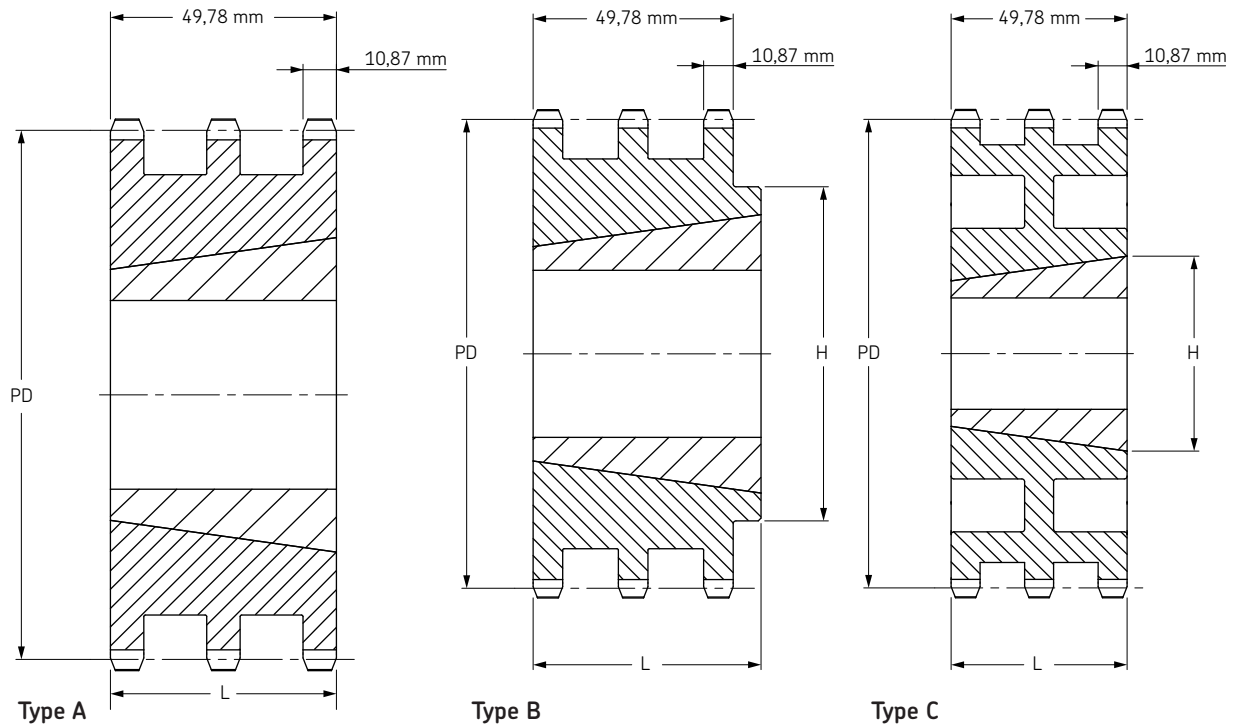


# Metric sprockets

Triplex  
Taper Bushed



## ISO 12B-3 19,05 mm Pitch



## Taper Bushed Type A/B/C

No. Teeth	Pitch Diameter	Type	Bushing Size	Bore		Hub		Weight	Designation
				min	max	L	H		
	mm			mm	mm	mm	mm	kg	
17	103,67	A	2012	14	50	-	-	1,28	PHS 12B-3TB17
19	115,75	A	2517	16	65	-	-	2,02	PHS 12B-3TB19
21	127,82	A	2517	16	65	-	-	2,09	PHS 12B-3TB21
23	139,90	A	2517	16	65	-	-	3,00	PHS 12B-3TB23
25	152,00	A	3020	25	75	-	-	3,97	PHS 12B-3TB25
27	164,09	B	3020	25	75	140	51,0	3,83	PHS 12B-3TB27
30	182,25	B	3020	25	75	140	51,0	5,72	PHS 12B-3TB30
38	230,69	B	3020	25	75	140	51,0	7,76	PHS 12B-3TB38CI
45	273,10	C	3020	25	75	140	51,0	10,04	PHS 12B-3TB45CI
57	345,81	C	3020	25	75	140	51,0	14,42	PHS 12B-3TB57CI
76	460,99	C	3020	25	75	140	51,0	25,50	PHS 12B-3TB76CI
95	576,17	C	3030	25	75	140	76,0	36,58	PHS 12B-3TB45CI
114	691,36	C	3030	25	75	140	76,0	47,66	PHS 12B-3TB45CI

Maximum bores can accommodate standard keyways. Larger bores are available where a shallow keyway is used or no keyway is required.

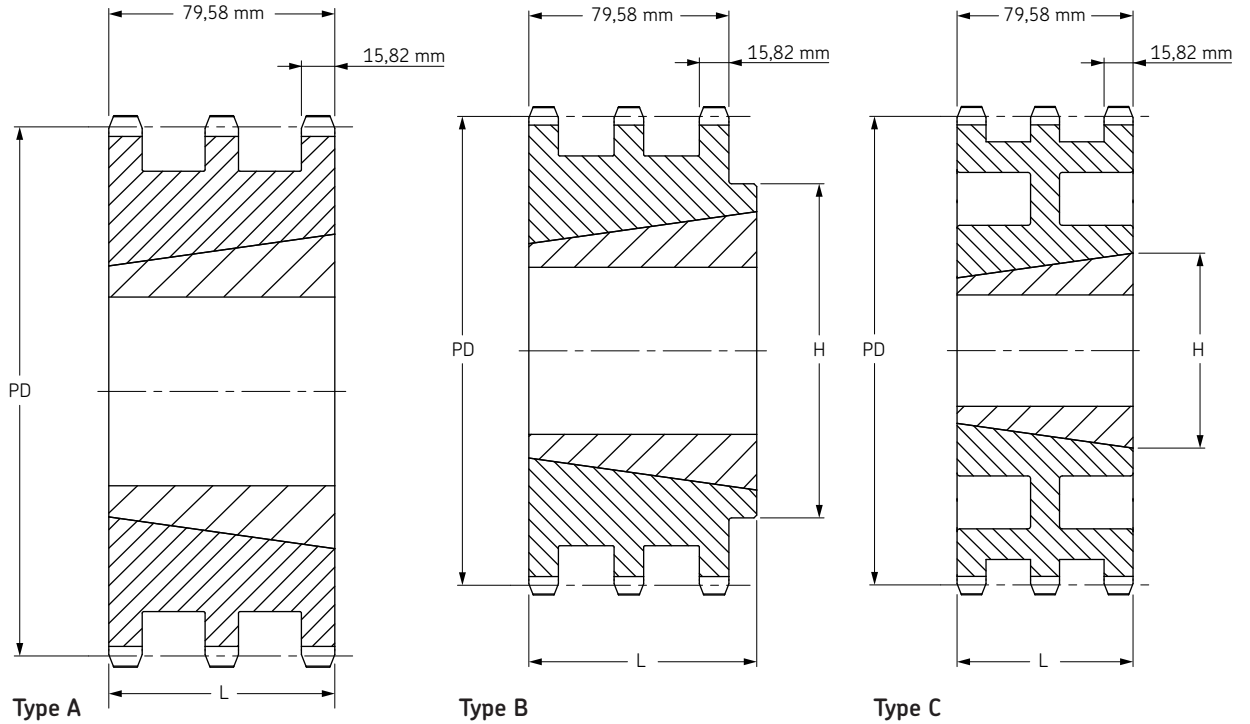


# Metric sprockets

Triplex  
Taper Bushed

- ▶ ..... Belts
- ▶ ..... Chains
- ▶ ..... Couplings
- ▶ ..... Bushings and Hubs
- ▶ ..... Sprockets
- ▶ ..... Pulleys
- ▶ ..... Smart tools

## ISO 16B-3 25,40 mm Pitch



### Taper Bushed Type A/B/C

No. Teeth	Pitch Diameter mm	Type	Bushing Size	Bore		Hub		Weight kg	Designation
				min mm	max mm	L mm	H mm		
17	138,22	A	2517	16	65	-	-	4,2	PHS 16B-3TB17
19	154,33	B	3020	35	75	-	76,2	4,3	PHS 16B-3TB19
21	170,43	B	3020	35	75	-	76,2	6,6	PHS 16B-3TB21
23	186,53	B	3525	35	100	-	65,0	7,0	PHS 16B-3TB23
25	202,66	B	3525	35	100	-	65,0	9,8	PHS 16B-3TB25
27	218,79	B	3525	35	100	-	65,0	12,8	PHS 16B-3TB27
30	243,00	B	3525	35	100	-	65,0	18,0	PHS 16B-3TB30
38	307,59	B	3535	35	100	178	89,0	21,5	PHS 16B-3TB38CI
45	364,13	C	4040	40	115	216	102,0	33,5	PHS 16B-3TB45CI
57	461,07	C	4040	40	115	216	102,0	39,5	PHS 16B-3TB57CI
76	614,65	C	4040	40	115	216	102,0	59,5	PHS 16B-3TB76CI

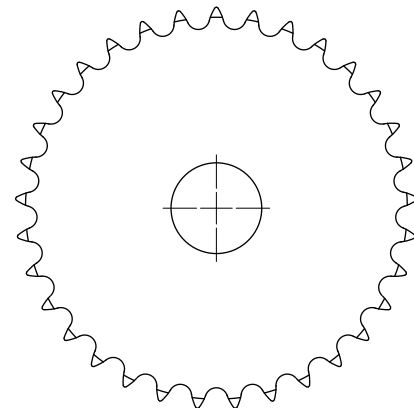
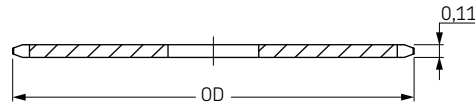
Maximum bores can accommodate standard keyways. Larger bores are available where a shallow keyway is used or no keyway is required.



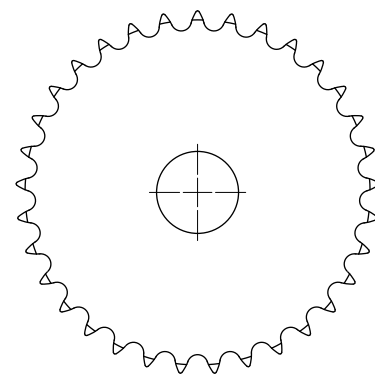
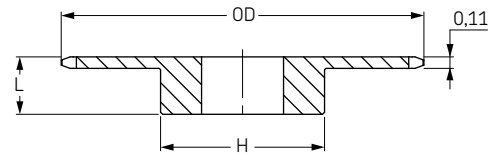
# ANSI Sprockets

Simplex  
Pilot Bore

ANSI 25-1 1/4" Pitch



Type A



Type B

Pilot Bore Type B

Type A

No. Teeth	Outside Diameter	Type	Bore		Hub		Weight lbs	Designation	No. Teeth	Outside Diameter	Type	Bore Stock	Weight lbs	Designation
			Min	Max	H	L								
9	0,837	B	1/4	1/4	7/16	1/2	0.03	PHS 25-1B9	9	0,837	-	-	-	-
10	0,919	B	1/4	1/4	1/2	1/2	0.03	PHS 25-1B10	10	0,919	-	-	-	-
11	1,002	B	1/4	5/16	9/16	1/2	0.04	PHS 25-1B11	11	1,002	-	-	-	-
12	1,083	B	1/4	3/8	5/8	1/2	0.06	PHS 25-1B12	12	1,083	-	-	-	-
13	1,167	B	1/4	7/16	23/32	1/2	0.07	PHS 25-1B13	13	1,167	-	-	-	-
14	1,246	B	1/4	9/16	13/16	1/2	0.08	PHS 25-1B14	14	1,246	-	-	-	-
15	1,326	B	1/4	9/16	57/64	1/2	0.10	PHS 25-1B15	15	1,326	-	-	-	-
16	1,407	B	1/4	9/16	31/32	1/2	0.12	PHS 25-1B16	16	1,407	-	-	-	-
17	1,487	B	1/4	5/8	1 1/32	1/2	0.14	PHS 25-1B17	17	1,487	-	-	-	-
18	1,568	B	1/4	3/4	1 1/8	1/2	0.16	PHS 25-1B18	18	1,568	A	1/4	0.04	PHS 25-1A18
19	1,648	B	1/4	13/16	1 7/32	1/2	0.19	PHS 25-1B19	19	1,648	A	1/4	0.04	PHS 25-1A19
20	1,729	B	1/4	7/8	1 9/32	5/8	0.25	PHS 25-1B20	20	1,729	A	1/4	0.04	PHS 25-1A20
21	1,809	B	1/4	7/8	1 3/8	5/8	0.28	PHS 25-1B21	21	1,809	A	3/8	0.04	PHS 25-1A21
22	1,889	B	1/4	15/16	1 7/16	5/8	0.31	PHS 25-1B22	22	1,889	A	3/8	0.06	PHS 25-1A22
23	1,969	B	1/4	1	1 1/2	5/8	0.32	PHS 25-1B23	23	1,969	A	3/8	0.06	PHS 25-1A23
24	2,049	B	3/8	1	1 1/2	5/8	0.33	PHS 25-1B24	24	2,049	A	3/8	0.08	PHS 25-1A24
25	2,129	B	3/8	1	1 1/2	5/8	0.34	PHS 25-1B25	25	2,129	A	3/8	0.08	PHS 25-1A25
26	2,209	B	3/8	1	1 1/2	5/8	0.35	PHS 25-1B26	26	2,209	A	3/8	0.09	PHS 25-1A26
28	2,369	B	3/8	1	1 1/2	5/8	0.36	PHS 25-1B28	28	2,369	A	3/8	0.10	PHS 25-1A28
30	2,529	B	3/8	1	1 1/2	5/8	0.38	PHS 25-1B30	30	2,529	A	3/8	0.12	PHS 25-1A30
32	2,688	B	3/8	1	1 1/2	5/8	0.40	PHS 25-1B32	32	2,688	A	3/8	0.14	PHS 25-1A32
35	2,928	-	-	-	-	-	-	-	35	2,928	A	3/8	0.16	PHS 25-1A35
36	3,008	B	3/8	1	1 1/2	3/4	0.50	PHS 25-1B36	36	3,008	A	3/8	0.18	PHS 25-1A36
40	3,327	B	1/2	1 3/8	2	3/4	0.53	PHS 25-1B40	40	3,327	A	1/2	0.20	PHS 25-1A40
42	3,486	-	-	-	-	-	-	-	42	3,486	A	1/2	0.24	PHS 25-1A42
45	3,725	B	1/2	1 3/8	2	3/4	0.56	PHS 25-1B45	45	3,725	A	1/2	0.25	PHS 25-1A45
48	3,964	B	1/2	1 3/8	2	3/4	0.56	PHS 25-1B48	48	3,964	A	1/2	0.32	PHS 25-1A48
54	4,442	B	1/2	1 3/8	2	3/4	1.00	PHS 25-1B54	54	4,442	A	1/2	0.38	PHS 25-1A54
60	4,920	B	1/2	1 3/8	2	3/4	1.10	PHS 25-1B60	60	4,920	A	1/2	0.54	PHS 25-1A60
70	5,717	B	1/2	1 3/8	2	3/4	1.25	PHS 25-1B70	70	5,717	-	-	-	-
72	5,876	B	1/2	1 3/8	2	3/4	1.30	PHS 25-1B72	72	5,876	A	1/2	0.74	PHS 25-1A72

Maximum bores can accommodate standard keyways. Larger bores are available where a shallow keyway is used or no keyway is required.

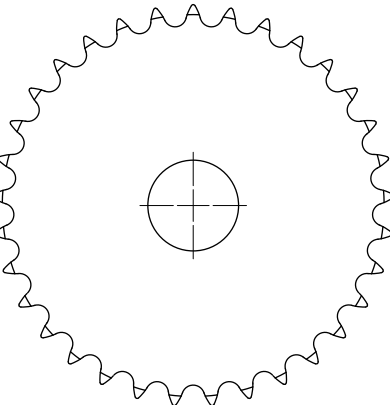
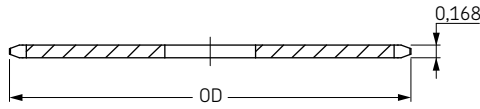


# ANSI Sprockets

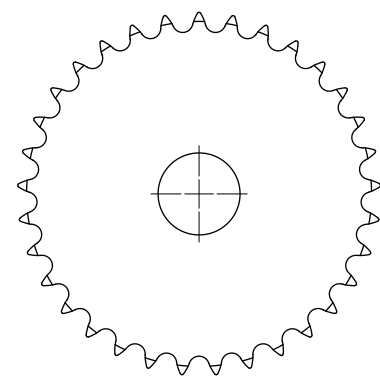
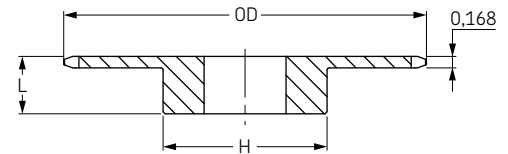
Simplex  
Pilot Bore

- ▶ ..... Belts
- ▶ ..... Chains
- ▶ ..... Couplings
- ▶ ..... Bushings and Hubs
- ▶ ..... Sprockets
- ▶ ..... Pulleys
- ▶ ..... Smart tools

## ANSI 35-1 3/8" Pitch



Type A



Type B

## Pilot Bore Type B

## Type A

No. Teeth	Outside Diameter	Type	Bore		Hub		Weight lbs	Designation	No. Teeth	Outside Diameter	Type	Bore Stock	Weight lbs	Designation
			Min	Max	H	L								
8	1.13	B	3/8	3/8	3/4	3/4	0.07	PHS 35-1B8	8	1.13	-	-	-	-
9	1.26	B	3/8	3/8	27/32	3/4	0.09	PHS 35-1B9	9	1.26	-	-	-	-
10	1.38	B	3/8	9/16	31/32	3/4	0.14	PHS 35-1B10	10	1.38	-	-	-	-
11	1.50	B	3/8	9/16	1 1/16	3/4	0.17	PHS 35-1B11	11	1.50	-	-	-	-
12	1.63	B	1/2	9/16	1 7/32	3/4	0.20	PHS 35-1B12	12	1.63	-	-	-	-
13	1.75	B	1/2	11/16	1 1/4	3/4	0.23	PHS 35-1B13	13	1.75	-	-	-	-
14	1.87	B	1/2	7/8	1 1/4	3/4	0.25	PHS 35-1B14	14	1.87	-	-	-	-
15	1.99	B	1/2	7/8	1 11/32	3/4	0.29	PHS 35-1B15	15	1.99	A	1/2	0.10	PHS 35-1A15
16	2.11	B	1/2	15/16	1 15/32	3/4	0.35	PHS 35-1B16	16	2.11	A	1/2	0.12	PHS 35-1A16
17	2.23	B	1/2	1 1/16	1 19/32	3/4	0.42	PHS 35-1B17	17	2.23	A	1/2	0.12	PHS 35-1A17
18	2.35	B	1/2	1 3/16	1 23/32	3/4	0.48	PHS 35-1B18	18	2.35	A	1/2	0.14	PHS 35-1A18
19	2.47	B	1/2	1 1/4	1 27/32	3/4	0.54	PHS 35-1B19	19	2.47	A	1/2	0.16	PHS 35-1A19
20	2.59	B	1/2	1 5/16	1 15/16	3/4	0.59	PHS 35-1B20	20	2.59	A	1/2	0.20	PHS 35-1A20
21	2.71	B	1/2	1 3/8	2	7/8	0.80	PHS 35-1B21	21	2.71	A	1/2	0.20	PHS 35-1A21
22	2.83	B	1/2	1 3/8	2	7/8	0.80	PHS 35-1B22	22	2.83	A	1/2	0.22	PHS 35-1A22
23	2.95	B	1/2	1 3/8	2	7/8	0.82	PHS 35-1B23	23	2.95	A	1/2	0.24	PHS 35-1A23
24	3.07	B	1/2	1 3/8	2	7/8	0.88	PHS 35-1B24	24	3.07	A	1/2	0.26	PHS 35-1A24
25	3.19	B	1/2	1 3/8	2	7/8	0.88	PHS 35-1B25	25	3.19	A	1/2	0.28	PHS 35-1A25
26	3.31	B	1/2	1 3/8	2	7/8	0.90	PHS 35-1B26	26	3.31	A	1/2	0.28	PHS 35-1A26
27	3.43	B	1/2	1 3/8	2	7/8	0.94	PHS 35-1B27	27	3.43	A	1/2	0.34	PHS 35-1A27
28	3.55	B	1/2	1 3/8	2	7/8	0.94	PHS 35-1B28	28	3.55	A	1/2	0.34	PHS 35-1A28
30	3.79	B	1/2	1 3/8	2	7/8	1.02	PHS 35-1B30	30	3.79	A	1/2	0.46	PHS 35-1A30
32	4.03	B	1/2	1 3/8	2	7/8	1.24	PHS 35-1B32	32	4.03	A	5/8	0.46	PHS 35-1A32
35	4.39	B	5/8	1 1/2	2 1/4	7/8	1.50	PHS 35-1B35	35	4.39	A	5/8	0.60	PHS 35-1A35
36	4.51	B	5/8	1 1/2	2 1/4	7/8	1.56	PHS 35-1B36	36	4.51	A	5/8	0.62	PHS 35-1A36
40	4.99	B	5/8	1 1/2	2 1/4	1	1.62	PHS 35-1B40	40	4.99	A	19/32	0.70	PHS 35-1A40
42	5.23	B	5/8	1 1/2	2 1/4	1	1.68	PHS 35-1B42	42	5.23	A	19/32	0.78	PHS 35-1A42
45	5.59	B	5/8	1 1/2	2 1/4	1	1.78	PHS 35-1B45	45	5.59	A	19/32	0.88	PHS 35-1A45
48	5.95	B	5/8	1 1/2	2 1/4	1	1.88	PHS 35-1B48	48	5.95	A	19/32	1.21	PHS 35-1A48
54	6.66	B	5/8	1 1/2	2 1/4	1	2.20	PHS 35-1B54	54	6.66	A	19/32	1.32	PHS 35-1A54
60	7.38	B	3/4	1 1/2	2 1/4	1	2.48	PHS 35-1B60	60	7.38	A	23/32	1.66	PHS 35-1A60
70	8.58	B	3/4	1 1/2	2 1/4	1	3.12	PHS 35-1B70	70	8.58	A	23/32	2.30	PHS 35-1A70
72	8.81	B	3/4	1 1/2	2 1/4	1	3.42	PHS 35-1B72	72	8.81	A	23/32	2.56	PHS 35-1A72
80	9.77	B	3/4	1 1/2	2 1/4	1	3.82	PHS 35-1B80	80	9.77	A	23/32	3.16	PHS 35-1A80
84	10.25	B	3/4	1 1/2	2 1/4	1	4.24	PHS 35-1B84	84	10.25	A	23/32	3.26	PHS 35-1A84
96	11.68	B	3/4	1 1/2	2 1/4	1	5.16	PHS 35-1B96	96	11.68	A	23/32	4.64	PHS 35-1A96
112	13.59	B	3/4	1 1/2	2 1/4	1	6.70	PHS 35-1B112	112	13.59	A	23/32	5.05	PHS 35-1A112

Maximum bores can accommodate standard keyways. Larger bores are available where a shallow keyway is used or no keyway is required.

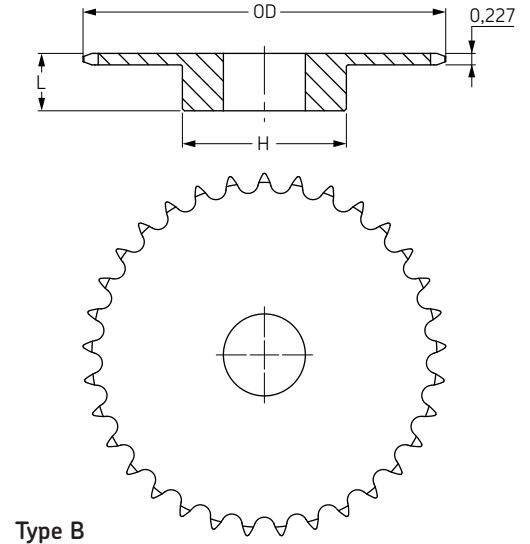
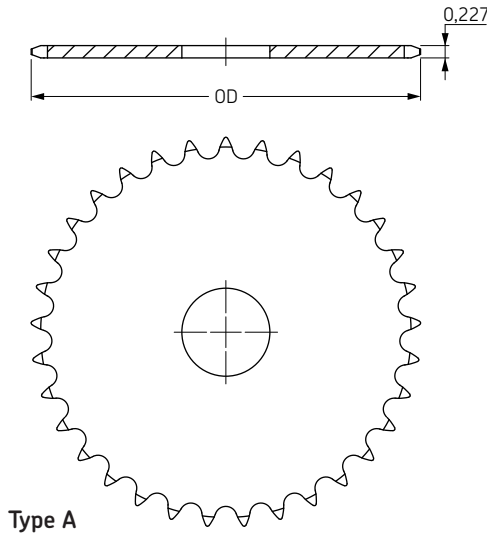


# ANSI Sprockets

Simplex  
Pilot Bore



## ANSI 41-1 1/2" Pitch



## Pilot Bore Type B

## Type A

No. Teeth	Outside Diameter	Type	Bore		Hub		Weight lbs	Designation	No. Teeth	Outside Diameter	Type	Bore Stock	Weight lbs	Designation
			Min	Max.	H	L								
	Inch		Inch	Inch	Inch	Inch			Inch		Inch			
6	1.17	B	3/8	3/8	21/32	7/8	0.07	PHS 41-1B6	6	1.17	-	-	-	-
7	1.34	B	3/8	3/8	3/4	7/8	0.10	PHS 41-1B7	7	1.34	-	-	-	-
8	1.51	B	1/2	1/2	63/64	7/8	0.19	PHS 41-1B8	8	1.51	-	-	-	-
9	1.67	B	1/2	5/8	1 1/8	7/8	0.20	PHS 41-1B9	9	1.67	-	-	-	-
10	1.84	B	1/2	3/4	1 1/4	7/8	0.27	PHS 41-1B10	10	1.84	-	-	-	-
11	2.00	B	1/2	7/8	1 7/16	7/8	0.35	PHS 41-1B11	11	2.00	-	-	-	-
12	2.17	B	1/2	15/16	1 9/16	7/8	0.44	PHS 41-1B12	12	2.17	-	-	-	-
13	2.33	B	1/2	1	1 9/16	7/8	0.50	PHS 41-1B13	13	2.33	-	-	-	-
14	2.49	B	1/2	1 1/4	1 3/4	7/8	0.57	PHS 41-1B14	14	2.49	-	-	-	-
15	2.65	B	1/2	1 5/16	1 29/32	7/8	0.72	PHS 41-1B15	15	2.65	A	5/8	0.28	PHS 41-1A15
16	2.81	B	5/8	1 3/8	2 1/16	7/8	0.91	PHS 41-1B16	16	2.81	A	5/8	0.34	PHS 41-1A16
17	2.97	B	5/8	1 1/2	2 15/64	1	1.09	PHS 41-1B17	17	2.97	A	5/8	0.36	PHS 41-1A17
18	3.14	B	5/8	1 5/8	2 3/8	1	1.25	PHS 41-1B18	18	3.14	A	5/8	0.44	PHS 41-1A18
19	3.30	B	5/8	1 3/4	2 15/32	1	1.49	PHS 41-1B19	19	3.30	A	5/8	0.46	PHS 41-1A19
20	3.46	B	5/8	1 7/8	2 3/4	1	1.64	PHS 41-1B20	20	3.46	A	5/8	0.52	PHS 41-1A20
21	3.62	B	5/8	1 7/8	2 7/8	1	1.81	PHS 41-1B21	21	3.62	A	5/8	0.60	PHS 41-1A21
22	3.78	B	5/8	2	3	1	1.93	PHS 41-1B22	22	3.78	A	5/8	0.66	PHS 41-1A22
23	3.94	B	5/8	2 1/4	3 3/16	1	2.25	PHS 41-1B23	23	3.94	A	5/8	0.72	PHS 41-1A23
24	4.10	B	5/8	2 1/4	3 1/4	1	2.33	PHS 41-1B24	24	4.10	A	5/8	0.82	PHS 41-1A24
25	4.26	B	5/8	2 1/4	3 1/4	1	2.46	PHS 41-1B25	25	4.26	A	5/8	0.88	PHS 41-1A25
26	4.42	B	5/8	2 1/4	3 1/4	1	2.50	PHS 41-1B26	26	4.42	A	5/8	0.94	PHS 41-1A26
27	4.58	B	5/8	2 1/4	3 1/4	1	2.56	PHS 41-1B27	27	4.58	A	5/8	1.00	PHS 41-1A27
28	4.74	B	5/8	2 1/4	3 1/4	1	2.64	PHS 41-1B28	28	4.74	A	5/8	1.08	PHS 41-1A28
30	5.06	B	5/8	2 1/4	3 1/4	1	2.80	PHS 41-1B30	30	5.06	A	19/32	1.20	PHS 41-1A30
32	5.38	B	5/8	2 1/4	3 1/4	1	2.96	PHS 41-1B32	32	5.38	A	19/32	1.44	PHS 41-1A32
35	5.86	B	5/8	2 3/8	3 1/4	1	3.12	PHS 41-1B35	35	5.86	A	19/32	1.70	PHS 41-1A35
36	6.02	B	5/8	2 3/8	3 1/4	1	3.32	PHS 41-1B36	36	6.02	A	19/32	1.84	PHS 41-1A36
40	6.65	B	3/4	2 3/8	3 1/4	1 1/16	4.06	PHS 41-1B40	40	6.65	A	23/32	2.22	PHS 41-1A40
42	6.97	B	3/4	2 3/8	3 1/2	1 1/16	4.10	PHS 41-1B42	42	6.97	A	23/32	2.50	PHS 41-1A42
45	7.45	B	3/4	2 3/8	3 1/2	1 1/16	4.18	PHS 41-1B45	45	7.45	A	23/32	2.52	PHS 41-1A45
48	7.93	B	3/4	2 3/8	3 1/2	1 1/16	4.92	PHS 41-1B48	48	7.93	A	23/32	2.92	PHS 41-1A48
54	8.88	B	3/4	2 3/8	3 1/2	1 1/16	5.68	PHS 41-1B54	54	8.88	A	23/32	3.54	PHS 41-1A54
60	9.84	B	3/4	2 3/8	3 1/2	1 1/16	6.78	PHS 41-1B60	60	9.84	A	23/32	4.60	PHS 41-1A60
70	11.43	B	3/4	2 3/4	4	1 3/16	9.54	PHS 41-1B70	70	11.43	A	23/32	6.22	PHS 41-1A70
72	11.75	B	3/4	2 3/4	4	1 3/16	9.64	PHS 41-1B72	72	11.75	A	23/32	6.32	PHS 41-1A72
80	13.03	B	3/4	2 3/4	4	1 3/16	11.54	PHS 41-1B80	80	13.03	A	23/32	8.46	PHS 41-1A80
84	13.66	B	3/4	2 3/4	4	1 3/16	12.20	PHS 41-1B84	84	13.66	A	23/32	9.12	PHS 41-1A84
96	15.57	B	1	2 3/4	4	1 3/16	14.86	PHS 41-1B96	96	15.57	A	15/16	11.84	PHS 41-1A96
112	18.12	B	1	2 3/4	4	1 3/16	19.16	PHS 41-1B112	112	18.12	A	15/16	15.84	PHS 41-1A112

Maximum bores can accommodate standard keyways. Larger bores are available where a shallow keyway is used or no keyway is required.

# ANSI Sprockets

Simplex  
Pilot Bore

- ▶ ..... Belts
- ▶ ..... Chains
- ▶ ..... Couplings
- ▶ ..... Bushings and Hubs
- ▶ ..... Sprockets
- ▶ ..... Pulleys
- ▶ ..... Smart tools

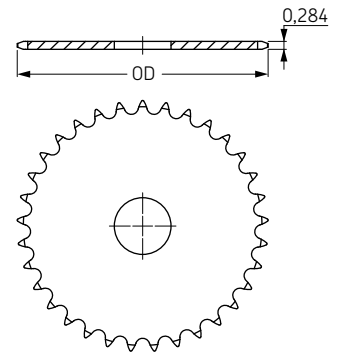
## ANSI 40-1 1/2" Pitch

### Pilot Bore Type B

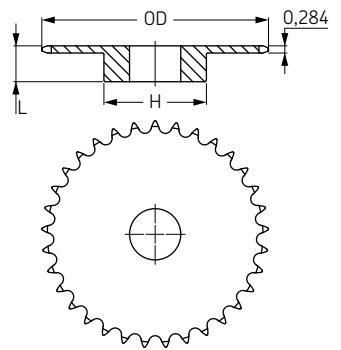
No. Teeth	Outside Diameter	Type	Bore		Hub		Weight lbs	Designation
			Min	Max	H	L		
			Inch	Inch	Inch	Inch		
8	1.50	B	1/2	1/2	31/32	7/8	0.18	PHS 40-1B8
9	1.67	B	1/2	9/16	1 1/16	7/8	0.20	PHS 40-1B9
10	1.84	B	1/2	3/4	1 1/4	7/8	0.27	PHS 40-1B10
11	2.00	B	1/2	7/8	1 3/8	7/8	0.35	PHS 40-1B11
12	2.17	B	1/2	1	1 9/16	7/8	0.45	PHS 40-1B12
13	2.33	B	1/2	1 1/16	1 9/16	7/8	0.50	PHS 40-1B13
14	2.49	B	1/2	1 1/8	1 11/16	7/8	0.59	PHS 40-1B14
15	2.65	B	1/2	1 1/4	1 13/16	7/8	0.70	PHS 40-1B15
16	2.81	B	5/8	1 3/8	2	7/8	0.79	PHS 40-1B16
17	2.98	B	5/8	1 7/16	2 1/8	1	1.04	PHS 40-1B17
18	3.14	B	5/8	1 1/2	2 5/16	1	1.22	PHS 40-1B18
19	3.30	B	5/8	1 3/4	2 1/2	1	1.43	PHS 40-1B19
20	3.46	B	5/8	1 7/8	2 5/8	1	1.56	PHS 40-1B20
21	3.62	B	5/8	1 7/8	2 3/4	1	1.73	PHS 40-1B21
22	3.78	B	5/8	1 7/8	2 7/8	1	1.96	PHS 40-1B22
23	3.94	B	5/8	2	3	1	2.13	PHS 40-1B23
24	4.10	B	5/8	2 1/4	3 1/4	1	2.41	PHS 40-1B24
25	4.26	B	5/8	2 1/4	3 1/4	1	2.54	PHS 40-1B25
26	4.42	B	5/8	2 1/4	3 1/4	1	2.58	PHS 40-1B26
27	4.58	B	5/8	2 1/4	3 1/4	1	2.66	PHS 40-1B27
28	4.74	B	5/8	2 1/4	3 1/4	1	2.73	PHS 40-1B28
29	4.90	B	5/8	2 1/4	3 1/4	1	2.80	PHS 40-1B29
30	5.06	B	5/8	2 1/4	3 1/4	1	2.98	PHS 40-1B30
31	5.22	B	5/8	2 1/4	3 1/4	1	3.10	PHS 40-1B31
32	5.38	B	5/8	2 1/4	3 1/4	1	3.16	PHS 40-1B32
33	5.54	B	5/8	2 1/4	3 1/4	1	3.22	PHS 40-1B33
34	5.70	B	5/8	2 1/4	3 1/4	1	3.30	PHS 40-1B34
35	5.86	B	5/8	2 1/4	3 1/4	1	3.46	PHS 40-1B35
36	6.02	B	5/8	2 1/4	3 1/4	1	3.58	PHS 40-1B36
37	6.18	B	5/8	2 1/4	3 1/4	1	3.62	PHS 40-1B37
38	6.33	B	5/8	2 1/4	3 1/4	1	3.70	PHS 40-1B38
39	6.49	B	5/8	2 1/4	3 1/4	1	3.76	PHS 40-1B39
40	6.65	B	3/4	2 3/8	3 1/2	1 1/8	4.69	PHS 40-1B40
41	6.81	B	3/4	2 3/8	3 1/2	1 1/8	4.76	PHS 40-1B41
42	6.97	B	3/4	2 3/8	3 1/2	1 1/8	4.82	PHS 40-1B42
43	7.13	B	3/4	2 3/8	3 1/2	1 1/8	5.12	PHS 40-1B43
44	7.29	B	3/4	2 3/8	3 1/2	1 1/8	5.15	PHS 40-1B44
45	7.45	B	3/4	2 3/8	3 1/2	1 1/8	5.30	PHS 40-1B45
46	7.61	B	3/4	2 3/8	3 1/2	1 1/8	5.57	PHS 40-1B46
47	7.77	B	3/4	2 3/8	3 1/2	1 1/8	5.44	PHS 40-1B47
48	7.93	B	3/4	2 3/8	3 1/2	1 1/8	5.84	PHS 40-1B48
49	8.09	B	3/4	2 3/8	3 1/2	1 1/8	5.90	PHS 40-1B49
50	8.25	B	3/4	2 3/8	3 1/2	1 1/8	5.96	PHS 40-1B50
51	8.41	B	3/4	2 3/8	3 1/2	1 1/8	6.08	PHS 40-1B51
52	8.57	B	3/4	2 3/8	3 1/2	1 1/8	6.28	PHS 40-1B52
53	8.73	B	3/4	2 3/8	3 1/2	1 1/8	6.33	PHS 40-1B53
54	8.89	B	3/4	2 3/8	3 1/2	1 1/8	6.42	PHS 40-1B54
55	9.04	B	3/4	2 3/8	3 1/2	1 1/8	6.46	PHS 40-1B55
56	9.20	B	3/4	2 3/8	3 1/2	1 1/8	6.89	PHS 40-1B56
57	9.36	B	3/4	2 3/8	3 1/2	1 1/8	7.02	PHS 40-1B57
58	9.52	B	3/4	2 3/8	3 1/2	1 1/8	7.36	PHS 40-1B58
59	9.68	B	3/4	2 3/8	3 1/2	1 1/8	7.45	PHS 40-1B59
60	9.84	B	3/4	2 3/8	3 1/2	1 1/8	7.86	PHS 40-1B60
70	11.43	B	3/4	2 3/4	4	1 1/4	11.00	PHS 40-1B70
72	11.75	B	3/4	2 3/4	4	1 1/4	11.50	PHS 40-1B72
80	13.03	B	3/4	2 3/4	4	1 1/4	13.40	PHS 40-1B80
84	13.66	B	3/4	2 3/4	4	1 1/4	14.04	PHS 40-1B84
96	15.57	B	1	2 3/4	4	1 1/4	17.56	PHS 40-1B96
112	18.12	B	1	2 3/4	4	1 1/4	22.56	PHS 40-1B112

### Type A

No. Teeth	Outside Diameter	Type	Bore Stock	Weight lbs	Designation	
						Inch
						Inch
8	1.50	-	-	-	-	
9	1.67	-	-	-	-	
10	1.84	-	-	-	-	
11	2.00	-	-	-	-	
12	2.17	A	1/2	0.18	PHS 40-1A12	
13	2.33	A	1/2	0.22	PHS 40-1A13	
14	2.49	A	1/2	0.26	PHS 40-1A14	
15	2.65	A	5/8	0.30	PHS 40-1A15	
16	2.81	A	5/8	0.34	PHS 40-1A16	
17	2.98	A	5/8	0.36	PHS 40-1A17	
18	3.14	A	5/8	0.44	PHS 40-1A18	
19	3.30	A	5/8	0.46	PHS 40-1A19	
20	3.46	A	5/8	0.56	PHS 40-1A20	
21	3.62	A	5/8	0.58	PHS 40-1A21	
22	3.78	A	5/8	0.66	PHS 40-1A22	
23	3.94	A	5/8	0.72	PHS 40-1A23	
24	4.10	A	5/8	0.82	PHS 40-1A24	
25	4.26	A	5/8	0.88	PHS 40-1A25	
26	4.42	A	5/8	0.94	PHS 40-1A26	
27	4.58	A	5/8	0.98	PHS 40-1A27	
28	4.74	A	5/8	1.10	PHS 40-1A28	
29	4.90	A	19/32	1.22	PHS 40-1A29	
30	5.06	A	19/32	1.26	PHS 40-1A30	
31	5.22	A	19/32	1.40	PHS 40-1A31	
32	5.38	A	19/32	1.48	PHS 40-1A32	
33	5.54	A	19/32	1.56	PHS 40-1A33	
34	5.70	A	19/32	1.64	PHS 40-1A34	
35	5.86	A	19/32	1.70	PHS 40-1A35	
36	6.02	A	19/32	1.84	PHS 40-1A36	
37	6.18	A	19/32	1.92	PHS 40-1A37	
38	6.33	A	19/32	2.00	PHS 40-1A38	
39	6.49	A	19/32	2.02	PHS 40-1A39	
40	6.65	A	23/32	2.22	PHS 40-1A40	
41	6.81	A	23/32	2.42	PHS 40-1A41	
42	6.97	A	23/32	2.50	PHS 40-1A42	
43	7.13	A	23/32	2.80	PHS 40-1A43	
44	7.29	A	23/32	2.85	PHS 40-1A44	
45	7.45	A	23/32	3.15	PHS 40-1A45	
46	7.61	A	23/32	3.26	PHS 40-1A46	
47	7.77	A	23/32	3.32	PHS 40-1A47	
48	7.93	A	23/32	3.22	PHS 40-1A48	
49	8.09	A	23/32	3.44	PHS 40-1A49	
50	8.25	A	23/32	3.62	PHS 40-1A50	
51	8.41	A	23/32	3.94	PHS 40-1A51	
52	8.57	A	23/32	4.08	PHS 40-1A52	
53	8.73	A	23/32	4.04	PHS 40-1A53	
54	8.89	A	23/32	4.44	PHS 40-1A54	
55	9.04	A	23/32	4.54	PHS 40-1A55	
56	9.20	A	23/32	4.84	PHS 40-1A56	
57	9.36	A	23/32	5.00	PHS 40-1A57	
58	9.52	A	23/32	5.12	PHS 40-1A58	
59	9.68	A	23/32	5.30	PHS 40-1A59	
60	9.84	A	23/32	5.48	PHS 40-1A60	
70	11.43	A	23/32	7.24	PHS 40-1A70	
72	11.75	A	23/32	7.74	PHS 40-1A72	
80	13.03	A	23/32	10.20	PHS 40-1A80	
84	13.66	A	23/32	10.07	PHS 40-1A84	
96	15.57	A	15/16	12.15	PHS 40-1A96	
112	18.12	A	15/16	20.00	PHS 40-1A112	



Type A



Type B

Maximum bores can accommodate standard keyways. Larger bores are available where a shallow keyway is used or no keyway is required.



# ANSI Sprockets

Simplex  
Pilot Bore

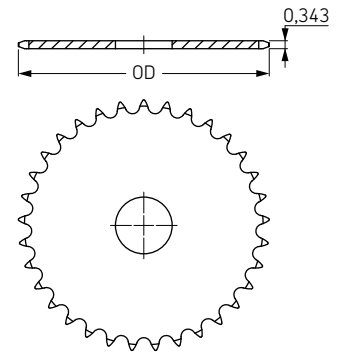


## ANSI 50-1 5/8" Pitch

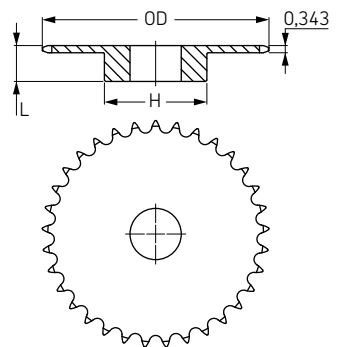
### Pilot Bore Type B

### Type A

No. Teeth	Outside Diameter	Type	Bore		Hub		Weight lbs	Designation	No. Teeth	Outside Diameter	Type	Bore Stock	Weight lbs	Designation	
			Min	Max	H	L									
			Inch	Inch	Inch	Inch									
8	1.88	B	5/8	5/8	1 1/8	1	0.25	PHS 50-1B8	8	1.88	-	-	-	-	
9	2.09	B	5/8	3/4	1 3/8	1	0.36	PHS 50-1B9	9	2.09	-	-	-	-	-
10	2.30	B	5/8	7/8	1 9/16	1	0.48	PHS 50-1B10	10	2.30	-	-	-	-	-
11	2.50	B	5/8	1	1 3/4	1	0.64	PHS 50-1B11	11	2.50	-	-	-	-	-
12	2.71	B	5/8	1 1/4	1 63/64	1	0.83	PHS 50-1B12	12	2.71	A	5/8	0.34	PHS 50-1A12	
13	2.91	B	5/8	1 5/16	1 7/8	1	0.88	PHS 50-1B13	13	2.91	A	5/8	0.42	PHS 50-1A13	
14	3.11	B	5/8	1 7/16	2 1/8	1	1.13	PHS 50-1B14	14	3.11	A	5/8	0.50	PHS 50-1A14	
15	3.32	B	5/8	1 1/2	2 3/8	1	1.34	PHS 50-1B15	15	3.32	A	5/8	0.54	PHS 50-1A15	
16	3.52	B	5/8	1 3/4	2 1/2	1	1.51	PHS 50-1B16	16	3.52	A	5/8	0.68	PHS 50-1A16	
17	3.72	B	5/8	1 7/8	2 11/16	1	1.74	PHS 50-1B17	17	3.72	A	5/8	0.76	PHS 50-1A17	
18	3.92	B	5/8	1 7/8	2 7/8	1	2.00	PHS 50-1B18	18	3.92	A	5/8	0.86	PHS 50-1A18	
19	4.12	B	5/8	2	3	1	2.22	PHS 50-1B19	19	4.12	A	5/8	0.94	PHS 50-1A19	
20	4.32	B	3/4	2	3	1	2.28	PHS 50-1B20	20	4.32	A	3/4	1.06	PHS 50-1A20	
21	4.52	B	3/4	2	3	1	2.40	PHS 50-1B21	21	4.52	A	3/4	1.12	PHS 50-1A21	
22	4.72	B	3/4	2	3	1	2.56	PHS 50-1B22	22	4.72	A	3/4	1.30	PHS 50-1A22	
23	4.92	B	3/4	2	3	1	2.66	PHS 50-1B23	23	4.92	A	3/4	1.44	PHS 50-1A23	
24	5.12	B	3/4	2	3	1 1/4	3.30	PHS 50-1B24	24	5.12	A	23/32	1.50	PHS 50-1A24	
25	5.32	B	3/4	2	3	1 1/4	3.40	PHS 50-1B25	25	5.32	A	23/32	1.62	PHS 50-1A25	
26	5.52	B	3/4	2	3	1 1/4	3.44	PHS 50-1B26	26	5.52	A	23/32	1.72	PHS 50-1A26	
27	5.72	B	3/4	2	3	1 1/4	3.74	PHS 50-1B27	27	5.72	A	23/32	1.96	PHS 50-1A27	
28	5.92	B	3/4	2	3	1 1/4	3.80	PHS 50-1B28	28	5.92	A	23/32	2.04	PHS 50-1A28	
29	6.12	B	3/4	2	3	1 1/4	4.06	PHS 50-1B29	29	6.12	A	23/32	2.36	PHS 50-1A29	
30	6.32	B	3/4	2 1/4	3 3/4	1 1/4	4.56	PHS 50-1B30	30	6.32	A	23/32	2.54	PHS 50-1A30	
31	6.52	B	3/4	2 3/4	3 3/4	1 1/4	4.74	PHS 50-1B31	31	6.52	A	23/32	2.80	PHS 50-1A31	
32	6.72	B	3/4	2 3/4	3 3/4	1 1/4	4.96	PHS 50-1B32	32	6.72	A	23/32	2.72	PHS 50-1A32	
33	6.92	B	3/4	2 3/4	3 3/4	1 1/4	5.20	PHS 50-1B33	33	6.92	A	23/32	3.14	PHS 50-1A33	
34	7.12	B	3/4	2 3/4	3 3/4	1 1/4	5.14	PHS 50-1B34	34	7.12	A	23/32	3.20	PHS 50-1A34	
35	7.32	B	3/4	2 3/4	3 3/4	1 1/4	5.44	PHS 50-1B35	35	7.32	A	23/32	3.34	PHS 50-1A35	
36	7.52	B	3/4	2 3/4	3 3/4	1 1/4	5.64	PHS 50-1B36	36	7.52	A	23/32	3.82	PHS 50-1A36	
37	7.72	B	3/4	2 3/4	3 3/4	1 1/4	5.90	PHS 50-1B37	37	7.72	A	23/32	3.98	PHS 50-1A37	
38	7.92	B	3/4	2 3/4	3 3/4	1 1/4	6.08	PHS 50-1B38	38	7.92	A	23/32	4.14	PHS 50-1A38	
39	8.12	B	3/4	2 3/4	3 3/4	1 1/4	6.30	PHS 50-1B39	39	8.12	A	23/32	4.42	PHS 50-1A39	
40	8.32	B	3/4	2 3/4	3 3/4	1 1/4	6.50	PHS 50-1B40	40	8.32	A	23/32	4.46	PHS 50-1A40	
41	8.52	B	3/4	2 3/4	3 3/4	1 1/4	6.64	PHS 50-1B41	41	8.52	A	23/32	4.86	PHS 50-1A41	
42	8.72	B	3/4	2 3/4	3 3/4	1 1/4	6.96	PHS 50-1B42	42	8.72	A	23/32	4.98	PHS 50-1A42	
43	8.91	B	3/4	2 3/4	3 3/4	1 1/4	7.06	PHS 50-1B43	43	8.91	A	23/32	5.24	PHS 50-1A43	
44	9.11	B	3/4	2 3/4	3 3/4	1 1/4	7.58	PHS 50-1B44	44	9.11	A	23/32	5.42	PHS 50-1A44	
45	9.31	B	3/4	2 1/2	3 3/4	1 1/4	8.58	PHS 50-1B45	45	9.31	A	23/32	5.92	PHS 50-1A45	
46	9.51	B	1	2 1/2	3 3/4	1 1/4	8.22	PHS 50-1B46	46	9.51	A	15/16	6.42	PHS 50-1A46	
47	9.71	B	1	2 1/2	3 3/4	1 1/4	8.48	PHS 50-1B47	47	9.71	A	15/16	6.50	PHS 50-1A47	
48	9.91	B	1	2 1/2	3 3/4	1 1/4	9.28	PHS 50-1B48	48	9.91	A	15/16	6.58	PHS 50-1A48	
49	10.11	B	1	2 1/2	3 3/4	1 1/4	9.22	PHS 50-1B49	49	10.11	A	15/16	7.06	PHS 50-1A49	
50	10.31	B	1	2 1/2	3 3/4	1 1/4	9.88	PHS 50-1B50	50	10.31	A	15/16	7.10	PHS 50-1A50	
51	10.51	B	1	2 1/2	3 3/4	1 1/4	9.70	PHS 50-1B51	51	10.51	A	15/16	7.32	PHS 50-1A51	
52	10.71	B	1	2 1/2	3 3/4	1 1/4	10.24	PHS 50-1B52	52	10.71	A	15/16	7.98	PHS 50-1A52	
53	10.91	B	1	2 1/2	3 3/4	1 1/4	10.48	PHS 50-1B53	53	10.91	A	15/16	8.08	PHS 50-1A53	
54	11.11	B	1	2 1/2	3 3/4	1 1/4	11.00	PHS 50-1B54	54	11.11	A	15/16	8.30	PHS 50-1A54	
55	11.31	B	1	2 1/2	3 3/4	1 1/4	10.93	PHS 50-1B55	55	11.31	A	15/16	8.56	PHS 50-1A55	
56	11.50	B	1	2 1/2	3 3/4	1 1/4	11.50	PHS 50-1B56	56	11.50	A	15/16	8.90	PHS 50-1A56	
57	11.70	B	1	2 1/2	3 3/4	1 1/4	12.00	PHS 50-1B57	57	11.70	A	15/16	9.38	PHS 50-1A57	
58	11.90	B	1	2 1/2	3 3/4	1 1/4	11.82	PHS 50-1B58	58	11.90	A	15/16	10.30	PHS 50-1A58	
59	12.10	B	1	2 1/2	3 3/4	1 1/4	12.32	PHS 50-1B59	59	12.10	A	15/16	10.50	PHS 50-1A59	
60	12.30	B	1	2 1/2	3 3/4	1 1/4	13.00	PHS 50-1B60	60	12.30	A	15/16	10.80	PHS 50-1A60	
70	14.29	B	1	2 1/2	3 3/4	1 3/4	18.16	PHS 50-1B70	70	14.29	A	15/16	14.00	PHS 50-1A70	
72	14.69	B	1	2 1/2	3 3/4	1 3/4	19.48	PHS 50-1B72	72	14.69	A	15/16	15.24	PHS 50-1A72	
76	15.49	B	1	2 1/2	3 3/4	1 3/4	21.00	PHS 50-1B76	76	15.49	A	15/16	20.08	PHS 50-1A76	
80	16.28	B	1	2 3/4	4 1/4	1 3/4	24.74	PHS 50-1B80	80	16.28	A	15/16	21.00	PHS 50-1A80	
84	17.08	B	1	2 3/4	4 1/4	1 3/4	25.50	PHS 50-1B84	84	17.08	A	15/16	22.08	PHS 50-1A84	
95	19.27	B	1	2 3/4	4 1/4	1 3/4	32.00	PHS 50-1B95	95	19.27	A	15/16	27.00	PHS 50-1A95	
96	19.47	B	1	2 3/4	4 1/4	1 3/4	32.92	PHS 50-1B96	96	19.47	A	15/16	27.40	PHS 50-1A96	
112	22.65	B	1	2 3/4	4 1/4	1 3/4	42.00	PHS 50-1B112	112	22.65	A	15/16	37.70	PHS 50-1A112	



Type A



Type B

Maximum bores can accommodate standard keyways. Larger bores are available where a shallow keyway is used or no keyway is required.

# ANSI Sprockets

Simplex  
Pilot Bore

- ▶ ..... Belts
- ▶ ..... Chains
- ▶ ..... Couplings
- ▶ ..... Bushings and Hubs
- ▶ ..... Sprockets
- ▶ ..... Pulleys
- ▶ ..... Smart tools

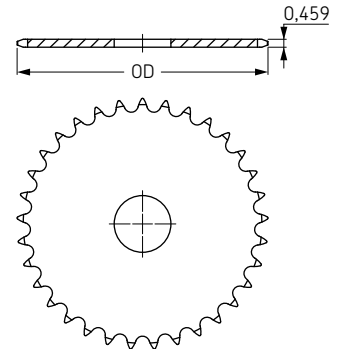
## ANSI 60-1 3/4" Pitch

### Pilot Bore Type B

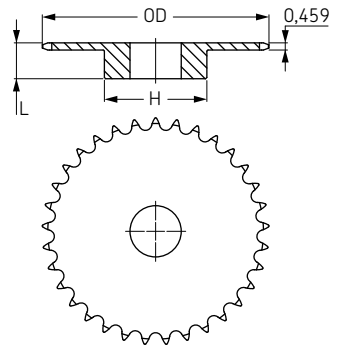
No. Teeth	Outside Diameter	Type	Bore		Hub		Weight lbs	Designation
			Min	Max	H	L		
			Inch	Inch	Inch	Inch		
8	2,26	B	5/8	5/8	1 15/32	1 1/4	0,54	PHS 60-1B8
9	2,51	B	3/4	7/8	1 9/16	1 1/4	0,64	PHS 60-1B9
10	2,76	B	3/4	1 1/8	1 15/16	1 1/4	0,99	PHS 60-1B10
11	3,00	B	3/4	1 5/16	2 1/16	1 1/4	1,16	PHS 60-1B11
12	3,25	B	3/4	1 3/8	2 3/8	1 1/4	1,47	PHS 60-1B12
13	3,49	B	3/4	1 1/2	2 11/32	1 1/4	1,66	PHS 60-1B13
14	3,74	B	3/4	1 3/4	2 9/16	1 1/4	2,00	PHS 60-1B14
15	3,98	B	3/4	1 7/8	2 7/8	1 1/4	2,51	PHS 60-1B15
16	4,22	B	3/4	2	3 1/16	1 1/4	2,81	PHS 60-1B16
17	4,46	B	3/4	2 1/4	3 3/4	1 1/4	3,22	PHS 60-1B17
18	4,70	B	3/4	2 3/8	3 1/2	1 1/4	3,72	PHS 60-1B18
19	4,95	B	3/4	2 3/8	3 1/2	1 1/4	3,92	PHS 60-1B19
20	5,19	B	3/4	2 5/8	3 7/8	1 1/4	4,63	PHS 60-1B20
21	5,43	B	3/4	2 3/4	4	1 1/4	5,00	PHS 60-1B21
22	5,67	B	3/4	2 3/4	4	1 1/4	5,25	PHS 60-1B22
23	5,91	B	3/4	2 3/4	4	1 1/4	5,48	PHS 60-1B23
24	6,15	B	3/4	2 3/4	4	1 1/4	5,78	PHS 60-1B24
25	6,39	B	3/4	2 3/4	4	1 1/4	6,13	PHS 60-1B25
26	6,63	B	3/4	2 3/4	4	1 1/4	6,38	PHS 60-1B26
27	6,87	B	3/4	2 3/4	4	1 1/4	6,72	PHS 60-1B27
28	7,11	B	3/4	2 3/4	4	1 1/4	6,88	PHS 60-1B28
29	7,35	B	3/4	2 3/4	4	1 1/4	7,28	PHS 60-1B29
30	7,59	B	3/4	2 3/4	4	1 1/4	7,58	PHS 60-1B30
31	7,83	B	3/4	2 3/4	4	1 1/4	7,72	PHS 60-1B31
32	8,07	B	3/4	2 3/4	4	1 1/4	8,26	PHS 60-1B32
33	8,30	B	1	2 3/4	4	1 1/4	8,42	PHS 60-1B33
34	8,54	B	1	2 3/4	4	1 1/4	8,80	PHS 60-1B34
35	8,78	B	1	2 3/4	4	1 1/4	9,04	PHS 60-1B35
36	9,02	B	1	2 3/4	4	1 1/4	9,60	PHS 60-1B36
37	9,26	B	1	2 3/4	4	1 1/4	10,24	PHS 60-1B37
38	9,50	B	1	2 3/4	4 1/4	1 1/4	10,84	PHS 60-1B38
39	9,74	B	1	2 3/4	4 1/4	1 1/4	11,36	PHS 60-1B39
40	9,98	B	1	2 3/4	4 1/4	1 1/4	11,50	PHS 60-1B40
41	10,22	B	1	2 3/4	4 1/4	1 1/4	12,14	PHS 60-1B41
42	10,46	B	1	2 3/4	4 1/4	1 1/4	12,74	PHS 60-1B42
43	10,70	B	1	2 3/4	4 1/4	1 1/4	13,00	PHS 60-1B43
44	10,94	B	15/16	2 3/4	4 1/4	1 1/4	13,88	PHS 60-1B44
45	11,18	B	15/16	2 3/4	4 1/4	1 1/4	13,98	PHS 60-1B45
46	11,42	B	15/16	2 3/4	4 1/4	1 1/4	14,60	PHS 60-1B46
47	11,65	B	15/16	2 3/4	4 1/4	1 1/4	15,00	PHS 60-1B47
48	11,89	B	15/16	2 3/4	4 1/4	1 1/4	15,82	PHS 60-1B48
49	12,13	B	15/16	2 3/4	4 1/4	1 1/4	15,90	PHS 60-1B49
50	12,37	B	15/16	2 3/4	4 1/4	1 1/4	17,66	PHS 60-1B50
51	12,61	B	15/16	2 3/4	4 1/4	1 1/4	16,98	PHS 60-1B51
52	12,85	B	15/16	2 3/4	4 1/4	1 1/4	17,93	PHS 60-1B52
53	13,09	B	15/16	2 3/4	4 1/4	1 1/4	17,99	PHS 60-1B53
54	13,33	B	15/16	2 3/4	4 1/4	1 3/4	21,60	PHS 60-1B54
55	13,57	B	1 1/4	2 3/4	4 1/4	1 3/4	21,14	PHS 60-1B55
56	13,81	B	1 1/4	2 3/4	4 1/4	1 3/4	21,88	PHS 60-1B56
57	14,04	B	1 1/4	2 3/4	4 1/4	1 3/4	22,26	PHS 60-1B57
58	14,28	B	1 1/4	2 3/4	4 1/4	1 3/4	22,80	PHS 60-1B58
59	14,52	B	1 1/4	2 3/4	4 1/4	1 3/4	23,86	PHS 60-1B59
60	14,76	B	1 1/4	2 3/4	4 1/4	1 3/4	25,22	PHS 60-1B60
64	15,72	B	1 3/4	2 3/4	4 1/4	1 3/4	27,40	PHS 60-1B64
65	15,96	B	1 3/4	2 3/4	4 1/4	1 3/4	28,92	PHS 60-1B65
66	-	-	-	-	-	-	-	-
68	16,67	B	1 3/4	2 3/4	4 1/4	1 3/4	30,38	PHS 60-1B68
70	17,15	B	1 3/4	2 3/4	4 1/4	1 3/4	31,98	PHS 60-1B70
72	17,63	B	1 3/4	2 3/4	4 1/4	2	34,18	PHS 60-1B72
76	18,58	B	1 3/4	2 3/4	4 1/4	2	38,06	PHS 60-1B76
80	19,54	B	1 3/4	2 3/4	4 1/4	2	41,88	PHS 60-1B80
84	20,49	B	1 3/4	3 1/4	4 3/4	2	46,46	PHS 60-1B84
90	21,93	B	1 3/4	3 5/16	5	2 1/4	63,20	PHS 60-1B90
96	23,36	B	1 3/4	3 3/4	5 1/2	2 1/4	63,08	PHS 60-1B96
112	27,18	B	1 3/4	3 3/4	5 1/2	2 1/4	81,78	PHS 60-1B112

### Type A

No. Teeth	Outside Diameter	Type	Bore Stock	Weight lbs	Designation	
						Inch
						Inch
8	2,26	-	-	-	-	
9	2,51	-	-	-	-	
10	2,76	A	3/4	0,44	PHS 60-1A10	
11	3,00	A	3/4	0,54	PHS 60-1A11	
12	3,25	A	3/4	0,68	PHS 60-1A12	
13	3,49	A	3/4	0,80	PHS 60-1A13	
14	3,74	A	3/4	0,94	PHS 60-1A14	
15	3,98	A	3/4	1,08	PHS 60-1A15	
16	4,22	A	3/4	1,24	PHS 60-1A16	
17	4,46	A	3/4	1,44	PHS 60-1A17	
18	4,70	A	3/4	1,62	PHS 60-1A18	
19	4,95	A	3/4	1,84	PHS 60-1A19	
20	5,19	A	3/4	2,12	PHS 60-1A20	
21	5,43	A	3/4	2,28	PHS 60-1A21	
22	5,67	A	3/4	2,48	PHS 60-1A22	
23	5,91	A	3/4	2,68	PHS 60-1A23	
24	6,15	A	23/32	3,00	PHS 60-1A24	
25	6,39	A	23/32	3,34	PHS 60-1A25	
26	6,63	A	23/32	3,54	PHS 60-1A26	
27	6,87	A	23/32	3,96	PHS 60-1A27	
28	7,11	A	23/32	4,14	PHS 60-1A28	
29	7,35	A	23/32	4,40	PHS 60-1A29	
30	7,59	A	23/32	4,78	PHS 60-1A30	
31	7,83	A	23/32	5,24	PHS 60-1A31	
32	8,07	A	23/32	5,52	PHS 60-1A32	
33	8,30	A	15/16	5,86	PHS 60-1A33	
34	8,54	A	15/16	6,16	PHS 60-1A34	
35	8,78	A	15/16	6,78	PHS 60-1A35	
36	9,02	A	15/16	6,82	PHS 60-1A36	
37	9,26	A	15/16	7,52	PHS 60-1A37	
38	9,50	A	15/16	7,84	PHS 60-1A38	
39	9,74	A	15/16	8,28	PHS 60-1A39	
40	9,98	A	15/16	8,56	PHS 60-1A40	
41	10,22	A	15/16	9,10	PHS 60-1A41	
42	10,46	A	15/16	9,84	PHS 60-1A42	
43	10,70	A	15/16	9,74	PHS 60-1A43	
44	10,94	A	15/16	10,76	PHS 60-1A44	
45	11,18	A	15/16	11,08	PHS 60-1A45	
46	11,42	A	15/16	11,50	PHS 60-1A46	
47	11,65	A	15/16	12,32	PHS 60-1A47	
48	11,89	A	15/16	12,42	PHS 60-1A48	
49	12,13	A	15/16	12,92	PHS 60-1A49	
50	12,37	A	15/16	13,98	PHS 60-1A50	
51	12,61	A	15/16	14,58	PHS 60-1A51	
52	12,85	A	15/16	14,60	PHS 60-1A52	
53	13,09	A	15/16	15,84	PHS 60-1A53	
54	13,33	A	15/16	15,92	PHS 60-1A54	
55	13,57	A	1 1/4	16,96	PHS 60-1A55	
56	13,81	A	1 1/4	17,60	PHS 60-1A56	
57	14,04	A	1 1/4	17,62	PHS 60-1A57	
58	14,28	A	1 1/4	19,00	PHS 60-1A58	
59	14,52	A	1 1/4	19,20	PHS 60-1A59	
60	14,76	A	1 1/4	20,02	PHS 60-1A60	
64	15,72	A	1 3/4	23,00	PHS 60-1A64	
65	15,96	A	1 3/4	23,24	PHS 60-1A65	
66	-	A	1 3/4	24,42	PHS 60-1A66	
68	16,67	A	1 3/4	25,54	PHS 60-1A68	
70	17,15	A	1 3/4	27,20	PHS 60-1A70	
72	17,63	A	1 3/4	28,90	PHS 60-1A72	
76	18,58	A	1 3/4	32,34	PHS 60-1A76	
80	19,54	A	1 3/4	45,50	PHS 60-1A80	
84	20,49	A	1 3/4	40,18	PHS 60-1A84	
90	21,93	A	1 3/4	43,44	PHS 60-1A90	
96	23,36	A	1 3/4	52,02	PHS 60-1A96	
112	27,18	A	1 3/4	70,80	PHS 60-1A112	



Type A



Type B

Maximum bores can accommodate standard keyways. Larger bores are available where a shallow keyway is used or no keyway is required.



# ANSI Sprockets

Simplex  
Pilot Bore

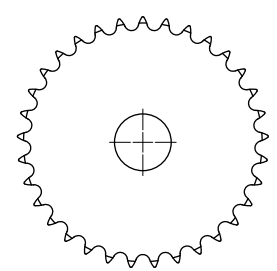
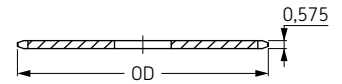


## ANSI 80-1 1" Pitch

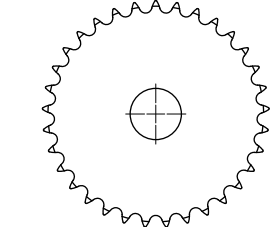
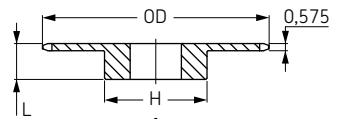
### Pilot Bore Type B/C

### Type A

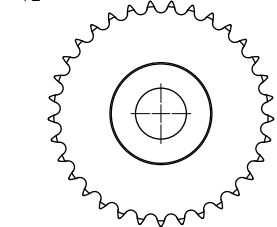
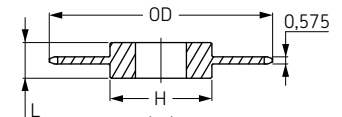
No. Teeth	Outside Diameter	Type	Bore		Hub		Weight lbs	Designation	No. Teeth	Outside Diameter	Type	Bore Stock	Weight lbs	Designation
			Min	Max	H	L								
			Inch	Inch	Inch	Inch								
8	3,01	B	1	1	1 15/16	1 5/8	1,4	PHS 80-1B8	8	3,01	-	-	-	-
9	3,35	B	1	1 5/16	2 1/4	1 5/8	1,6	PHS 80-1B9	9	3,35	A	15/16	0,8	PHS 80-1A9
10	3,68	B	1	1 1/2	2 9/16	1 5/8	2,2	PHS 80-1B10	10	3,68	A	15/16	1,0	PHS 80-1A10
11	4,01	B	1	1 5/8	2 13/16	1 5/8	3,2	PHS 80-1B11	11	4,01	A	15/16	1,3	PHS 80-1A11
12	4,33	B	1	1 7/8	3 1/8	1 5/8	3,4	PHS 80-1B12	12	4,33	A	15/16	1,5	PHS 80-1A12
13	4,66	B	1	2	3	1 1/2	3,5	PHS 80-1B13	13	4,66	A	15/16	1,8	PHS 80-1A13
14	4,98	B	1	2 1/4	3 3/4	1 1/2	4,1	PHS 80-1B14	14	4,98	A	15/16	2,2	PHS 80-1A14
15	5,30	B	1	2 1/2	3 13/16	1 1/2	5,3	PHS 80-1B15	15	5,30	A	15/16	2,5	PHS 80-1A15
16	5,63	B	1	2 3/4	4	1 1/2	5,9	PHS 80-1B16	16	5,63	A	15/16	2,9	PHS 80-1A16
17	5,95	B	1	2 3/4	4	1 1/2	6,6	PHS 80-1B17	17	5,95	A	15/16	3,3	PHS 80-1A17
18	6,27	B	1	2 3/4	4 1/4	1 1/2	7,3	PHS 80-1B18	18	6,27	A	15/16	3,7	PHS 80-1A18
19	6,59	B	1	2 3/4	4 1/4	1 1/2	7,8	PHS 80-1B19	19	6,59	A	15/16	4,1	PHS 80-1A19
20	6,91	B	1	2 3/4	4 1/4	1 1/2	8,4	PHS 80-1B20	20	6,91	A	15/16	4,7	PHS 80-1A20
21	7,24	B	1	2 3/4	4 1/4	1 3/4	9,4	PHS 80-1B21	21	7,24	A	15/16	4,9	PHS 80-1A21
22	7,56	B	1	2 3/4	4 1/4	1 3/4	10,0	PHS 80-1B22	22	7,56	A	15/16	5,5	PHS 80-1A22
23	7,88	B	1	2 3/4	4 1/4	1 3/4	10,7	PHS 80-1B23	23	7,88	A	15/16	6,3	PHS 80-1A23
24	8,20	B	1	2 3/4	4 1/4	1 3/4	11,3	PHS 80-1B24	24	8,20	A	15/16	6,7	PHS 80-1A24
25	8,52	B	1	2 3/4	4 1/4	1 3/4	11,9	PHS 80-1B25	25	8,52	A	15/16	7,2	PHS 80-1A25
26	8,84	B	1 1/4	3 1/4	4 3/4	2	14,3	PHS 80-1B26	26	8,84	A	1 3/16	7,8	PHS 80-1A26
27	9,16	B	1 1/4	3 1/4	4 3/4	2	15,4	PHS 80-1B27	27	9,16	A	1 3/16	8,6	PHS 80-1A27
28	9,48	B	1 1/4	3 1/4	4 3/4	2	16,0	PHS 80-1B28	28	9,48	A	1 3/16	9,3	PHS 80-1A28
29	9,80	B	1 3/16	3 1/4	4 3/4	2	17,1	PHS 80-1B29	29	9,80	A	1 3/16	9,8	PHS 80-1A29
30	10,11	B	1 3/16	3 1/4	4 3/4	2	17,4	PHS 80-1B30	30	10,11	A	1 3/16	10,7	PHS 80-1A30
31	10,43	B	1 3/16	3 1/4	4 3/4	2	18,7	PHS 80-1B31	31	10,43	A	1 3/16	11,3	PHS 80-1A31
32	10,75	B	1 3/16	3 1/4	4 3/4	2	19,5	PHS 80-1B32	32	10,75	A	1 3/16	12,1	PHS 80-1A32
33	11,07	B	1 3/16	3 1/4	4 3/4	2	19,6	PHS 80-1B33	33	11,07	A	1 3/16	13,6	PHS 80-1A33
34	11,39	B	1 3/16	3 1/4	4 3/4	2	21,3	PHS 80-1B34	34	11,39	A	1 3/16	14,3	PHS 80-1A34
35	11,71	B	1 3/16	3 1/4	4 3/4	2	22,1	PHS 80-1B35	35	11,71	A	1 3/16	14,8	PHS 80-1A35
36	12,03	B	1 3/16	3 1/4	4 3/4	2	23,1	PHS 80-1B36	36	12,03	A	1 3/16	16,1	PHS 80-1A36
37	12,35	B	1 3/16	3 1/4	4 3/4	2	23,8	PHS 80-1B37	37	12,35	A	1 3/16	16,8	PHS 80-1A37
38	12,67	B	1 3/16	3 1/4	4 3/4	2	24,7	PHS 80-1B38	38	12,67	A	1 3/16	17,2	PHS 80-1A38
39	12,99	B	1 3/16	3 1/4	4 3/4	2	25,6	PHS 80-1B39	39	12,99	A	1 3/16	17,9	PHS 80-1A39
40	13,31	B	1 3/16	3 1/4	4 3/4	2	26,7	PHS 80-1B40	40	13,31	A	1 3/16	18,9	PHS 80-1A40
41	13,63	B	1 1/4	3 1/4	4 3/4	2	27,8	PHS 80-1B41	41	13,63	A	1 1/4	21,0	PHS 80-1A41
42	13,94	B	1 1/4	3 1/4	4 3/4	2	28,7	PHS 80-1B42	42	13,94	A	1 1/4	21,8	PHS 80-1A42
43	14,26	B	1 1/4	3 1/4	4 3/4	2	29,4	PHS 80-1B43	43	14,26	A	1 1/4	23,6	PHS 80-1A43
44	14,58	B	1 1/4	3 1/4	4 3/4	2	29,9	PHS 80-1B44	44	14,58	A	1 1/4	24,3	PHS 80-1A44
45	14,90	B	1 1/4	3 1/4	4 3/4	2	31,4	PHS 80-1B45	45	14,90	A	1 1/4	25,2	PHS 80-1A45
46	15,22	B	1 1/4	3 1/4	4 3/4	2	33,1	PHS 80-1B46	46	15,22	A	1 1/4	26,6	PHS 80-1A46
47	15,54	B	1 1/4	3 1/4	4 3/4	2	34,0	PHS 80-1B47	47	15,54	A	1 1/4	26,4	PHS 80-1A47
48	15,86	B	1 1/4	3 1/4	4 3/4	2	35,5	PHS 80-1B48	48	15,86	A	1 1/4	27,8	PHS 80-1A48
49	16,18	B	1 1/4	3 1/4	4 3/4	2	35,8	PHS 80-1B49	49	16,18	A	1 1/4	28,9	PHS 80-1A49
50	16,50	B	1 1/4	3 1/4	4 3/4	2	37,3	PHS 80-1B50	50	16,50	A	1 1/4	30,9	PHS 80-1A50
51	16,81	B	1 1/4	3 1/4	4 3/4	2	38,6	PHS 80-1B51	51	16,81	A	1 1/4	32,2	PHS 80-1A51
52	17,13	B	1 1/4	3 1/4	4 3/4	2	39,4	PHS 80-1B52	52	17,13	A	1 1/4	33,0	PHS 80-1A52
53	17,45	B	1 1/4	3 1/4	4 3/4	2	41,3	PHS 80-1B53	53	17,45	A	1 1/4	34,9	PHS 80-1A53
54	17,77	B	1 1/4	3 1/2	5 1/4	2	44,7	PHS 80-1B54	54	17,77	A	1 1/4	36,6	PHS 80-1A54
55	18,09	B	1 1/4	3 1/2	5 1/4	2	45,6	PHS 80-1B55	55	18,09	A	1 1/4	37,5	PHS 80-1A55
56	18,41	B	1 1/4	3 1/2	5 1/4	2	47,5	PHS 80-1B56	56	18,41	A	1 1/4	39,4	PHS 80-1A56
57	18,73	B	1 1/4	3 1/2	5 1/4	2	48,5	PHS 80-1B57	57	18,73	A	1 1/4	40,4	PHS 80-1A57
58	19,04	B	1 1/4	3 1/2	5 1/4	2	50,5	PHS 80-1B58	58	19,04	A	1 1/4	41,3	PHS 80-1A58
59	19,36	B	1 1/4	3 1/2	5 1/4	2	52,1	PHS 80-1B59	59	19,36	A	1 1/4	42,9	PHS 80-1A59
60	19,68	B	1 1/4	3 1/2	5 1/4	2	54,5	PHS 80-1B60	60	19,68	A	1 1/4	45,3	PHS 80-1A60
65	21,27	B	1 1/4	3 1/2	5 1/4	2	61,8	PHS 80-1B65	65	21,27	A	1 1/4	52,2	PHS 80-1A65
70	22,87	C	1 1/2	4 1/4	6 1/4	3 1/2	75,7	PHS 80-1C70	70	22,87	A	1 1/2	59,8	PHS 80-1A70
72	23,50	C	1 1/2	4 1/4	6 1/4	3 1/2	81,4	PHS 80-1C72	72	23,50	A	1 1/2	65,7	PHS 80-1A72
76	24,78	C	1 1/2	4 1/4	6 1/4	3 1/2	87,8	PHS 80-1C76	76	24,78	A	1 1/2	70,2	PHS 80-1A76
80	26,05	C	1 1/2	4 1/4	6 1/4	3 1/2	89,9	PHS 80-1C80	80	26,05	A	1 1/2	79,6	PHS 80-1A80
84	27,33	C	1 1/2	4 1/4	6 1/4	3 1/2	99,2	PHS 80-1C84	84	27,33	A	1 1/2	86,1	PHS 80-1A84
90	29,24	C	1 1/2	4 1/4	6 1/4	3 1/2	106,0	PHS 80-1C90	90	29,24	A	1 1/2	101,0	PHS 80-1A90
96	31,15	C	1 1/2	4 1/4	6 1/4	3 1/2	117,0	PHS 80-1C96	96	31,15	A	1 1/2	120,0	PHS 80-1A96
112	36,24	C	1 1/2	4 1/4	6 1/4	3 1/2	154,0	PHS 80-1C112	112	36,24	A	1 1/2	165,0	PHS 80-1A112



Type A



Type B



Type C

Maximum bores can accommodate standard keyways. Larger bores are available where a shallow keyway is used or no keyway is required.

# ANSI Sprockets

Simplex  
Pilot Bore

- ▶ ..... Belts
- ▶ ..... Chains
- ▶ ..... Couplings
- ▶ ..... Bushings and Hubs
- ▶ ..... Sprockets
- ▶ ..... Pulleys
- ▶ ..... Smart tools

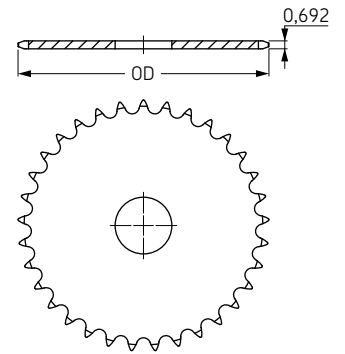
## ANSI 100-1 1 1/4" Pitch

### Pilot Bore Type B/C

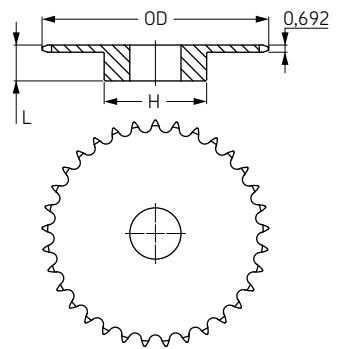
No. Teeth	Outside Diameter	Type	Bore		Hub		Weight lbs	Designation
			Min	Max	H	L		
			Inch	Inch	Inch	Inch		
7	3,35	-	-	-	-	-	-	-
8	3,77	B	1	1 1/4	2 7/16	1 7/8	2,3	PHS 100-1B8
9	4,18	B	1	1 5/8	2 13/16	1 7/8	3,2	PHS 100-1B9
10	4,6	B	1	1 7/8	3 1/4	1 7/8	4,1	PHS 100-1B10
11	5,01	B	1	2 1/4	3 9/16	1 7/8	5,3	PHS 100-1B11
12	5,42	B	1	2 1/4	4	1 7/8	6,4	PHS 100-1B12
13	5,82	B	1	2 3/8	3 7/8	1 5/8	6,6	PHS 100-1B13
14	6,23	B	1 1/4	2 3/4	4 3/16	1 5/8	7,4	PHS 100-1B14
15	6,63	B	1 1/4	3	4 1/2	1 3/4	9,2	PHS 100-1B15
16	7,03	B	1 5/16	3	4 1/2	1 3/4	9,9	PHS 100-1B16
17	7,44	B	1 5/16	3	4 1/2	1 3/4	10,8	PHS 100-1B17
18	7,84	B	1 5/16	3	4 1/2	1 3/4	11,5	PHS 100-1B18
19	8,24	B	1 5/16	3	4 1/2	2	13,1	PHS 100-1B19
20	8,64	B	1 5/16	3	4 1/2	2	14,2	PHS 100-1B20
21	9,04	B	1 5/16	3	4 1/2	2	15,3	PHS 100-1B21
22	9,44	B	1 5/16	3	4 1/2	2	16,1	PHS 100-1B22
23	9,84	B	1 1/4	3	4 1/2	2	17,2	PHS 100-1B23
24	10,25	B	1 1/4	3	4 1/2	2	19,2	PHS 100-1B24
25	10,65	B	1 1/4	3	4 1/2	2	19,5	PHS 100-1B25
26	11,05	B	1 1/4	3 5/16	5	2	21,7	PHS 100-1B26
27	11,44	B	1 1/4	3 5/16	5	2	23,0	PHS 100-1B27
28	11,84	B	1 1/4	3 5/16	5	2	24,4	PHS 100-1B28
29	12,24	B	1 1/4	3 5/16	5	2	25,0	PHS 100-1B29
30	12,64	B	1 1/4	3 5/16	5	2	26,9	PHS 100-1B30
31	13,04	-	-	-	-	-	-	-
32	13,44	B	1 1/4	3 5/16	5	2	29,8	PHS 100-1B32
33	13,84	-	-	-	-	-	-	-
34	14,24	-	-	-	-	-	-	-
35	14,64	B	1 1/4	3 5/16	5	2 1/2	36,9	PHS 100-1B35
36	15,04	B	1 1/4	3 5/16	5	2 1/2	38,6	PHS 100-1B36
37	15,44	-	-	-	-	-	-	-
38	15,84	B	1 1/4	3 5/16	5	2 1/2	41,5	PHS 100-1B38
39	16,23	B	1 1/4	3 5/16	5	2 1/2	43,6	PHS 100-1B39
40	16,63	B	1 1/4	3 5/16	5	2 1/2	46,9	PHS 100-1B40
41	17,03	-	-	-	-	-	-	-
42	17,43	B	1 1/4	3 5/16	5	2 1/2	50,4	PHS 100-1B42
43	17,83	-	-	-	-	-	-	-
44	18,23	-	-	-	-	-	-	-
45	18,63	B	1 1/2	3 5/16	5	2 1/2	54,0	PHS 100-1B45
46	19,02	-	-	-	-	-	-	-
47	19,42	-	-	-	-	-	-	-
48	19,82	B	1 1/2	4	6	2 1/2	66,0	PHS 100-1B48
49	20,22	-	-	-	-	-	-	-
50	20,62	-	-	-	-	-	-	-
51	21,02	-	-	-	-	-	-	-
52	21,42	-	-	-	-	-	-	-
53	21,81	-	-	-	-	-	-	-
54	22,21	C	1 1/2	4	6	3 1/4	78,0	PHS 100-1C54
55	22,61	-	-	-	-	-	-	-
56	23,01	-	-	-	-	-	-	-
57	23,41	-	-	-	-	-	-	-
58	23,81	-	-	-	-	-	-	-
59	24,2	-	-	-	-	-	-	-
60	24,6	C	1 1/2	4	6	3 1/4	89,0	PHS 100-1C60
70	28,58	C	1 1/2	5 1/4	7	3 3/4	125,0	PHS 100-1C70
72	29,38	C	1 1/2	5 1/4	7	3 3/4	134,0	PHS 100-1C72
76	30,973	C	1 1/2	5 1/4	7	3 3/4	143,0	PHS 100-1C76
80	32,57	C	1 1/2	5 1/4	7	3 3/4	151,0	PHS 100-1C80
84	34,16	C	1 1/2	5 1/4	7	3 3/4	170,0	PHS 100-1C84
90	36,55	C	1 1/2	5 1/4	7	3 3/4	184,0	PHS 100-1C90
96	38,93	C	1 1/2	5 1/4	7	4 1/2	203,0	PHS 100-1C96

### Type A

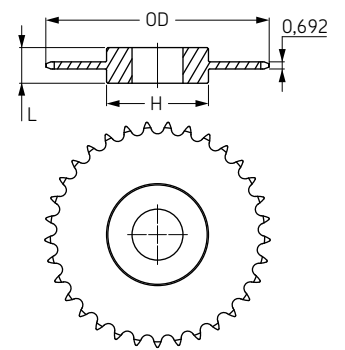
No. Teeth	Outside Diameter	Type	Bore Stock	Weight lbs	Designation		
						Inch	Inch
						Inch	Inch
7	3,35	A	1	1,2	PHS 100-1A7		
8	3,77	A	1	1,4	PHS 100-1A8		
9	4,18	A	1	1,6	PHS 100-1A9		
10	4,60	A	1	2,0	PHS 100-1A10		
11	5,01	A	1 1/4	2,5	PHS 100-1A11		
12	5,42	A	1 1/4	3,0	PHS 100-1A12		
13	5,82	A	1 1/4	3,5	PHS 100-1A13		
14	6,23	A	1 1/4	4,1	PHS 100-1A14		
15	6,63	A	1 1/4	4,7	PHS 100-1A15		
16	7,03	A	1 1/4	5,4	PHS 100-1A16		
17	7,44	A	1 1/4	6,1	PHS 100-1A17		
18	7,84	A	1 1/4	7,0	PHS 100-1A18		
19	8,24	A	1 1/4	7,8	PHS 100-1A19		
20	8,64	A	1 1/4	8,8	PHS 100-1A20		
21	9,04	A	1 1/4	9,8	PHS 100-1A21		
22	9,44	A	1 1/4	10,5	PHS 100-1A22		
23	9,84	A	1 1/4	11,8	PHS 100-1A23		
24	10,25	A	1 1/4	12,8	PHS 100-1A24		
25	10,65	A	1 1/4	13,9	PHS 100-1A25		
26	11,05	A	1 1/4	15,0	PHS 100-1A26		
27	11,44	A	1 1/4	16,0	PHS 100-1A27		
28	11,84	A	1 1/4	17,4	PHS 100-1A28		
29	12,24	A	1 1/4	19,6	PHS 100-1A29		
30	12,64	A	1 1/4	20,1	PHS 100-1A30		
31	13,04	A	1 1/4	21,5	PHS 100-1A31		
32	13,44	A	1 1/4	22,6	PHS 100-1A32		
33	13,84	A	1 1/4	24,1	PHS 100-1A33		
34	14,24	A	1 1/4	26,0	PHS 100-1A34		
35	14,64	A	1 1/4	27,2	PHS 100-1A35		
36	15,04	A	1 1/4	30,0	PHS 100-1A36		
37	15,44	A	1 1/4	31,0	PHS 100-1A37		
38	15,84	A	1 1/4	33,0	PHS 100-1A38		
39	16,23	A	1 1/4	35,0	PHS 100-1A39		
40	16,63	A	1 1/4	36,0	PHS 100-1A40		
41	17,03	A	1 1/4	39,0	PHS 100-1A41		
42	17,43	A	1 1/4	40,0	PHS 100-1A42		
43	17,83	A	1 1/2	43,0	PHS 100-1A43		
44	18,23	A	1 1/2	45,0	PHS 100-1A44		
45	18,63	A	1 1/2	47,0	PHS 100-1A45		
46	19,02	A	1 1/2	48,0	PHS 100-1A46		
47	19,42	A	1 1/2	52,0	PHS 100-1A47		
48	19,82	A	1 1/2	54,0	PHS 100-1A48		
49	20,22	A	1 1/2	56,0	PHS 100-1A49		
50	20,62	A	1 1/2	57,0	PHS 100-1A50		
51	21,02	A	1 1/2	63,0	PHS 100-1A51		
52	21,42	A	1 1/2	64,0	PHS 100-1A52		
53	21,81	A	1 1/2	64,2	PHS 100-1A53		
54	22,21	A	1 1/2	68,0	PHS 100-1A54		
55	22,61	A	1 1/2	70,0	PHS 100-1A55		
56	23,01	A	1 1/2	72,0	PHS 100-1A56		
57	23,41	A	1 1/2	75,8	PHS 100-1A57		
58	23,81	A	1 1/2	76,0	PHS 100-1A58		
59	24,20	A	1 1/2	77,0	PHS 100-1A59		
60	24,60	A	1 1/2	80,0	PHS 100-1A60		
70	28,58	A	1 1/2	113,0	PHS 100-1A70		
72	29,38	A	1 1/2	119,0	PHS 100-1A72		
76	30,97	A	1 1/2	133,0	PHS 100-1A76		
80	32,57	A	1 1/2	146,0	PHS 100-1A80		
84	34,16	A	1 1/2	162,0	PHS 100-1A84		
90	36,55	A	1 1/2	193,0	PHS 100-1A90		
96	38,93	A	1 1/2	215,0	PHS 100-1A96		



Type A



Type B



Type C

Maximum bores can accommodate standard keyways. Larger bores are available where a shallow keyway is used or no keyway is required.

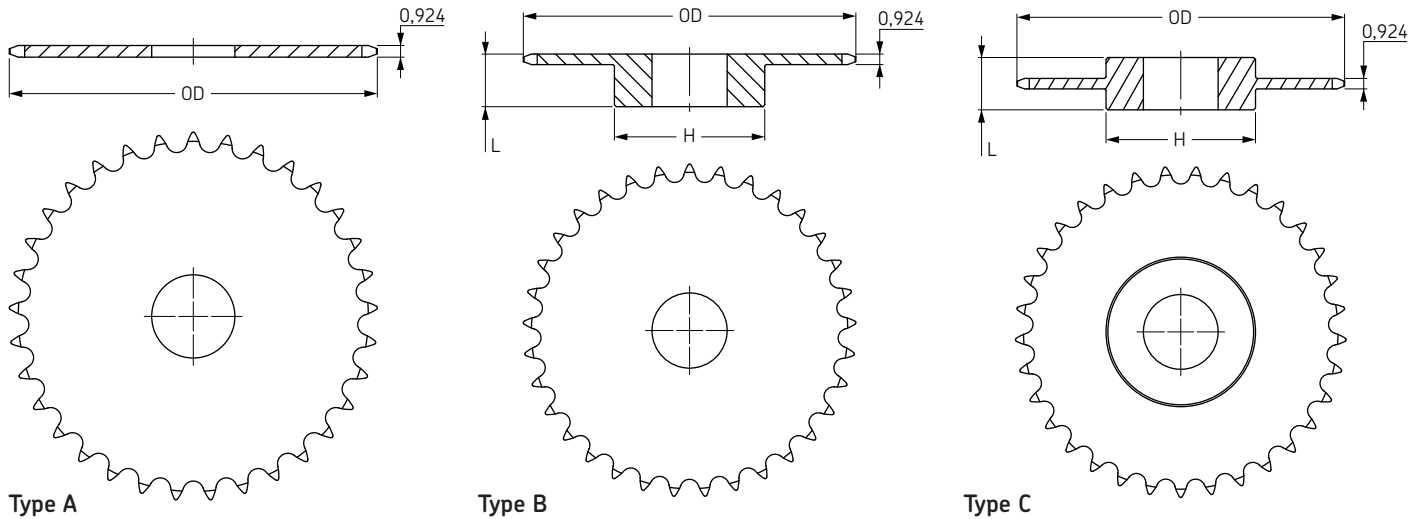


# ANSI Sprockets

Simplex  
Pilot Bore



## ANSI 120-1 1 1/2" Pitch



## Pilot Bore Type B/C

## Type A

No. Teeth	Outside Diameter	Type	Bore		Hub		Weight lbs	Designation	No. Teeth	Outside Diameter	Type	Bore Stock	Weight lbs	Designation
			Min	Max	H	L								
	Inch		Inch	Inch	Inch	Inch			Inch		Inch			
8	4,52	-	-	-	-	-	-	-	8	4,52	A	1 1/4	2,4	PHS 120-1A8
9	5,02	B	1 3/8	1 13/36	3 3/8	2 1/4	5,3	PHS 120-1B9	9	5,02	A	1 1/4	3,0	PHS 120-1A9
10	5,52	B	1 3/8	2 1/4	3 3/4	2 1/4	7,1	PHS 120-1B10	10	5,52	A	1 1/4	3,8	PHS 120-1A10
11	6,01	B	1 3/8	2 3/8	3 9/36	2 1/8	7,6	PHS 120-1B11	11	6,01	A	1 1/4	4,8	PHS 120-1A11
12	6,50	B	1 3/8	2 3/4	4 1/8	2 1/8	9,9	PHS 120-1B12	12	6,50	A	1 1/4	5,8	PHS 120-1A12
13	6,99	B	1 3/8	3	4 9/36	2 1/4	12,4	PHS 120-1B13	13	6,99	A	1 1/4	6,7	PHS 120-1A13
14	7,47	B	1 3/8	3 1/4	4 3/4	2 1/4	14,4	PHS 120-1B14	14	7,47	A	1 1/4	8,0	PHS 120-1A14
15	7,96	B	1 1/4	3 1/4	4 3/4	2 3/8	16,7	PHS 120-1B15	15	7,96	A	1 1/4	9,1	PHS 120-1A15
16	8,44	B	1 1/4	3 1/2	5 1/4	2 3/8	19,9	PHS 120-1B16	16	8,44	A	1 1/4	10,6	PHS 120-1A16
17	8,92	B	1 1/4	3 1/2	5 1/4	2 3/8	20,8	PHS 120-1B17	17	8,92	A	1 1/4	12,6	PHS 120-1A17
18	9,41	B	1 1/4	3 1/2	5 1/4	2 3/8	22,2	PHS 120-1B18	18	9,41	A	1 1/4	13,6	PHS 120-1A18
19	9,89	B	1 1/4	3 1/2	5 1/4	2 3/8	24,8	PHS 120-1B19	19	9,89	A	1 1/4	15,1	PHS 120-1A19
20	10,37	B	1 1/4	3 1/2	5 1/4	2 3/8	25,8	PHS 120-1B20	20	10,37	A	1 1/4	16,9	PHS 120-1A20
21	10,85	B	1 1/4	3 1/2	5 1/4	2 3/8	26,7	PHS 120-1B21	21	10,85	A	1 1/4	18,7	PHS 120-1A21
22	11,33	B	1 1/4	3 1/2	5 1/4	2 3/8	28,2	PHS 120-1B22	22	11,33	A	1 1/4	20,0	PHS 120-1A22
23	11,81	B	1 1/4	3 1/2	5 1/4	2 3/8	30,3	PHS 120-1B23	23	11,81	A	1 1/4	22,1	PHS 120-1A23
24	12,29	B	1 1/4	3 1/2	5 1/4	2 3/8	32,1	PHS 120-1B24	24	12,29	A	1 1/4	24,8	PHS 120-1A24
25	12,77	B	1 1/4	3 1/2	5 1/4	2 3/8	34,6	PHS 120-1B25	25	12,77	A	1 1/4	26,8	PHS 120-1A25
26	13,25	B	1 1/2	4	6	2 1/2	40,0	PHS 120-1B26	26	13,25	A	1 1/2	28,3	PHS 120-1A26
27	13,73	-	-	-	-	-	-	-	27	13,73	A	1 1/2	30,9	PHS 120-1A27
28	14,21	B	1 1/2	4	6	2 1/2	44,9	PHS 120-1B28	28	14,21	A	1 1/2	33,6	PHS 120-1A28
30	15,17	B	1 1/2	4	6	2 1/2	50,2	PHS 120-1B30	30	15,17	A	1 1/2	39,0	PHS 120-1A30
32	16,13	B	1 1/2	4	6	2 1/2	56,0	PHS 120-1B32	32	16,13	A	1 1/2	43,9	PHS 120-1A32
33	16,61	-	-	-	-	-	-	-	33	16,61	A	1 1/2	48,2	PHS 120-1A33
34	17,09	-	-	-	-	-	-	-	34	17,09	A	1 1/2	50,0	PHS 120-1A34
35	17,57	B	1 1/2	4	6	2 1/2	62,4	PHS 120-1B35	35	17,57	A	1 1/2	52,0	PHS 120-1A35
36	18,05	B	1 1/2	4	6	2 1/2	66,4	PHS 120-1B36	36	18,05	A	1 1/2	56,0	PHS 120-1A36
40	19,96	C	1 1/2	4	6	3 3/4	92,0	PHS 120-1C40	40	19,96	A	1 1/2	71,0	PHS 120-1A40
42	20,92	C	1 1/2	4	6	3 3/4	98,0	PHS 120-1C42	42	20,92	A	1 1/2	75,0	PHS 120-1A42
45	22,35	C	1 1/2	4	6	3 3/4	99,2	PHS 120-1C45	45	22,35	A	1 1/2	88,0	PHS 120-1A45
48	23,79	C	1 1/2	4	6	4	113,0	PHS 120-1C48	48	23,79	A	1 1/2	103,0	PHS 120-1A48
54	26,65	C	1 1/2	4	6	4	133,0	PHS 120-1C54	54	26,65	A	1 1/2	140,0	PHS 120-1A54
60	29,52	C	1 1/2	5 1/4	7	4	160,0	PHS 120-1C60	60	29,52	A	1 1/2	160,0	PHS 120-1A60
70	34,30	C	1 1/2	5 3/8	7 1/2	4 1/2	206,0	PHS 120-1C70	70	34,30	A	1 1/2	216,0	PHS 120-1A70
80	39,08	C	1 1/2	5 3/8	7 1/2	4 1/2	254,0	PHS 120-1C80	80	39,08	A	1 1/2	284,0	PHS 120-1A80
90	43,85	-	-	-	-	-	-	-	90	43,85	A	1 1/2	358,0	PHS 120-1A90

Maximum bores can accommodate standard keyways. Larger bores are available where a shallow keyway is used or no keyway is required.

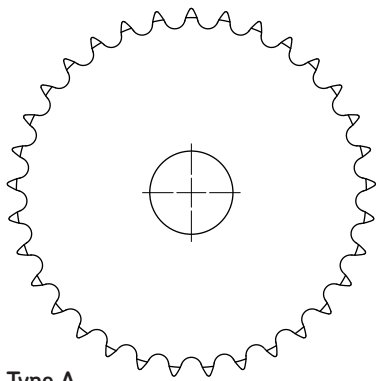
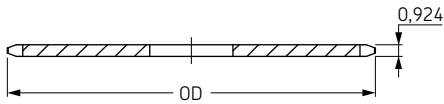


# ANSI Sprockets

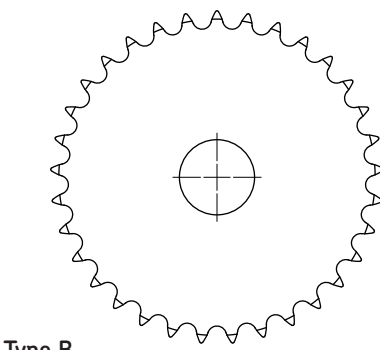
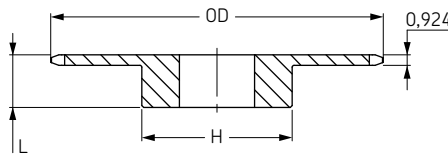
Simplex  
Pilot Bore

- ▶ ..... Belts
- ▶ ..... Chains
- ▶ ..... Couplings
- ▶ ..... Bushings and Hubs
- ▶ ..... Sprockets
- ▶ ..... Pulleys
- ▶ ..... Smart tools

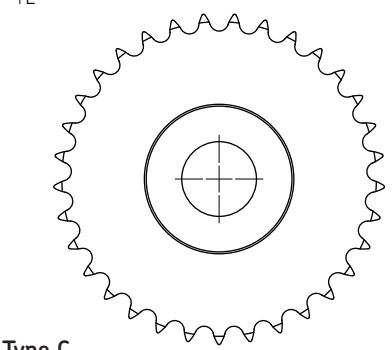
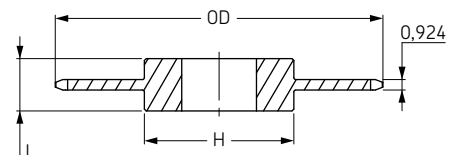
## ANSI 140-1 1 3/4" Pitch



Type A



Type B



Type C

## Pilot Bore Type B/C

## Type A

No. Teeth	Outside Diameter	Type	Bore		Hub		Weight lbs	Designation	No. Teeth	Outside Diameter	Type	Bore Stock	Weight lbs	Designation
			Min	Max	H	L								
11	7.01	B	1 1/2	2 3/4	4 1/4	2 1/4	11.3	PHS 140-1B11	11	7.01	A	1 1/2	5.0	PHS 140-1A11
12	7.58	B	1 1/2	3	4 1/2	2 1/4	13.2	PHS 140-1B12	12	7.58	A	1 1/2	7.8	PHS 140-1A12
13	8.15	B	1 1/2	3 3/4	5 1/2	2 3/8	18.9	PHS 140-1B13	13	8.15	A	1 1/2	8.2	PHS 140-1A13
14	8.72	B	1 1/2	3 3/4	5 1/2	2 3/8	20.4	PHS 140-1B14	14	8.72	A	1 1/2	10.0	PHS 140-1A14
15	9.28	B	1 1/2	4 1/4	6 1/4	2 3/8	25.1	PHS 140-1B15	15	9.28	A	1 1/2	11.0	PHS 140-1A15
16	9.85	B	1 1/2	4 1/4	6 1/4	2 1/2	27.9	PHS 140-1B16	16	9.85	A	1 1/2	14.0	PHS 140-1A16
17	10.41	B	1 1/2	4 1/4	6 1/4	2 1/2	29.8	PHS 140-1B17	17	10.41	A	1 1/2	16.0	PHS 140-1A17
18	10.98	B	1 1/2	4 1/4	6 1/4	2 1/2	32.0	PHS 140-1B18	18	10.98	A	1 1/2	18.0	PHS 140-1A18
19	11.54	B	1 1/2	4 1/4	6 1/4	2 1/2	34.1	PHS 140-1B19	19	11.54	A	1 1/2	21.0	PHS 140-1A19
20	12.10	B	1 1/2	4 1/4	6 1/4	2 1/2	36.0	PHS 140-1B20	20	12.10	A	1 1/2	23.0	PHS 140-1A20
21	12.66	B	1 1/2	4 1/4	6 1/4	2 1/2	38.7	PHS 140-1B21	21	12.66	A	1 1/2	25.0	PHS 140-1A21
22	13.22	B	1 1/2	4 1/4	6 1/4	2 1/2	40.6	PHS 140-1B22	22	13.22	A	1 1/2	28.0	PHS 140-1A22
23	13.78	B	1 1/2	4 1/4	6 1/4	2 1/2	42.1	PHS 140-1B23	23	13.78	A	1 1/2	30.0	PHS 140-1A23
24	14.34	B	1 1/2	4 1/4	6 1/4	2 1/2	46.2	PHS 140-1B24	24	14.34	A	1 1/2	33.0	PHS 140-1A24
25	14.90	B	1 1/2	4 1/4	6 1/4	2 1/2	47.8	PHS 140-1B25	25	14.90	A	1 1/2	34.0	PHS 140-1A25
26	15.46	B	1 1/2	4 1/4	6 1/4	3	57.2	PHS 140-1B26	26	15.46	A	1 1/2	39.0	PHS 140-1A26
27	16.02	B	1 1/2	4 1/4	6 1/4	3	58.5	PHS 140-1B27	27	16.02	A	1 1/2	41.0	PHS 140-1A27
28	16.58	B	1 1/2	4 1/4	6 1/4	3	62.2	PHS 140-1B28	28	16.58	A	1 1/2	45.0	PHS 140-1A28
30	17.70	B	1 1/2	4 1/4	6 1/4	3	69.8	PHS 140-1B30	30	17.70	A	1 1/2	52.0	PHS 140-1A30
31	18.26	-	-	-	-	-	-	-	31	18.26	-	1 1/2	56.0	PHS 140-1A31
32	18.82	B	1 1/2	4 1/4	6 1/4	3	76.3	PHS 140-1B32	32	18.82	A	1 1/2	60.0	PHS 140-1A32
35	20.49	C	1 1/2	5 1/4	7	4	108.0	PHS 140-1C35	35	20.49	A	1 1/2	73.0	PHS 140-1A35
36	21.05	-	-	-	-	-	A	-	36	21.05	-	1 1/2	77.0	PHS 140-1A36
40	23.29	C	1 1/2	5 1/4	7	4	121.0	PHS 140-1C40	40	23.29	A	1 1/2	93.0	PHS 140-1A40
45	26.08	C	1 1/2	5 1/4	7	4	142.0	PHS 140-1C45	45	26.08	A	1 1/2	131	PHS 140-1A45
48	27.75	C	1 1/2	5 1/4	7	4	150.0	PHS 140-1C48	48	27.75	A	1 1/2	134	PHS 140-1A48
54	31.10	C	1 1/2	5 1/4	7	4	177.0	PHS 140-1C54	54	31.10	A	1 1/2	173	PHS 140-1A54
60	34.44	C	1 1/2	5 1/4	7	5	220.0	PHS 140-1C60	60	34.44	A	1 1/2	219	PHS 140-1A60
70	40.02	C	1 1/2	5 3/8	7 1/2	5	282.0	PHS 140-1C70	70	40.02	A	1 1/2	292	PHS 140-1A70
80	45.59	C	1 1/2	5 3/8	7 1/2	5	331.0	PHS 140-1C80	80	45.59	A	1 1/2	402	PHS 140-1A80

Maximum bores can accommodate standard keyways. Larger bores are available where a shallow keyway is used or no keyway is required.

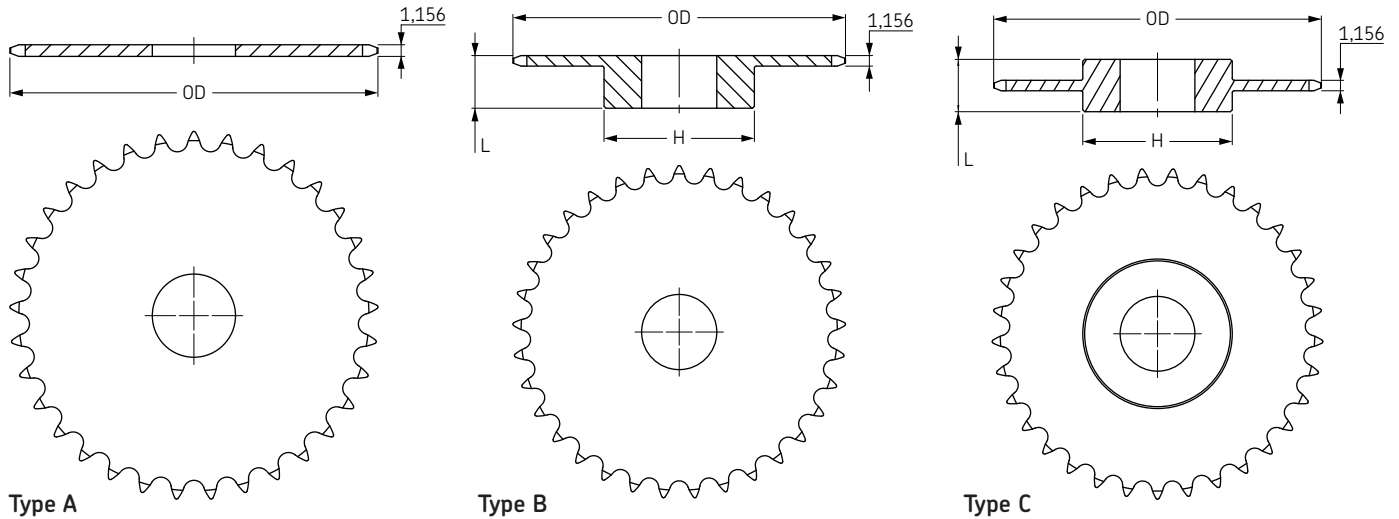


# ANSI Sprockets

Simplex  
Pilot Bore



## ANSI 160-1 2" Pitch



## Pilot Bore Type B/C

## Type A

No. Teeth	Outside Diameter	Type	Bore		Hub		Weight lbs	Designation	No. Teeth	Outside Diameter	Type	Bore Stock	Weight lbs	Designation
			Min	Max	H	L								
	Inch		Inch	Inch	Inch	Inch			Inch		Inch			
8	6.03	B	1 1/2	1 7/8	3 1/4	2 1/4	8.0	PHS 160-1B8	8	6.03	A	1 1/2	5	PHS 160-1A8
9	6.70	B	1 1/2	2 1/8	3 5/8	2 1/4	10.0	PHS 160-1B9	9	6.70	A	1 1/2	7	PHS 160-1A9
10	7.36	B	1 1/2	2 3/4	4 1/8	2 1/4	12.0	PHS 160-1B10	10	7.36	A	1 1/2	8	PHS 160-1A10
11	8.01	B	1 1/2	3 1/4	4 3/4	2 1/2	17.0	PHS 160-1B11	11	8.01	A	1 1/2	10	PHS 160-1A11
12	8.66	B	1 1/2	3 3/4	5 1/2	2 1/2	21.0	PHS 160-1B12	12	8.66	A	1 1/2	12	PHS 160-1A12
13	9.31	B	1 1/2	4	6	2 3/4	28.0	PHS 160-1B13	13	9.31	A	1 1/2	16	PHS 160-1A13
14	9.96	B	1 1/2	4 1/2	6 1/2	2 3/4	32.0	PHS 160-1B14	14	9.96	A	1 1/2	17	PHS 160-1A14
15	10.61	B	1 1/2	5 1/4	7	2 3/4	37.0	PHS 160-1B15	15	10.61	A	1 1/2	21	PHS 160-1A15
16	11.26	B	1 1/2	5 1/4	7	2 3/4	41.0	PHS 160-1B16	16	11.26	A	1 1/2	24	PHS 160-1A16
17	11.90	B	1 1/2	5 1/4	7	2 3/4	45.0	PHS 160-1B17	17	11.90	A	1 1/2	27	PHS 160-1A17
18	12.54	B	1 1/2	5 1/4	7	2 3/4	48.0	PHS 160-1B18	18	12.54	A	1 1/2	30	PHS 160-1A18
19	13.19	B	1 1/2	5 1/4	7	2 3/4	52.0	PHS 160-1B19	19	13.19	A	1 1/2	34	PHS 160-1A19
20	13.83	B	1 1/2	5 1/4	7	2 3/4	56.0	PHS 160-1B20	20	13.83	A	1 1/2	38	PHS 160-1A20
21	14.47	B	1 1/2	5 1/4	7	2 3/4	59.0	PHS 160-1B21	21	14.47	A	1 1/2	42	PHS 160-1A21
22	15.11	B	1 1/2	5 1/4	7	2 3/4	65.0	PHS 160-1B22	22	15.11	A	1 1/2	46	PHS 160-1A22
23	15.75	B	1 1/2	5 1/4	7	2 3/4	68.0	PHS 160-1B23	23	15.75	A	1 1/2	50	PHS 160-1A23
24	16.39	B	1 1/2	5 1/4	7	3	77.0	PHS 160-1B24	24	16.39	A	1 1/2	56	PHS 160-1A24
25	17.03	B	1 1/2	5 1/4	7	3	81.0	PHS 160-1B25	25	17.03	A	1 1/2	61	PHS 160-1A25
26	17.67	B	1 1/2	5 1/4	7	3	86.0	PHS 160-1B26	26	17.67	A	1 1/2	65	PHS 160-1A26
27	18.31	B	1 1/2	5 1/4	7	3	91.0	PHS 160-1B27	27	18.31	A	1 1/2	71	PHS 160-1A27
28	18.95	B	1 1/2	5 1/4	7	3	98.0	PHS 160-1B28	28	18.95	A	1 1/2	77	PHS 160-1A28
30	20.23	B	1 1/2	5 1/4	7	3	108.0	PHS 160-1B30	30	20.23	A	1 1/2	90	PHS 160-1A30
35	23.42	C	1 1/2	5 1/2	8	4 1/2	154.0	PHS 160-1C35	35	23.42	A	1 1/2	121	PHS 160-1A35
40	26.61	C	1 1/2	5 1/2	8	4 1/2	196.0	PHS 160-1C40	40	26.61	A	1 1/2	138	PHS 160-1A40
45	29.80	C	1 1/2	5 1/2	8	5	234.0	PHS 160-1C45	45	29.80	A	1 1/2	204	PHS 160-1A45
54	35.54	C	1 1/2	5 1/2	8	5	276.0	PHS 160-1C54	54	35.54	A	1 1/2	294	PHS 160-1A54
60	39.36	C	1 1/2	5 1/2	8	5	329.0	PHS 160-1C60	60	39.36	A	1 1/2	366	PHS 160-1A60
70	45.73	C	1 1/2	5 1/2	8	5	446.0	PHS 160-1C70	70	45.73	A	1 1/2	507	PHS 160-1A70
80	52.10	C	1 1/2	5 1/2	8	6	612.0	PHS 160-1C80	80	52.10	A	1 1/2	656	PHS 160-1A80

Maximum bores can accommodate standard keyways. Larger bores are available where a shallow keyway is used or no keyway is required.

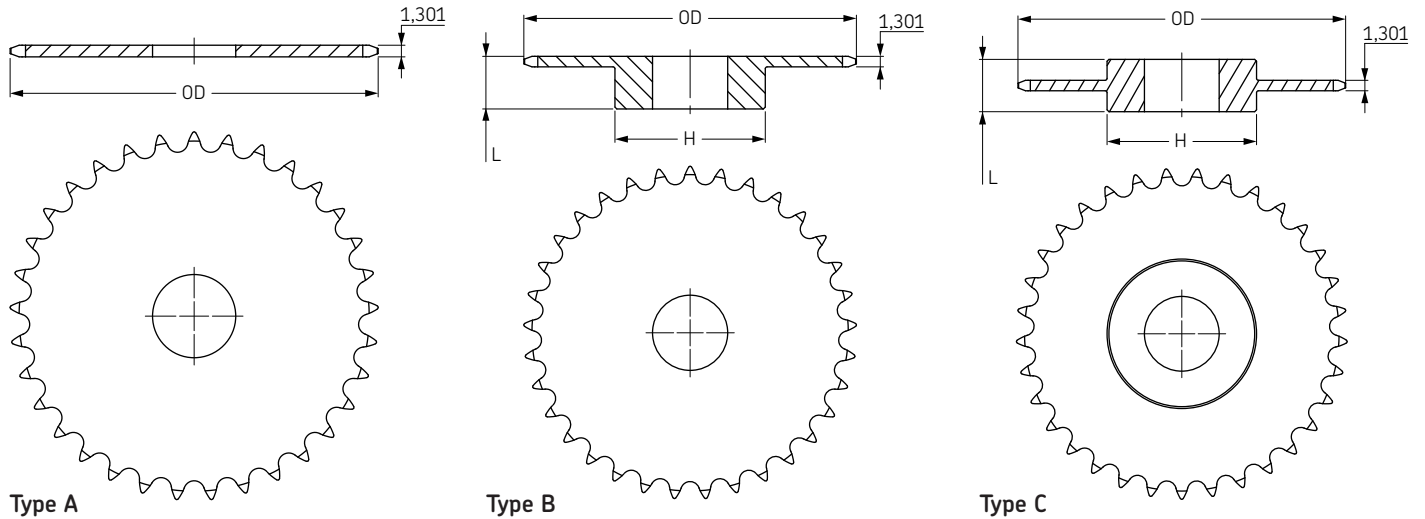


# ANSI Sprockets

Simplex  
Pilot Bore

- ▶ ..... Belts
- ▶ ..... Chains
- ▶ ..... Couplings
- ▶ ..... Bushings and Hubs
- ▶ ..... Sprockets
- ▶ ..... Pulleys
- ▶ ..... Smart tools

## ANSI 180-1 2 1/4" Pitch



### Pilot Bore Type B/C

### Type A

No. Teeth	Outside Diameter	Type	Bore		Hub		Weight lbs	Designation	No. Teeth	Outside Diameter	Type	Bore Stock	Weight lbs	Designation
			Min	Max	H	L								
11	9,01	B	1 1/2	3 5/8	5 1/2	3	29	PHS 180-1B11	11	9,01	A	1 1/2	14	PHS 180-1A11
12	9,75	B	1 1/2	4	6	3	32	PHS 180-1B12	12	9,75	A	1 1/2	16	PHS 180-1A12
13	10,48	B	1 1/2	4 5/8	6 3/4	3 1/8	40	PHS 180-1B13	13	10,48	A	1 1/2	20	PHS 180-1A13
14	11,21	B	1 1/2	5 1/4	7	3 1/8	44	PHS 180-1B14	14	11,21	A	1 1/2	24	PHS 180-1A14
15	11,93	B	1 3/2	5 1/4	7	3 1/8	48	PHS 180-1B15	15	11,93	A	1 1/2	28	PHS 180-1A15
16	12,66	B	1 1/2	5 1/4	7	3 1/8	52	PHS 180-1B16	16	12,66	A	1 1/2	32	PHS 180-1A16
17	13,39	B	1 1/2	5 1/4	7	3 1/8	58	PHS 180-1B17	17	13,39	A	1 1/2	37	PHS 180-1A17
18	14,11	B	1 1/2	5 1/4	7	3 1/8	63	PHS 180-1B18	18	14,11	A	1 1/2	43	PHS 180-1A18
19	14,83	B	1 1/2	5 3/8	7 1/2	3 3/8	74	PHS 180-1B19	19	14,83	A	1 1/2	47	PHS 180-1A19
20	15,56	B	1 1/2	5 3/8	7 1/2	3 3/8	81	PHS 180-1B20	20	15,56	A	1 1/2	53	PHS 180-1A20
21	16,28	B	1 1/2	5 3/8	7 1/2	3 3/8	83	PHS 180-1B21	21	16,28	A	1 1/2	57	PHS 180-1A21
22	17,00	B	1 1/2	5 3/8	7 1/2	3 3/8	92	PHS 180-1B22	22	17,00	A	1 1/2	62	PHS 180-1A22
23	17,72	B	1 1/2	5 3/8	7 1/2	3 3/8	99	PHS 180-1B23	23	17,72	A	1 1/2	69	PHS 180-1A23
24	18,44	B	1 1/2	5 3/8	7 1/2	3 3/8	105	PHS 180-1B24	24	18,44	A	1 1/2	77	PHS 180-1A24
25	19,16	B	1 1/2	5 3/8	7 1/2	3 3/8	113	PHS 180-1B25	25	19,16	A	1 1/2	84	PHS 180-1A25
28	21,32	B	1 1/2	5 1/2	8	3 1/2	135	PHS 180-1B28	28	21,32	A	1 1/2	104	PHS 180-1A28
30	22,76	C	1 1/2	5 3/4	8 1/2	4 3/8	180	PHS 180-1C30	30	22,76	A	1 1/2	120	PHS 180-1A30
35	26,35	C	1 1/2	5 3/4	8 1/2	4 3/8	222	PHS 180-1C35	35	26,35	A	1 1/2	172	PHS 180-1A35
40	29,94	C	1 1/2	5 3/4	8 1/2	4 3/8	270	PHS 180-1C40	40	29,94	A	1 1/2	229	PHS 180-1A40
45	33,53	C	1 1/2	6	9	5	315	PHS 180-1C45	45	33,53	A	1 1/2	284	PHS 180-1A45
54	39,98	C	1 1/2	6	9	5	477	PHS 180-1C54	54	39,98	A	1 1/2	420	PHS 180-1A54
60	44,28	C	1 1/2	6 1/2	9 1/2	5 3/8	489	PHS 180-1C60	60	44,28	A	1 1/2	505	PHS 180-1A60

Maximum bores can accommodate standard keyways. Larger bores are available where a shallow keyway is used or no keyway is required.

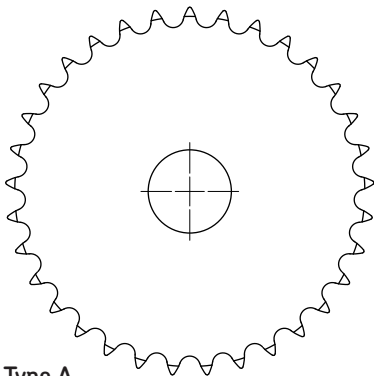
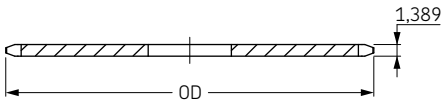


# ANSI Sprockets

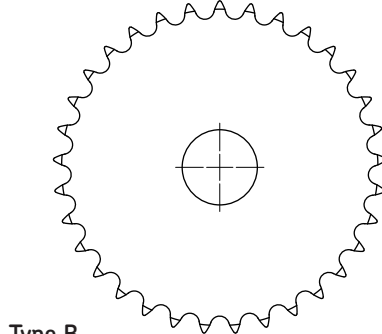
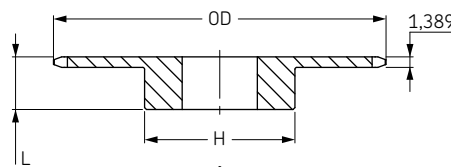
Simplex  
Pilot Bore



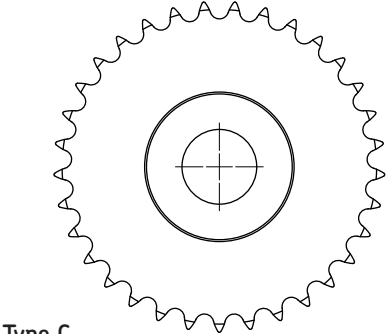
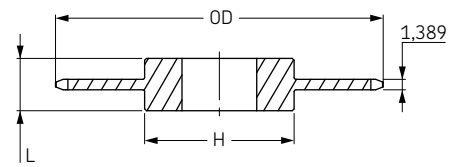
## ANSI 200-1 2 1/2" Pitch



Type A



Type B



Type C

## Pilot Bore Type B/C

## Type A

No. Teeth	Outside Diameter	Type	Bore		Hub		Weight lbs	Designation	No. Teeth	Outside Diameter	Type	Bore Stock	Weight lbs	Designation
			Min	Max	H	L								
	Inch		Inch	Inch	Inch	Inch			Inch		Inch			
10	9.20	B	1 1/2	3 3/4	5 1/2	3	26	PHS 200-1B10	10	9.20	A	1 1/2	16	PHS 200-1A10
11	10.02	B	1 1/2	4	6	3	33	PHS 200-1B11	11	10.02	A	1 1/2	20	PHS 200-1A11
12	10.83	B	1 1/2	4 1/2	6 1/2	3	37	PHS 200-1B12	12	10.83	A	1 1/2	24	PHS 200-1A12
13	11.64	B	1 1/2	5 1/4	7	3	46	PHS 200-1B13	13	11.64	A	1 1/2	30	PHS 200-1A13
14	12.46	B	1 1/2	5 3/8	7 1/2	3 1/2	59	PHS 200-1B14	14	12.46	A	1 1/2	32	PHS 200-1A14
15	13.26	B	1 1/2	5 3/8	7 1/2	3 1/2	64	PHS 200-1B15	15	13.26	A	1 1/2	40	PHS 200-1A15
16	14.07	B	1 1/2	5 3/8	7 1/2	3 1/2	72	PHS 200-1B16	16	14.07	A	1 1/2	46	PHS 200-1A16
17	14.87	B	1 1/2	5 3/8	7 1/2	3 1/2	76	PHS 200-1B17	17	14.87	A	1 1/2	51	PHS 200-1A17
18	15.68	B	1 1/2	5 3/8	7 1/2	3 1/2	84	PHS 200-1B18	18	15.68	A	1 1/2	57	PHS 200-1A18
19	16.48	B	1 1/2	5 3/8	7 1/2	3 1/2	91	PHS 200-1B19	19	16.48	A	1 1/2	65	PHS 200-1A19
20	17.29	B	1 1/2	5 3/8	7 1/2	3 1/2	98	PHS 200-1B20	20	17.29	A	1 1/2	72	PHS 200-1A20
21	18.09	B	1 1/2	5 3/8	7 1/2	3 1/2	106	PHS 200-1B21	21	18.09	A	1 1/2	82	PHS 200-1A21
22	18.89	B	1 1/2	5 3/4	8 1/2	4	131	PHS 200-1B22	22	18.89	A	1 1/2	88	PHS 200-1A22
23	19.69	B	1 1/2	5 3/4	8 1/2	4	136	PHS 200-1B23	23	19.69	A	1 1/2	95	PHS 200-1A23
24	20.49	B	1 1/2	5 3/4	8 1/2	4	142	PHS 200-1B24	24	20.49	A	1 1/2	105	PHS 200-1A24
25	21.29	B	1 1/2	5 3/4	8 1/2	4	153	PHS 200-1B25	25	21.29	A	1 1/2	113	PHS 200-1A25
26	22.09	C	1 1/2	5 3/4	8 1/2	4 1/2	178	PHS 200-1C26	26	22.09	A	1 1/2	124	PHS 200-1A26
28	23.69	C	1 1/2	5 3/4	8 1/2	4 1/2	195	PHS 200-1C28	28	23.69	A	1 1/2	144	PHS 200-1A28
30	25.29	C	1 1/2	5 3/4	8 1/2	4 1/2	212	PHS 200-1C30	30	25.29	A	1 1/2	167	PHS 200-1A30
32	26.88	C	1 1/2	5 3/4	8 1/2	4 1/2	220	PHS 200-1C32	32	26.88	A	1 1/2	195	PHS 200-1A32
35	29.28	C	1 1/2	5 3/4	8 1/2	4 1/2	254	PHS 200-1C35	35	29.28	A	1 1/2	227	PHS 200-1A35
40	33.27	C	1 1/2	6	9	5	320	PHS 200-1C40	40	33.27	A	1 1/2	301	PHS 200-1A40
45	37.25	C	1 1/2	6	9	5	364	PHS 200-1C45	45	37.25	A	1 1/2	390	PHS 200-1A45
54	44.42	C	1 1/2	6 1/2	9 1/2	5 1/2	512	PHS 200-1C54	54	44.42	A	1 1/2	555	PHS 200-1A54
60	49.20	C	1 1/2	6 1/2	9 1/2	5 1/2	654	PHS 200-1C60	60	49.20	A	1 1/2	692	PHS 200-1A60

Maximum bores can accommodate standard keyways. Larger bores are available where a shallow keyway is used or no keyway is required.

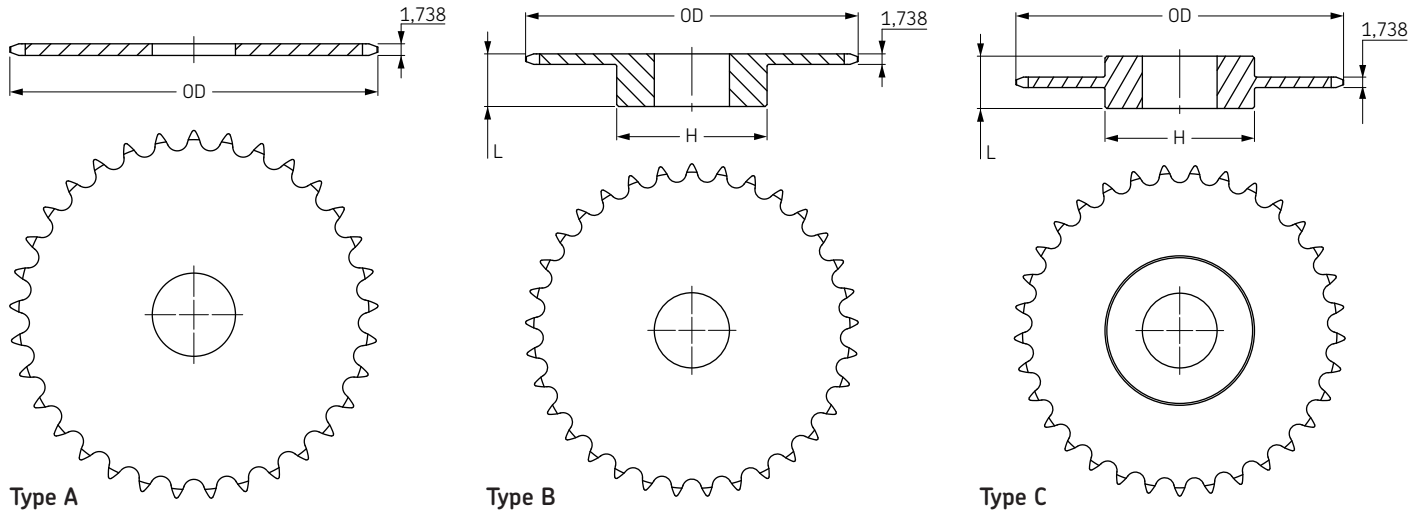


# ANSI Sprockets

Simplex  
Pilot Bore

- ▶ ..... Belts
- ▶ ..... Chains
- ▶ ..... Couplings
- ▶ ..... Bushings and Hubs
- ▶ ..... Sprockets
- ▶ ..... Pulleys
- ▶ ..... Smart tools

## ANSI 240-1 3" Pitch



## Pilot Bore Type B/C

## Type A

No. Teeth	Outside Diameter	Type	Bore		Hub		Weight lbs	Designation	No. Teeth	Outside Diameter	Type	Bore Stock	Weight lbs	Designation
			Min	Max	H	L								
10	11,03	B	1 1/2	4 1/2	6 1/2	3 3/8	49	PHS 240-1B10	10	11,03	A	1 1/2	30	PHS 240-1A10
11	12,02	B	1 1/2	4 3/4	7	3 7/8	66	PHS 240-1B11	11	12,02	A	1 1/2	37	PHS 240-1A11
12	13,00	B	1 1/2	5 3/8	7 1/2	3 7/8	72	PHS 240-1B12	12	13,00	A	1 1/2	45	PHS 240-1A12
13	13,97	B	1 1/2	5 3/8	7 1/2	3 7/8	81	PHS 240-1B13	13	13,97	A	1 1/2	54	PHS 240-1A13
14	14,94	B	1 1/2	5 3/8	7 1/2	3 7/8	88	PHS 240-1B14	14	14,94	A	1 1/2	62	PHS 240-1A14
15	15,91	B	1 1/2	5 3/8	7 1/2	3 7/8	98	PHS 240-1B15	15	15,91	A	1 1/2	68	PHS 240-1A15
16	16,88	B	1 1/2	5 1/2	8	4 1/8	120	PHS 240-1B16	16	16,88	A	1 1/2	82	PHS 240-1A16
17	17,85	B	1 1/2	5 1/2	8	4 1/8	137	PHS 240-1B17	17	17,85	A	1 1/2	93	PHS 240-1A17
18	18,81	B	1 1/2	5 1/2	8	4 1/8	142	PHS 240-1B18	18	18,81	A	1 1/2	108	PHS 240-1A18
19	19,78	B	1 1/2	5 1/2	8	4 1/8	154	PHS 240-1B19	19	19,78	A	1 1/2	120	PHS 240-1A19
20	20,74	B	1 1/2	5 1/2	8	4 1/8	169	PHS 240-1B20	20	20,74	A	1 1/2	128	PHS 240-1A20
21	21,71	B	1 1/2	5 1/2	8	4 1/8	186	PHS 240-1B21	21	21,71	A	1 1/2	148	PHS 240-1A21
25	25,55	B	1 1/2	5 1/2	8	4 1/8	254	PHS 240-1B25	25	25,55	A	1 1/2	208	PHS 240-1A25
30	30,34	C	1 1/2	6	9	6 1/4	398	PHS 240-1C30	30	30,34	A	1 1/2	310	PHS 240-1A30
35	35,13	C	1 1/2	6	9	6 1/4	527	PHS 240-1C35	35	35,13	A	1 1/2	416	PHS 240-1A35
40	39,92	C	1 1/2	7	10	6 3/4	672	PHS 240-1C40	40	39,92	A	1 1/2	548	PHS 240-1A40
45	44,70	C	1 1/2	7	10	6 3/4	850	PHS 240-1C45	45	44,70	A	1 1/2	702	PHS 240-1A45
54	53,31	C	1 1/2	7	10	6 3/4	1148	PHS 240-1C54	54	53,31	A	1 1/2	1022	PHS 240-1A54
60	59,04	C	1 1/2	7	10	6 3/4	1419	PHS 240-1C60	60	59,04	A	1 1/2	1268	PHS 240-1A60

Maximum bores can accommodate standard keyways. Larger bores are available where a shallow keyway is used or no keyway is required.



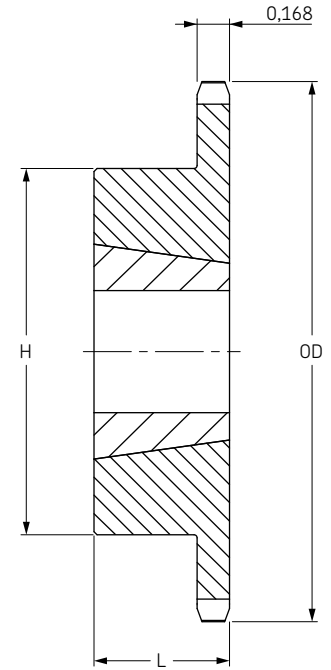
# ANSI Sprockets

Simplex  
Taper Bushed



## ANSI 35-1 3/8" Pitch Taper Bushed Type B

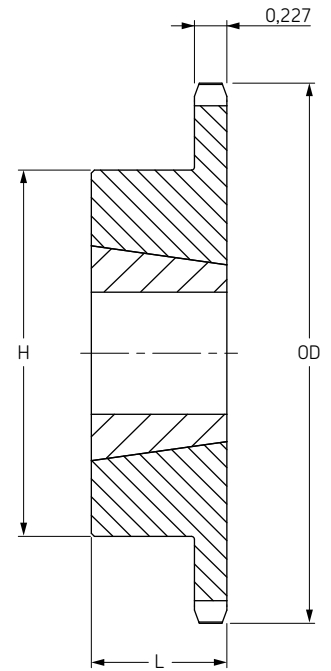
No. Teeth	Diameter		Type	Bushing Size	Bore		Dimensions		Weight		Designation
	Outside	Pitch			Min	Max	L	H	Rim	Bushing	
	Inch	Inch			Inch	Inch	Inch	Inch	lbs	lbs	
18	2,352	2,159	B	1008	3/8	1	7/8	1 7/8	0,4	0,3	PHS 35-1TB18
19	2,472	2,278	B	1008	3/8	1	7/8	1 13/16	0,5	0,3	PHS 35-1TB19
20	2,593	2,397	B	1008	3/8	1	7/8	1 15/16	0,6	0,3	PHS 35-1TB20
21	2,713	2,516	B	1008	3/8	1	7/8	2 1/16	0,7	0,3	PHS 35-1TB21
22	2,883	2,635	B	1210	5/8	1 1/4	1	2 3/8	0,8	0,6	PHS 35-1TB22
23	2,954	2,754	B	1210	5/8	1 1/4	1	2 7/16	0,9	0,6	PHS 35-1TB23
24	3,074	2,873	B	1210	5/8	1 1/4	1	2 7/16	0,9	0,6	PHS 35-1TB24
25	3,194	2,992	B	1210	5/8	1 1/4	1	2 7/16	1,2	0,6	PHS 35-1TB25
26	3,314	3,111	B	1610	1/2	1 5/8	1	2 7/8	1,1	0,9	PHS 35-1TB26
28	3,553	3,349	B	1610	1/2	1 5/8	1	2 7/8	1,2	0,9	PHS 35-1TB28
30	3,793	3,588	B	1610	1/2	1 5/8	1	3 1/8	1,2	0,9	PHS 35-1TB30
32	4,032	3,826	B	1610	1/2	1 5/8	1	3 1/4	1,3	0,9	PHS 35-1TB32
35	4,392	4,183	B	1610	1/2	1 5/8	1	3 1/4	1,4	0,9	PHS 35-1TB35
36	4,511	4,303	B	1610	1/2	1 5/8	1	3 1/4	1,4	0,9	PHS 35-1TB36
40	4,990	4,786	B	1610	1/2	1 5/8	1	3 1/4	1,9	0,9	PHS 35-1TB40
42	5,229	5,018	B	1610	1/2	1 5/8	1	3 1/4	2,0	0,9	PHS 35-1TB42
45	5,588	5,376	B	1610	1/2	1 5/8	1	3 1/4	2,1	0,9	PHS 35-1TB45
48	5,946	5,734	B	1610	1/2	1 5/8	1	3 1/4	2,3	0,9	PHS 35-1TB48
54	6,663	6,449	B	1610	1/2	1 5/8	1	3 1/4	2,6	0,9	PHS 35-1TB54
60	7,380	7,165	B	1610	1/2	1 5/8	1	3 1/4	3,0	0,9	PHS 35-1TB60
70	8,575	8,358	B	1610	1/2	1 5/8	1	3 1/4	3,7	0,9	PHS 35-1TB70
72	8,814	8,597	B	1610	1/2	1 5/8	1	3 1/4	3,9	0,9	PHS 35-1TB72
80	9,770	9,552	B	1610	1/2	1 5/8	1	3 1/4	4,5	0,9	PHS 35-1TB80
84	10,247	10,029	B	1610	1/2	1 5/8	1	3 1/4	4,9	0,9	PHS 35-1TB84
96	11,680	11,461	B	1610	1/2	1 5/8	1	3 1/4	6,0	0,9	PHS 35-1TB96
112	13,590	13,371	B	1610	1/2	1 5/8	1	3 1/4	7,8	0,9	PHS 35-1TB112



Type B

## ANSI 41-1 1/2" Pitch Taper Bushed Type B

No. Teeth	Diameter		Type	Bushing Size	Bore		Dimensions		Weight		Designation
	Outside	Pitch			Min	Max	L	H	Rim	Bushing	
	Inch	Inch			Inch	Inch	Inch	Inch	lbs	lbs	
14	2,49	2,247	B	1008	3/8	1	7/8	1 7/8	0,4	0,3	PHS 41-1TB14
15	2,65	2,405	B	1008	3/8	1	7/8	1 7/8	0,5	0,3	PHS 41-1TB15
16	2,81	2,503	B	1008	3/8	1	7/8	2	0,6	0,3	PHS 41-1TB16
17	2,97	2,721	B	1210	5/8	1 1/4	1	2 3/8	0,7	0,6	PHS 41-1TB17
18	3,14	2,879	B	1210	5/8	1 1/4	1	3 3/8	0,9	0,6	PHS 41-1TB18
19	3,30	3,038	B	1210	5/8	1 1/4	1	2 1/2	1,1	0,6	PHS 41-1TB19
20	3,46	3,196	B	1610	1/2	1 5/8	1	2 7/8	1,1	0,9	PHS 41-1TB20
21	3,62	3,355	B	1610	1/2	1 5/8	1	3	1,2	0,9	PHS 41-1TB21
22	3,78	3,513	B	1610	1/2	1 5/8	1	3	1,3	0,9	PHS 41-1TB22
23	3,94	3,672	B	1610	1/2	1 5/8	1	3	1,4	0,9	PHS 41-1TB23
24	4,10	3,831	B	1610	1/2	1 5/8	1	3	1,4	0,9	PHS 41-1TB24
25	4,26	3,989	B	1610	1/2	1 5/8	1	3	1,5	0,9	PHS 41-1TB25
26	4,42	4,148	B	1610	1/2	1 5/8	1	3	1,5	0,9	PHS 41-1TB26
28	4,74	4,466	B	1610	1/2	1 5/8	1	3	1,7	0,9	PHS 41-1TB28
30	5,06	4,783	B	1610	1/2	1 5/8	1	3	1,8	0,9	PHS 41-1TB30
32	5,38	5,101	B	1610	1/2	1 5/8	1	3	1,9	0,9	PHS 41-1TB32
35	5,86	5,578	B	1610	1/2	1 5/8	1	3	2,3	0,9	PHS 41-1TB35
36	6,02	5,737	B	1610	1/2	1 5/8	1	3	2,4	0,9	PHS 41-1TB36
40	6,65	6,373	B	1610	1/2	1 5/8	1	3	2,7	0,9	PHS 41-1TB40
45	7,45	7,168	B	1610	1/2	1 5/8	1	3	3,5	0,9	PHS 41-1TB45
48	7,93	7,645	B	1610	1/2	1 5/8	1	3	4,1	0,9	PHS 41-1TB48
54	8,88	8,599	B	1610	1/2	1 5/8	1	3	4,9	0,9	PHS 41-1TB54
60	9,84	9,554	B	1610	1/2	1 5/8	1	3	5,7	0,9	PHS 41-1TB60
70	11,43	11,145	B	1610	1/2	1 5/8	1	3	7,4	0,9	PHS 41-1TB70
72	11,75	11,463	B	1610	1/2	1 5/8	1	3	8,2	0,9	PHS 41-1TB72
80	13,03	12,736	B	1610	1/2	1 5/8	1	3	9,6	0,9	PHS 41-1TB80
96	15,57	15,282	B	1610	1/2	1 5/8	1	3	13,1	0,9	PHS 41-1TB96



Type B



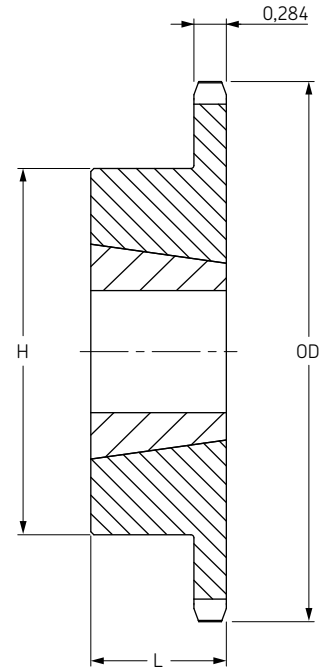
# ANSI Sprockets

Simplex  
Taper Bushed

- ▶ ..... Belts
- ▶ ..... Chains
- ▶ ..... Couplings
- ▶ ..... Bushings and Hubs
- ▶ ..... Sprockets
- ▶ ..... Pulleys
- ▶ ..... Smart tools

## ANSI 40-1 1/2" Pitch Taper Bushed Type B

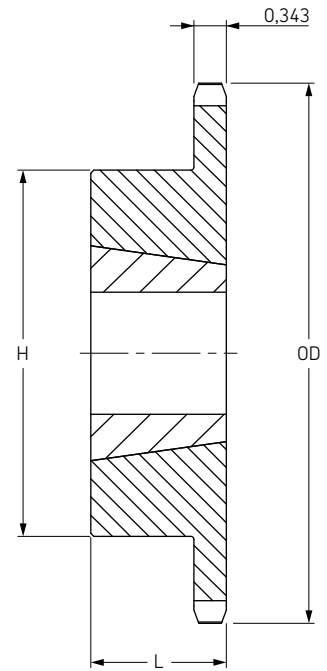
No. Teeth	Diameter		Type	Bushing Size	Bore		Dimensions		Weight		Designation
	Outside	Pitch			Min	Max	L	H	Rim	Bushing	
14	2,491	2,247	B	1008	3/8	1	7/8	1 13/16	0,3	0,3	PHS 40-1TB14
15	2,652	2,405	B	1008	3/8	1	7/8	1 13/16	0,4	0,3	PHS 40-1TB15
16	2,814	2,563	B	1008	3/8	1	7/8	1 15/16	0,5	0,3	PHS 40-1TB16
17	2,975	2,721	B	1210	5/8	1 1/4	1	2 3/8	0,5	0,3	PHS 40-1TB17
18	3,135	2,879	B	1210	5/8	1 1/4	1	2 15/32	0,6	0,6	PHS 40-1TB18
19	3,296	3,038	B	1210	5/8	1 1/4	1	2 15/32	0,7	0,6	PHS 40-1TB19
20	3,457	3,196	B	1610	1/2	1 5/8	1	2 25/32	0,7	0,9	PHS 40-1TB20
21	3,617	3,355	B	1610	1/2	1 5/8	1	2 25/32	0,8	0,9	PHS 40-1TB21
22	3,778	3,513	B	1610	1/2	1 5/8	1	2 25/32	0,9	0,9	PHS 40-1TB22
23	3,938	3,672	B	1610	1/2	1 5/8	1	3	1,0	0,9	PHS 40-1TB23
24	4,098	3,831	B	1610	1/2	1 5/8	1	3 1/4	1,4	0,9	PHS 40-1TB24
25	4,258	3,989	B	1610	1/2	1 5/8	1	3 1/4	1,5	0,9	PHS 40-1TB25
26	4,418	4,148	B	1610	1/2	1 5/8	1	3 1/4	1,7	0,9	PHS 40-1TB26
28	4,738	4,466	B	1610	1/2	1 5/8	1	3	1,8	0,9	PHS 40-1TB28
30	5,057	4,783	B	1610	1/2	1 5/8	1	3	1,9	0,9	PHS 40-1TB30
32	5,377	5,101	B	1610	1/2	1 5/8	1	3	1,9	0,9	PHS 40-1TB32
35	5,855	5,578	B	1610	1/2	1 5/8	1	3	2,3	0,9	PHS 40-1TB35
36	6,015	5,737	B	1610	1/2	1 5/8	1	3	2,4	0,9	PHS 40-1TB36
40	6,653	6,373	B	1610	1/2	1 5/8	1	3	2,8	0,9	PHS 40-1TB40
42	6,972	6,691	B	1610	1/2	1 5/8	1	3	2,9	0,9	PHS 40-1TB42
45	7,451	7,168	B	1610	1/2	1 5/8	1	3	3,5	0,9	PHS 40-1TB45
48	7,928	7,645	B	1610	1/2	1 5/8	1	3	4,0	0,9	PHS 40-1TB48
54	8,885	8,599	B	1610	1/2	1 5/8	1	3	4,9	0,9	PHS 40-1TB54
60	9,841	9,554	B	1610	1/2	1 5/8	1	3	6,0	0,9	PHS 40-1TB60
70	11,434	11,145	B	2012	3/4	2	1 1/4	3 9/16	8,2	1,7	PHS 40-1TB70
72	11,752	11,463	B	2012	3/4	2	1 1/4	3 9/16	9,0	1,7	PHS 40-1TB72
80	13,026	12,736	B	2012	3/4	2	1 1/4	3 9/16	10,8	1,7	PHS 40-1TB80
84	13,663	13,372	B	2012	3/4	2	1 1/4	3 9/16	11,3	1,7	PHS 40-1TB84
96	15,573	15,282	B	2012	3/4	2	1 1/4	3 9/16	14,6	1,7	PHS 40-1TB96
112	18,122	17,828	B	2517	3/4	2 1/2	1 3/4	4 1/4	20,5	1,7	PHS 40-1TB112



Type B

## ANSI 50-1 5/8" Pitch Taper Bushed Type B

No. Teeth	Diameter		Type	Bushing Size	Bore		Dimensions		Weight		Designation
	Outside	Pitch			Min	Max	L	H	Rim	Bushing	
12	2,708	2,415	B	1008	3/8	1	7/8	1 15/16	0,5	0,3	PHS 50-1TB12
13	2,911	2,612	B	1008	3/8	1	7/8	1 13/16	0,5	0,3	PHS 50-1TB13
14	3,113	2,809	B	1008	3/8	1	7/8	1 15/16	0,6	0,3	PHS 50-1TB14
15	3,315	3,006	B	1210	5/8	1 1/4	1	2 15/32	0,7	0,6	PHS 50-1TB15
16	3,517	3,204	B	1610	1/2	1 5/8	1	2 25/32	0,7	0,9	PHS 50-1TB16
17	3,719	3,401	B	1610	1/2	1 5/8	1	2 25/32	0,8	0,9	PHS 50-1TB17
18	3,920	3,599	B	1610	1/2	1 5/8	1	2 25/32	0,9	0,9	PHS 50-1TB18
19	4,120	3,797	B	1610	1/2	1 5/8	1	3	1,3	0,9	PHS 50-1TB19
20	4,321	3,995	B	1610	1/2	1 5/8	1	3 1/4	1,6	0,9	PHS 50-1TB20
21	4,522	4,193	B	1610	1/2	1 5/8	1	3	1,5	0,9	PHS 50-1TB21
22	4,722	4,392	B	1610	1/2	1 5/8	1	3	1,6	0,9	PHS 50-1TB22
23	4,922	4,590	B	2012	3/4	2	1 1/4	3 9/16	2,0	1,7	PHS 50-1TB23
24	5,122	4,788	B	2012	3/4	2	1 1/4	3 9/16	2,2	1,7	PHS 50-1TB24
25	5,322	4,987	B	2012	3/4	2	1 1/4	3 9/16	2,4	1,7	PHS 50-1TB25
26	5,522	5,185	B	2012	3/4	2	1 1/4	3 9/16	2,5	1,7	PHS 50-1TB26
27	5,723	5,384	B	2012	3/4	2	1 1/4	3 9/16	2,6	1,7	PHS 50-1TB27
28	5,922	5,582	B	2012	3/4	2	1 1/4	3 9/16	2,8	1,7	PHS 50-1TB28
30	6,321	5,979	B	2012	3/4	2	1 1/4	3 9/16	3,2	1,7	PHS 50-1TB30
32	6,721	6,376	B	2012	3/4	2	1 1/4	3 9/16	3,6	1,7	PHS 50-1TB32
35	7,319	6,972	B	2012	3/4	2	1 1/4	3 9/16	4,2	1,7	PHS 50-1TB35
36	7,519	7,171	B	2012	3/4	2	1 1/4	3 9/16	4,3	1,7	PHS 50-1TB36
40	8,316	7,966	B	2012	3/4	2	1 1/4	3 9/16	5,2	1,7	PHS 50-1TB40
42	8,715	8,363	B	2012	3/4	2	1 1/4	3 9/16	5,9	1,7	PHS 50-1TB42
45	9,313	8,960	B	2012	3/4	2	1 1/4	3 9/16	6,5	1,7	PHS 50-1TB45
48	9,911	9,556	B	2012	3/4	2	1 1/4	3 9/16	7,3	1,7	PHS 50-1TB48
54	11,106	10,749	B	2012	3/4	2	1 1/4	3 9/16	9,0	1,7	PHS 50-1TB54
60	12,301	11,942	B	2012	3/4	2	1 1/4	3 9/16	10,8	1,7	PHS 50-1TB60
70	14,292	13,931	B	2517	3/4	2 1/2	1 3/4	4 1/4	14,0	3,5	PHS 50-1TB70
72	14,690	14,329	B	2517	3/4	2 1/2	1 3/4	4 1/4	15,5	3,5	PHS 50-1TB72
80	16,282	15,920	B	2517	3/4	2 1/2	1 3/4	4 1/4	19,5	3,5	PHS 50-1TB80
84	17,079	16,715	B	2517	3/4	2 1/2	1 3/4	4 1/4	22,5	3,5	PHS 50-1TB84
96	19,466	19,102	B	2517	3/4	2 1/2	1 3/4	4 1/4	29,0	3,5	PHS 50-1TB96
112	22,651	22,285	B	2517	3/4	2 1/2	1 3/4	4 1/4	38,7	3,5	PHS 50-1TB112



Type B



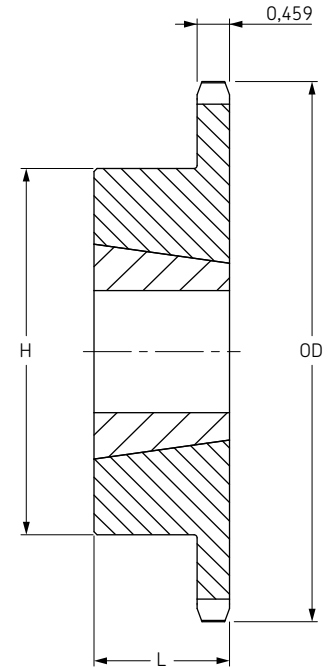
# ANSI Sprockets

Simplex  
Taper Bushed



## ANSI 60-1 3/4" Pitch Taper Bushed Type B

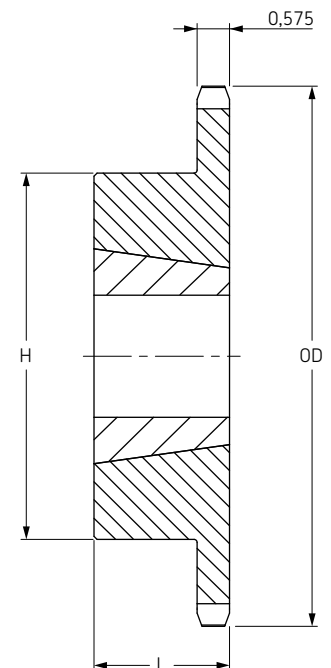
No. Teeth	Diameter		Type	Bushing Size	Bore		Dimensions		Weight		Designation
	Outside	Pitch			Min	Max	L	H	Rim	Bushing	
	Inch	Inch			Inch	Inch	Inch	Inch	lbs	lbs	
11	3,004	2,662	B	1008	3/8	1	7/8	1 13/16	0,6	0,3	PHS 60-1TB11
12	3,249	2,898	B	1008	3/8	1	7/8	1 15/16	0,8	0,3	PHS 60-1TB12
13	3,493	3,134	B	1210	5/8	1 1/4	1	2 15/32	0,8	0,6	PHS 60-1TB13
14	3,736	3,371	B	1210	5/8	1 1/4	1	2 15/32	1,0	0,6	PHS 60-1TB14
15	3,979	3,607	B	1610	1/2	1 5/8	1	2 25/32	1,0	0,9	PHS 60-1TB15
16	4,221	3,844	B	1610	1/2	1 5/8	1	3	1,4	0,9	PHS 60-1TB16
17	4,462	4,082	B	1610	1/2	1 5/8	1	3 1/4	1,8	0,9	PHS 60-1TB17
18	4,704	4,319	B	1610	1/2	1 5/8	1	3 1/4	1,9	0,9	PHS 60-1TB18
19	4,945	4,557	B	1610	1/2	1 5/8	1	3 1/4	2,2	0,9	PHS 60-1TB19
20	5,185	4,794	B	2012	3/4	2	1 1/4	3 9/16	2,2	1,7	PHS 60-1TB20
21	5,426	5,032	B	2012	3/4	2	1 1/4	3 9/16	2,5	1,7	PHS 60-1TB21
22	5,666	5,270	B	2012	3/4	2	1 1/4	3 9/16	2,8	1,7	PHS 60-1TB22
23	5,907	5,508	B	2012	3/4	2	1 1/4	3 9/16	3,1	1,7	PHS 60-1TB23
24	6,147	5,746	B	2012	3/4	2	1 1/4	3 9/16	3,4	1,7	PHS 60-1TB24
25	6,387	5,984	B	2012	3/4	2	1 1/4	3 9/16	3,7	1,7	PHS 60-1TB25
26	6,627	6,222	B	2012	3/4	2	1 1/4	3 9/16	4,0	1,7	PHS 60-1TB26
27	6,867	6,416	B	2012	3/4	2	1 1/4	3 9/16	4,2	1,7	PHS 60-1TB27
28	7,107	6,699	B	2012	3/4	2	1 1/4	3 9/16	4,6	1,7	PHS 60-1TB28
30	7,586	7,175	B	2012	3/4	2	1 1/4	3 9/16	5,2	1,7	PHS 60-1TB30
32	8,065	7,652	B	2012	3/4	2	1 1/4	3 9/16	5,6	1,7	PHS 60-1TB32
35	8,783	8,367	B	2012	3/4	2	1 1/4	3 9/16	6,4	1,7	PHS 60-1TB35
36	9,022	8,605	B	2012	3/4	2	1 1/4	3 9/16	6,6	1,7	PHS 60-1TB36
40	9,980	9,559	B	2012	3/4	2	1 1/4	3 9/16	8,3	1,7	PHS 60-1TB40
42	10,458	10,036	B	2012	3/4	2	1 1/4	3 9/16	10,0	1,7	PHS 60-1TB42
45	11,175	10,752	B	2012	3/4	2	1 1/4	3 9/16	11,5	1,7	PHS 60-1TB45
48	11,893	11,467	B	2012	3/4	2	1 1/4	3 9/16	13,2	1,7	PHS 60-1TB48
54	13,327	12,899	B	2517	3/4	2 1/2	1 3/4	4 1/4	17,1	3,5	PHS 60-1TB54
60	14,761	14,330	B	2517	3/4	2 1/2	1 3/4	4 1/4	21,0	3,5	PHS 60-1TB60
70	17,150	16,717	B	2517	3/4	2 1/2	1 3/4	4 1/4	27,6	3,5	PHS 60-1TB70
72	17,628	17,194	B	2517	3/4	2 1/2	1 3/4	4 1/4	30,0	3,5	PHS 60-1TB72
80	19,539	19,103	B	2517	3/4	2 1/2	1 3/4	4 1/4	36,3	3,5	PHS 60-1TB80
84	20,494	20,058	B	2517	3/4	2 1/2	1 3/4	4 1/4	40,6	3,5	PHS 60-1TB84



Type B

## ANSI 80-1 1" Pitch Taper Bushed Type B

No. Teeth	Diameter		Type	Bushing Size	Bore		Dimensions		Weight		Designation
	Outside	Pitch			Min	Max	L	H	Rim	Bushing	
	Diameter	Diameter			Inch	Inch	Inch	Inch	lbs	lbs	
10	3,678	3,236	B	1215	5/8	1 1/4	1 1/2	2 3/8	1,1	0,8	PHS 80-1TB10
11	4,006	3,549	B	1215	5/8	1 1/4	1 1/2	2 15/32	1,5	0,8	PHS 80-1TB11
12	4,332	3,864	B	1615	1/2	1 5/8	1 1/2	3	1,8	1,2	PHS 80-1TB12
13	4,657	4,179	B	1615	1/2	1 5/8	1 1/2	3	2,3	1,2	PHS 80-1TB13
14	4,982	4,494	B	1615	1/2	1 5/8	1 1/2	3 1/4	2,5	1,2	PHS 80-1TB14
15	5,305	4,810	B	1615	1/2	1 5/8	1 1/2	3 1/4	2,7	1,2	PHS 80-1TB15
16	5,627	5,126	B	2012	3/4	2	1 1/4	3 9/16	2,8	1,7	PHS 80-1TB16
17	5,950	5,442	B	2012	3/4	2	1 1/4	3 9/16	3,1	1,7	PHS 80-1TB17
18	6,271	5,759	B	2012	3/4	2	1 1/4	3 9/16	2,6	1,7	PHS 80-1TB18
19	6,593	6,076	B	2012	3/4	2	1 1/4	3 9/16	4,1	1,7	PHS 80-1TB19
20	6,914	6,392	B	2517	3/4	2 1/2	1 3/4	4 1/4	5,5	1,7	PHS 80-1TB20
21	7,235	6,710	B	2517	3/4	2 1/2	1 3/4	4 1/4	6,0	3,5	PHS 80-1TB21
22	7,555	7,027	B	2517	3/4	2 1/2	1 3/4	4 1/4	6,5	3,5	PHS 80-1TB22
23	7,875	7,344	B	2517	3/4	2 1/2	1 3/4	4 1/4	7,0	3,5	PHS 80-1TB23
24	8,196	7,661	B	2517	3/4	2 1/2	1 3/4	4 1/4	7,5	3,5	PHS 80-1TB24
25	8,516	7,979	B	2517	3/4	2 1/2	1 3/4	4 1/4	8,1	3,5	PHS 80-1TB25
26	8,836	8,296	B	2517	3/4	2 1/2	1 3/4	4 1/4	8,8	3,5	PHS 80-1TB26
27	9,156	8,614	B	2517	3/4	2 1/2	1 3/4	4 1/4	9,0	3,5	PHS 80-1TB27
28	9,475	8,931	B	2517	3/4	2 1/2	1 3/4	4 1/4	9,5	3,5	PHS 80-1TB28
30	10,114	9,567	B	2517	3/4	2 1/2	1 3/4	4 1/4	11,5	3,5	PHS 80-1TB30
32	10,753	10,202	B	2517	3/4	2 1/2	1 3/4	4 1/4	12,0	3,5	PHS 80-1TB32
35	11,711	11,156	B	2517	3/4	2 1/2	1 3/4	4 1/4	15,2	3,5	PHS 80-1TB35
36	12,030	11,474	B	2517	3/4	2 1/2	1 3/4	4 1/4	17,0	3,5	PHS 80-1TB36
40	13,306	12,746	B	2517	3/4	2 1/2	1 3/4	4 1/4	21,0	3,5	PHS 80-1TB40
45	14,901	14,336	B	2517	3/4	2 1/2	1 3/4	4 1/4	26,5	3,5	PHS 80-1TB45
48	15,857	15,290	B	2517	3/4	2 1/2	1 3/4	4 1/4	29,5	3,5	PHS 80-1TB48
54	17,769	17,198	B	2517	3/4	2 1/2	1 3/4	4 1/4	38,5	3,5	PHS 80-1TB54
60	19,681	19,107	B	2517	3/4	2 1/2	1 3/4	4 1/4	45,0	3,5	PHS 80-1TB60
70	22,867	22,289	B	3020	1 1/4	3	2	5 1/4	52,3	6,5	PHS 80-1TB70
80	26,052	25,471	B	3020	1 1/4	3	2	5 1/4	69,2	6,5	PHS 80-1TB80



Type B





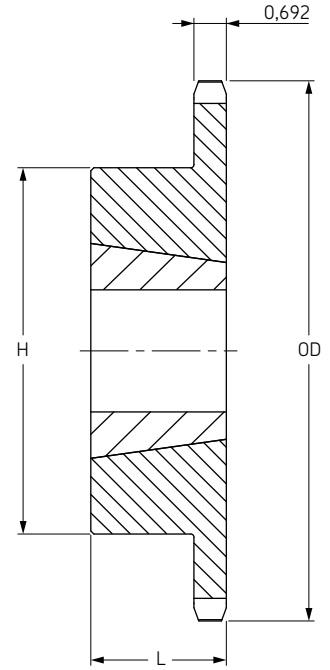
# ANSI Sprockets

Simplex  
Taper Bushed

- ▶ ..... Belts
- ▶ ..... Chains
- ▶ ..... Couplings
- ▶ ..... Bushings and Hubs
- ▶ ..... Sprockets
- ▶ ..... Pulleys
- ▶ ..... Smart tools

## ANSI 100-1 1 1/4" Pitch Taper Bushed Type B

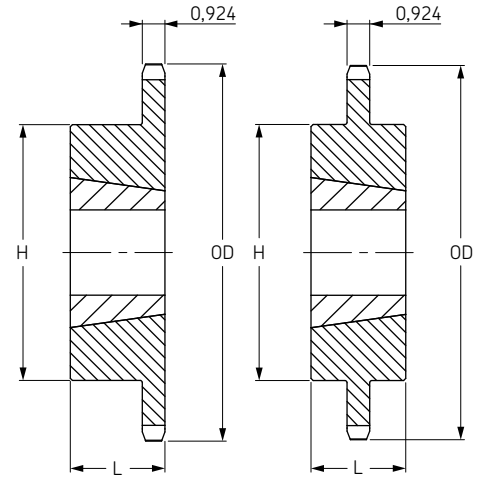
No. Teeth	Diameter		Type	Bushing Size	Bore		Dimensions		Weight		Designation
	Outside	Pitch			Min	Max	L	H	Rim	Bushing	
	Inch	Inch									
11	5,007	4,437	B	1615	1/2	1 5/8	1 1/2	3	2,7	1,2	PHS 100-1TB11
12	5,415	4,830	B	1615	1/2	1 5/8	1 1/2	3 1/4	3,5	1,2	PHS 100-1TB12
13	5,821	5,223	B	2012	3/4	2	1 1/4	3 9/16	3,6	1,7	PHS 100-1TB13
14	6,227	5,617	B	2012	3/4	2	1 1/4	3 9/16	3,9	1,7	PHS 100-1TB14
15	6,631	6,012	B	2517	3/4	2 1/2	1 3/4	4 1/4	5,0	3,5	PHS 100-1TB15
16	7,034	6,407	B	2517	3/4	2 1/2	1 3/4	4 1/2	6,4	3,5	PHS 100-1TB16
17	7,437	6,803	B	2517	3/4	2 1/2	1 3/4	4 1/2	7,1	3,5	PHS 100-1TB17
18	7,839	7,198	B	2517	3/4	2 1/2	1 3/4	4 1/2	7,8	3,5	PHS 100-1TB18
19	8,241	7,594	B	2517	3/4	2 1/2	1 3/4	4 1/2	8,7	3,5	PHS 100-1TB19
20	8,642	7,991	B	2517	3/4	2 1/2	1 3/4	4 1/2	9,6	3,5	PHS 100-1TB20
21	9,043	8,387	B	2517	3/4	2 1/2	1 3/4	4 1/2	10,6	3,5	PHS 100-1TB21
22	9,444	8,783	B	2517	3/4	2 1/2	1 3/4	4 1/2	11,0	3,5	PHS 100-1TB22
24	10,245	9,577	B	2517	3/4	2 1/2	1 3/4	4 1/2	13,0	3,5	PHS 100-1TB24
26	11,045	10,370	B	2517	3/4	2 1/2	1 3/4	4 1/2	15,0	3,5	PHS 100-1TB26
28	11,844	11,164	B	3020	1 1/4	3	2	5 1/4	16,5	6,5	PHS 100-1TB28
30	12,643	11,958	B	3020	1 1/4	3	2	5 1/4	22,0	6,5	PHS 100-1TB30
32	13,442	12,753	B	3020	1 1/4	3	2	5 1/4	23,0	6,5	PHS 100-1TB32
35	14,639	13,945	B	3020	1 1/4	3	2	5 1/4	28,0	6,5	PHS 100-1TB35
36	15,038	14,342	B	3020	1 1/4	3	2	5 1/4	31,0	6,5	PHS 100-1TB36
40	16,633	15,932	B	3020	1 1/4	3	2	5 1/4	37,0	6,5	PHS 100-1TB40
45	18,626	17,919	B	3020	1 1/4	3	2	5 1/4	46,0	6,5	PHS 100-1TB45
48	19,821	19,112	B	3020	1 1/4	3	2	5 1/4	53,0	6,5	PHS 100-1TB48
54	22,212	21,498	B	3020	1 1/4	3	2	5 1/4	62,0	6,5	PHS 100-1TB54
60	24,601	23,884	B	3020	1 1/4	3	2	5 1/4	72,0	6,5	PHS 100-1TB60



Type B

## ANSI 120-1 1 1/2" Pitch Taper Bushed Type B/C

No. Teeth	Diameter		Type	Bushing Size	Bore		Dimensions		Weight		Designation
	Outside	Pitch			Min	Max	L	H	Rim	Bushing	
	Inch	Inch									
12	6,498	5,796	B	2012	3/4	2	1 1/4	3 9/16	5,5	1,7	PHS 120-1TB12
13	6,896	6,268	B	2517	3/4	2 1/2	1 3/4	4 1/4	6,0	3,5	PHS 120-1TB13
14	7,472	6,741	B	2517	3/4	2 1/2	1 3/4	4 1/4	7,0	3,5	PHS 120-1TB14
15	7,957	7,215	B	2517	3/4	2 1/2	1 3/4	4 1/4	8,0	3,5	PHS 120-1TB15
16	8,441	7,689	B	3020	1 1/4	3	2	5 1/4	10,0	6,5	PHS 120-1TB16
17	8,924	8,163	B	3020	1 1/4	3	2	5 1/4	11,0	6,5	PHS 120-1TB17
18	9,407	8,638	B	3020	1 1/4	3	2	5 1/4	12,0	6,5	PHS 120-1TB18
19	9,889	9,113	B	3020	1 1/4	3	2	5 1/4	14,0	6,5	PHS 120-1TB19
20	10,371	9,588	B	3020	1 1/4	3	2	5 1/4	15,5	6,5	PHS 120-1TB20
21	10,851	10,064	B	3020	1 1/4	3	2	5 1/4	17,5	6,5	PHS 120-1TB21
24	12,294	11,492	B	3020	1 1/4	3	2	5 1/4	23,5	6,5	PHS 120-1TB24
26	13,254	12,444	B	3020	1 1/4	3	2	5 1/4	28,5	6,5	PHS 120-1TB26
30	15,171	14,351	B	3020	1 1/4	3	2	5 1/4	33,5	6,5	PHS 120-1TB30
35	17,566	16,734	C	3020	1 1/4	3	2	5 1/4	52,0	6,5	PHS 120-1TB35
45	22,351	21,503	C	3030	1 1/4	3	3	5 7/8	82,0	9,2	PHS 120-1TB45
60	29,522	28,661	C	3535	1 1/2	3 1/2	3 1/2	6 1/2	140,0	14,0	PHS 120-1TB60
70	34,301	33,434	C	3535	1 1/2	3 1/2	3 1/2	6 1/2	175,0	14,0	PHS 120-1TB70
80	39,078	38,207	C	3535	1 1/2	3 1/4	3 1/2	6 1/2	220,0	14,0	PHS 120-1TB80



Type B

Type C



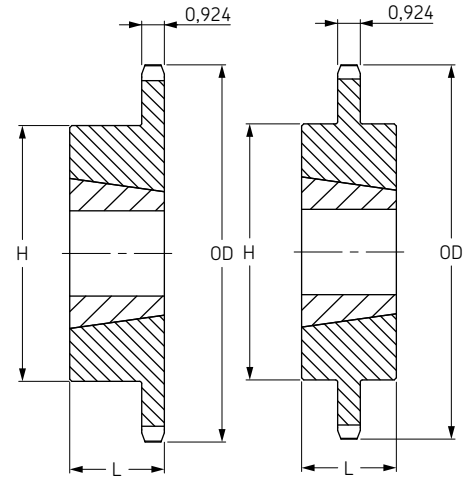
# ANSI Sprockets



Simplex  
Taper Bushed

## ANSI 140-1 1 3/4" Pitch Taper Bushed Type B/C

No. Teeth	Diameter		Type	Bushing Size	Bore		Dimensions		Weight		Designation
	Outside	Pitch			Min	Max	L	H	Rim	Bushing	
	Inch	Inch			Inch	Inch	Inch	Inch	lbs	lbs	
12	7,581	6,762	B	2517	3/4	2 1/2	1 3/4	4 1/4	7	3,5	PHS 140-1TB12
13	8,150	7,313	B	3020	1 1/4	3	2	5 1/4	8	6,5	PHS 140-1TB13
14	8,718	7,864	B	3020	1 1/4	3	2	5 1/4	10	6,5	PHS 140-1TB14
15	9,283	8,417	B	3020	1 1/4	3	2	5 1/4	12	6,5	PHS 140-1TB15
16	9,848	8,970	B	3020	1 1/4	3	2	5 1/4	14	6,5	PHS 140-1TB16
17	10,411	9,524	B	3020	1 1/4	3	2	5 1/4	16	6,5	PHS 140-1TB17
18	10,975	10,078	B	3020	1 1/4	3	2	5 1/4	18	6,5	PHS 140-1TB18
19	11,537	10,632	B	3020	1 1/4	3	2	5 1/4	20	6,5	PHS 140-1TB19
21	12,660	11,742	B	3020	1 1/4	3	2	5 1/4	24	6,5	PHS 140-1TB21
26	15,463	14,518	B	3020	1 1/4	3	2	5 1/4	40	6,5	PHS 140-1TB26
35	20,494	19,523	C	3535	1 1/2	3 1/2	3 1/2	6 1/2	78	14,0	PHS 140-1TB35
45	26,076	25,087	C	4040	1 3/4	4	4	7 3/4	118	22,0	PHS 140-1TB45
60	34,442	33,438	C	4040	1 3/4	4	4	7 3/4	188	22,0	PHS 140-1TB60
70	40,017	39,006	C	4040	1 3/4	4	4	7 3/4	241	22,0	PHS 140-1TB70

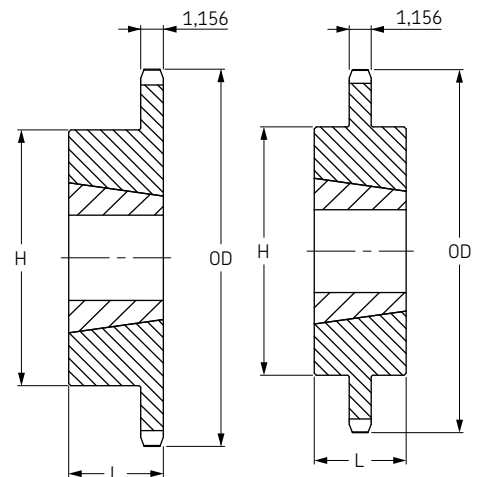


Type B

Type C

## ANSI 160-1 2" Pitch Taper Bushed Type B/C

No. Teeth	Diameter		Type	Bushing Size	Bore		Dimensions		Weight		Designation
	Outside	Pitch			Min	Max	L	H	Rim	Bushing	
	Inch	Inch			Inch	Inch	Inch	Inch	lbs	lbs	
11	8,011	7,099	B	2517	3/4	2 1/2	1 3/4	4 1/4	9,0	3,5	PHS 160-1TB11
12	8,664	7,727	B	3020	1 1/4	3	2	5 1/4	11,0	6,5	PHS 160-1TB12
13	9,314	8,357	B	3020	1 1/4	3	2	5 1/4	13,0	6,5	PHS 160-1TB13
14	9,963	8,988	B	3020	1 1/4	3	2	5 1/4	16,0	6,5	PHS 160-1TB14
15	10,609	9,620	B	3535	1 1/2	3 1/2	3 1/2	6 1/2	25,0	14,0	PHS 160-1TB15
16	11,255	10,252	B	3535	1 1/2	3 1/2	3 1/2	6 1/2	28,0	14,0	PHS 160-1TB16
17	11,899	10,885	B	3535	1 1/2	3 1/2	3 1/2	6 1/2	32,0	14,0	PHS 160-1TB17
18	12,543	11,518	B	3535	1 1/2	3 1/2	3 1/2	6 1/2	35,0	14,0	PHS 160-1TB18
19	13,185	12,151	B	3535	1 1/2	3 1/2	3 1/2	6 1/2	39,0	14,0	PHS 160-1TB19
21	14,470	13,419	B	3535	1 1/2	3 1/2	3 1/2	6 1/2	48,0	14,0	PHS 160-1TB21
26	17,671	16,593	B	3535	1 1/2	3 1/2	3 1/2	6 1/2	68,0	14,0	PHS 160-1TB26
35	23,422	22,312	C	4040	1 3/4	4	4	7 3/4	118,0	14,0	PHS 160-1TB35
45	29,802	28,671	C	4040	1 3/4	4	4	7 3/4	186,0	22,0	PHS 160-1TB45
60	39,362	38,215	C	4545	2 1/8	4 1/2	4 1/2	7 3/4	292,0	30,0	PHS 160-1TB60



Type B

Type C



# ANSI Sprockets

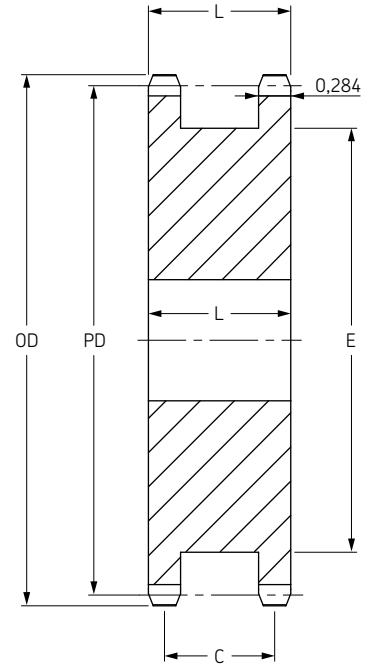
Double Simplex

- ▶ ..... Belts
- ▶ ..... Chains
- ▶ ..... Couplings
- ▶ ..... Bushings and Hubs
- ▶ ..... Sprockets
- ▶ ..... Pulleys
- ▶ ..... Smart tools

ANSI 40-1 1/2" Pitch

## Double Simplex Type A

No. Teeth	Diameter		Type	Bore		Dimensions			Weight lbs	Designation
	Outside	Pitch		Min	Max	L	C	E		
	Inch	Inch		Inch	Inch	Inch	Inch	Inch	Inch	
15	2,65	2,405	A	1/2	1 1/4	1 13/32	1 1/8	1 13/16	1,2	PHS 40-1DSA15
16	2,81	2,563	A	1/2	1 1/4	1 13/32	1 1/8	2	1,4	PHS 40-1DSA16
17	2,98	2,721	A	1/2	1 5/16	1 13/32	1 1/8	2 1/8	1,6	PHS 40-1DSA17
18	3,14	2,879	A	1/2	1 1/2	1 13/32	1 1/8	2 5/16	1,8	PHS 40-1DSA18
19	3,30	3,038	A	5/8	1 11/16	1 13/32	1 1/8	2 1/2	2,2	PHS 40-1DSA19
20	3,46	3,196	A	5/8	1 3/4	1 13/32	1 1/8	2 5/8	2,6	PHS 40-1DSA20
21	3,62	3,355	A	5/8	1 3/4	1 13/32	1 1/8	2 25/32	2,9	PHS 40-1DSA21
22	3,78	3,513	A	5/8	1 13/16	1 13/32	1 1/8	2 15/16	3,0	PHS 40-1DSA22
23	3,94	3,672	A	5/8	2 1/16	1 13/32	1 1/8	2 3/32	3,5	PHS 40-1DSA23
24	4,10	3,831	A	5/8	2 1/4	1 13/32	1 1/8	2 17/64	4,0	PHS 40-1DSA24
25	4,26	3,989	A	5/8	2 1/4	1 13/32	1 1/8	2 7/16	4,5	PHS 40-1DSA25

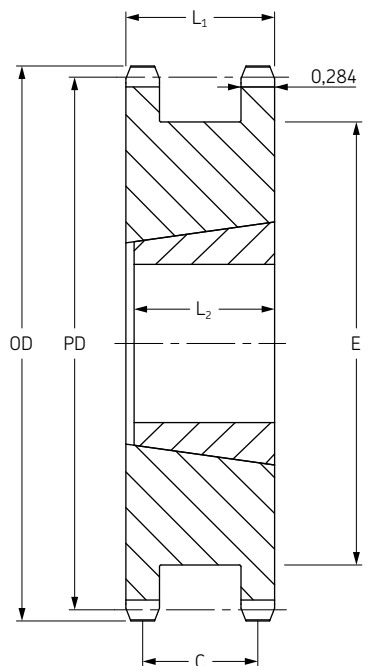


Type A

## Double Simplex Taper Bushed Type A

No. Teeth	Bushing Size	Diameter		Type	Bore		Dimensions				Weight* lbs	Designation
		Outside	Pitch		Min	Max	L <sub>1</sub>	C	E	L <sub>2</sub>		
		Inch	Inch		Inch	Inch	Inch	Inch	Inch	Inch	Inch	
18	1215	3,14	2,879	A	1/2	1 1/4	1 13/32	1 1/8	2 5/16	1 1/2	1,0	PHS 40-1BDSTB18H
19	1215	3,30	3,038	A	1/2	1 1/4	1 13/32	1 1/8	2 1/2	1 1/2	1,1	PHS 40-1BDSTB19H
20	1215	3,46	3,196	A	1/2	1 1/4	1 13/32	1 1/8	2 5/8	1 1/2	1,3	PHS 40-1BDSTB20H
21	1615	3,62	3,355	A	1/2	1 5/8	1 13/32	1 1/8	2 25/32	1 1/2	1,3	PHS 40-1BDSTB21H
23	1615	3,94	3,672	A	1/2	1 5/8	1 13/32	1 1/8	3 3/32	1 1/2	1,5	PHS 40-1BDSTB23H
24	1615	4,10	3,831	A	1/2	1 5/8	1 13/32	1 1/8	3 17/64	1 1/2	1,7	PHS 40-1BDSTB24H

\* Weight for rim only



Type A Taper Bushed



# ANSI Sprockets

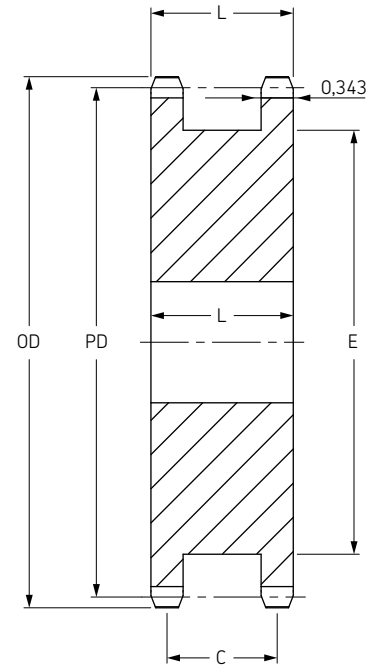
Double Simplex



ANSI 50-1 5/8" Pitch

## Double Simplex Type A

No. Teeth	Diameter		Type	Bore		Dimensions			Weight lbs	Designation
	Outside	Pitch		Min	Max	L	C	E		
	Inch	Inch		Inch	Inch	Inch	Inch	Inch		
15	3,32	3,006	A	5/8	1 1/2	1 21/32	1 3/16	2 3/8	2,1	PHS 50-1DSA15
16	3,52	3,204	A	5/8	1 11/16	1 21/32	1 5/16	2 1/2	2,4	PHS 50-1DSA16
17	3,72	3,401	A	5/8	1 3/4	1 21/32	1 5/16	2 11/16	2,9	PHS 50-1DSA17
18	3,92	3,599	A	5/8	1 7/8	1 21/32	1 5/16	2 57/64	3,3	PHS 50-1DSA18
19	4,12	3,797	A	5/8	2 1/16	1 21/32	1 5/16	3 5/64	3,7	PHS 50-1DSA19
20	4,32	3,995	A	5/8	2 1/4	1 21/32	1 5/16	3 9/32	4,2	PHS 50-1DSA20
21	4,52	4,194	A	5/8	2 1/4	1 21/32	1 5/16	3 31/64	4,8	PHS 50-1DSA21
22	4,72	4,392	A	5/8	2 7/16	1 21/32	1 5/16	3 11/16	5,3	PHS 50-1DSA22
23	4,92	4,590	A	5/8	2 5/8	1 21/32	1 5/16	3 57/64	5,8	PHS 50-1DSA23
24	5,12	4,788	A	5/8	2 3/4	1 21/32	1 5/16	4 5/64	6,3	PHS 50-1DSA24

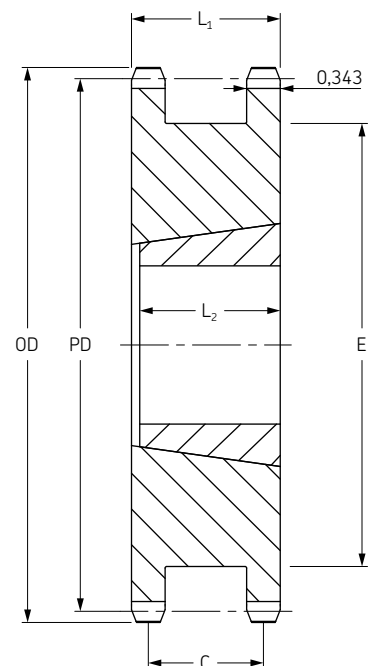


Type A

## Double Simplex Taper Bushed Type A

No. Teeth	Bushing	Diameter		Type	Bore		Dimensions				Weight* lbs	Designation
	Size	Outside	Pitch		Min	Max	L <sub>1</sub>	C	E	L <sub>2</sub>		
	Inch	Inch	Inch		Inch	Inch	Inch	Inch	Inch	Inch		
16	1215	3,52	3,204	A	1/2	1 5/8	1 21/32	1 5/16	2 31/64	1 1/2	3,0	PHS 50-1DSTB16
17	1615	3,72	3,401	A	1/2	1 5/8	1 21/32	1 5/16	2 11/16	1 1/2	1,8	PHS 50-1DSTB17
18	1615	3,92	3,599	A	1/2	1 5/8	1 21/32	1 5/16	2 57/64	1 1/2	2,2	PHS 50-1DSTB18
19	1615	4,12	3,797	A	1/2	1 5/8	1 21/32	1 5/16	3 5/64	1 1/2	2,7	PHS 50-1DSTB19
20	1615	4,32	3,995	A	1/2	1 5/8	1 21/32	1 5/16	3 9/32	1 1/2	5,0	PHS 50-1DSTB20
21	2012	4,52	4,194	A	1/2	2	1 21/32	1 5/16	3 31/64	1 1/4	3,3	PHS 50-1DSTB21
23	2012	4,92	4,590	A	1/2	2	1 21/32	1 5/16	3 57/64	1 1/4	3,7	PHS 50-1DSTB23
24	2012	5,12	4,788	A	1/2	2	1 21/32	1 5/16	4 5/64	1 1/4	4,1	PHS 50-1DSTB24

\* Weight for rim only



Type A Taper Bush



# ANSI Sprockets

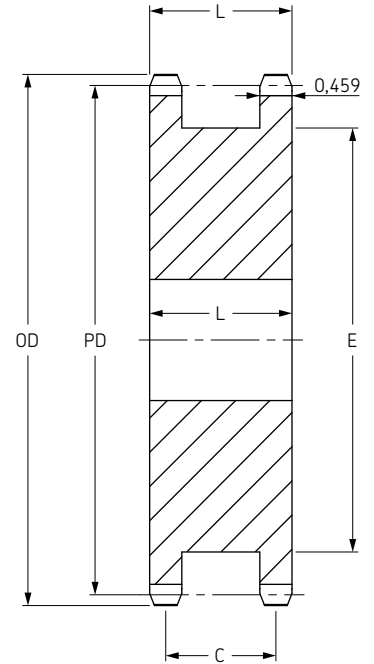
Double Simplex

- ▶ ..... Belts
- ▶ ..... Chains
- ▶ ..... Couplings
- ▶ ..... Bushings and Hubs
- ▶ ..... Sprockets
- ▶ ..... Pulleys
- ▶ ..... Smart tools

ANSI 60-1  $\frac{3}{4}$ " Pitch

## Double Simplex Type A

No. Teeth	Diameter		Type	Bore		Dimensions			Weight lbs	Designation
	Outside	Pitch		Min	Max	L	C	E		
	Inch	Inch		Inch	Inch	Inch	Inch	Inch		
13	3,49	3,134	A	$\frac{3}{4}$	1 $\frac{1}{4}$	1 $\frac{15}{16}$	1 $\frac{31}{64}$	2 $\frac{11}{32}$	2,6	PHS 60-1DSA13
14	3,74	3,371	A	$\frac{3}{4}$	1 $\frac{5}{16}$	1 $\frac{15}{16}$	1 $\frac{31}{64}$	2 $\frac{9}{16}$	3,2	PHS 60-1DSA14
15	3,98	3,607	A	$\frac{3}{4}$	1 $\frac{1}{2}$	1 $\frac{15}{16}$	1 $\frac{31}{64}$	2 $\frac{7}{8}$	3,8	PHS 60-1DSA15
16	4,22	3,844	A	$\frac{3}{4}$	1 $\frac{11}{16}$	1 $\frac{15}{16}$	1 $\frac{31}{64}$	3 $\frac{3}{64}$	4,5	PHS 60-1DSA16
17	4,46	4,082	A	$\frac{3}{4}$	1 $\frac{3}{4}$	1 $\frac{15}{16}$	1 $\frac{31}{64}$	3 $\frac{1}{4}$	5,3	PHS 60-1DSA17
18	4,70	4,319	A	$\frac{3}{4}$	1 $\frac{7}{8}$	1 $\frac{15}{16}$	1 $\frac{31}{64}$	3 $\frac{1}{2}$	6,5	PHS 60-1DSA18
19	4,95	4,557	A	$\frac{3}{4}$	2 $\frac{1}{16}$	1 $\frac{15}{16}$	1 $\frac{31}{64}$	3 $\frac{45}{64}$	6,8	PHS 60-1DSA19
20	5,19	4,794	A	$\frac{3}{4}$	2 $\frac{1}{4}$	1 $\frac{15}{16}$	1 $\frac{31}{64}$	3 $\frac{61}{64}$	7,0	PHS 60-1DSA20
21	5,43	5,032	A	$\frac{3}{4}$	2 $\frac{3}{4}$	1 $\frac{15}{16}$	1 $\frac{31}{64}$	4 $\frac{3}{16}$	7,5	PHS 60-1DSA21
22	5,67	5,27	A	$\frac{3}{4}$	2 $\frac{3}{4}$	1 $\frac{15}{16}$	1 $\frac{31}{64}$	4 $\frac{7}{16}$	11,0	PHS 60-1DSA22
23	5,91	5,508	A	$\frac{3}{4}$	2 $\frac{3}{4}$	1 $\frac{15}{16}$	1 $\frac{31}{64}$	4 $\frac{21}{32}$	11,5	PHS 60-1DSA23
24	6,15	5,749	A	$\frac{3}{4}$	2 $\frac{3}{4}$	1 $\frac{15}{16}$	1 $\frac{31}{64}$	4 $\frac{29}{32}$	12,0	PHS 60-1DSA24

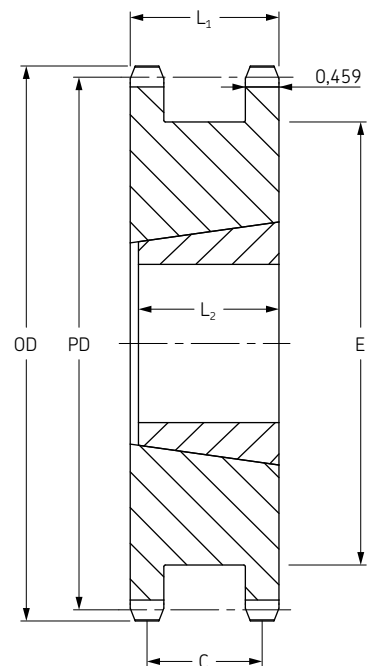


Type A

## Double Simplex Taper Bushed Type A

No. Teeth	Bushing	Diameter		Type	Bore		Dimensions				Weight* lbs	Designation
	Size	Outside	Pitch		Min	Max	L <sub>1</sub>	C	E	L <sub>2</sub>		
	Inch	Inch	Inch		Inch	Inch	Inch	Inch	Inch	Inch		
16	1615	4,22	3,844	A	$\frac{1}{2}$	1 $\frac{5}{8}$	1 $\frac{15}{16}$	1 $\frac{31}{64}$	2 $\frac{63}{64}$	1 $\frac{1}{2}$	4,5	PHS 60-1DSTB16
17	1615	4,46	4,002	A	$\frac{1}{2}$	1 $\frac{5}{8}$	1 $\frac{15}{16}$	1 $\frac{31}{64}$	3 $\frac{7}{32}$	1 $\frac{1}{2}$	4,5	PHS 60-1DSTB17
18	2012	4,70	4,319	A	$\frac{1}{2}$	2	1 $\frac{15}{16}$	1 $\frac{31}{64}$	3 $\frac{15}{32}$	1 $\frac{1}{4}$	5,0	PHS 60-1DSTB18
19	2012	4,95	4,557	A	$\frac{1}{2}$	2	1 $\frac{15}{16}$	1 $\frac{31}{64}$	3 $\frac{45}{64}$	1 $\frac{1}{4}$	5,8	PHS 60-1DSTB19
20	2517	5,19	4,794	A	$\frac{1}{2}$	2 $\frac{1}{2}$	1 $\frac{15}{16}$	1 $\frac{31}{64}$	3 $\frac{61}{64}$	1 $\frac{3}{4}$	5,6	PHS 60-1DSTB20
21	2517	5,43	5,032	A	$\frac{1}{2}$	2 $\frac{1}{2}$	1 $\frac{15}{16}$	1 $\frac{31}{64}$	4 $\frac{3}{16}$	1 $\frac{3}{4}$	6,4	PHS 60-1DSTB21
23	2517	5,91	5,508	A	$\frac{1}{2}$	2 $\frac{1}{2}$	1 $\frac{15}{16}$	1 $\frac{31}{64}$	4 $\frac{43}{64}$	1 $\frac{3}{4}$	7,3	PHS 60-1DSTB23
24	2517	6,15	5,746	A	$\frac{1}{2}$	2 $\frac{1}{2}$	1 $\frac{15}{16}$	1 $\frac{31}{64}$	4 $\frac{29}{32}$	1 $\frac{3}{4}$	8,2	PHS 60-1DSTB24

\* Weight for rim only



Type A Taper Bush



# ANSI Sprockets

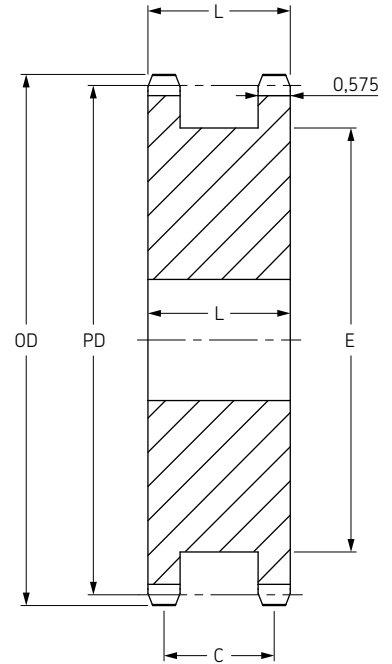
Double Simplex



ANSI 80-1 1" Pitch

## Double Simplex Type A

No. Teeth	Diameter		Type	Bore		Dimensions			Weight lbs	Designation
	Outside	Pitch		Min	Max	L	C	E		
	Inch	Inch		Inch	Inch	Inch	Inch	Inch		
13	4,66	4,18	A	1	2	2 3/16	1 5/8	3 1/64	6,50	PHS 80-1DSA13
14	4,98	4,49	A	1	2 1/4	2 3/16	1 5/8	3 11/32	7,70	PHS 80-1DSA14
15	5,30	4,81	A	1	2 3/8	2 3/16	1 5/8	3 13/16	9,10	PHS 80-1DSA15
16	5,63	5,13	A	1	2 11/16	2 3/16	1 5/8	4	9,50	PHS 80-1DSA16
17	5,95	5,44	A	1	2 13/16	2 3/16	1 5/8	4 5/16	10,80	PHS 80-1DSA17
18	6,27	5,76	A	1	3 1/8	2 3/16	1 5/8	4 41/64	12,10	PHS 80-1DSA18
19	6,59	6,08	A	1	3 1/4	2 3/16	1 5/8	4 61/64	12,80	PHS 80-1DSA19
20	6,91	6,39	A	1	3 1/2	2 3/16	1 5/8	5 9/32	14,00	PHS 80-1DSA20
21	7,24	6,71	A	1	3 3/4	2 3/16	1 5/8	5 19/32	16,50	PHS 80-1DSA21
22	7,56	7,03	A	1	3 7/8	2 3/16	1 5/8	5 59/64	18,40	PHS 80-1DSA22
23	7,88	7,34	A	1	3 7/8	2 3/16	1 5/8	6 15/64	20,50	PHS 80-1DSA23

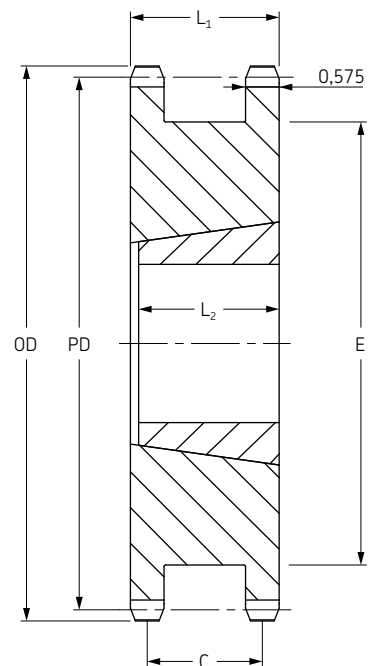


Type A

## Double Simplex Taper Bushed Type A

No. Teeth	Bushing	Diameter		Type	Bore		Dimensions				Weight* lbs	Designation
	Size	Outside	Pitch		Min	Max	L <sub>1</sub>	C	E	L <sub>2</sub>		
	Inch	Inch	Inch		Inch	Inch	Inch	Inch	Inch	Inch		
17	2517	5,95	5,442	A	1/2	2 1/2	2 3/16	1 5/8	4 5/16	1 3/4	7,6	PHS 80-1DSTB17
18	2517	6,27	5,759	A	1/2	2 1/2	2 3/16	1 5/8	4 3/4	1 3/4	8,7	PHS 80-1DSTB18
19	3020	6,59	6,076	A	15/16	3	2 3/16	1 5/8	4 61/64	2	9,7	PHS 80-1DSTB19
20	3020	6,91	6,392	A	15/16	3	2 3/16	1 5/8	5 9/32	2	10,0	PHS 80-1DSTB20
21	3020	7,24	6,710	A	15/16	3	2 3/16	1 5/8	5 19/32	2	12,0	PHS 80-1DSTB21
22	3020	7,56	7,027	A	15/16	3	2 3/16	1 5/8	5 19/32	2	13,0	PHS 80-1DSTB22
23	3020	7,88	7,344	A	15/16	3	2 3/16	1 5/8	6 15/64	2	14,5	PHS 80-1DSTB23

\* Weight for rim only



Type A Taper Bush



# ANSI Sprockets

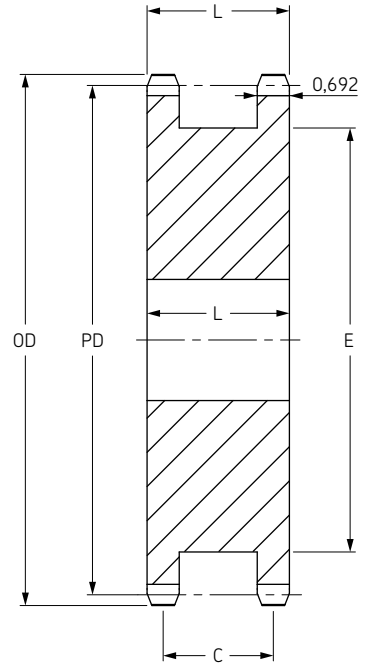
Double Simplex

- ▶ ..... Belts
- ▶ ..... Chains
- ▶ ..... Couplings
- ▶ ..... Bushings and Hubs
- ▶ ..... Sprockets
- ▶ ..... Pulleys
- ▶ ..... Smart tools

ANSI 100-1 1 1/4" Pitch

## Double Simplex Type A

No. Teeth	Diameter		Type	Bore		Dimensions			Weight lbs	Designation
	Outside	Pitch		Min	Max	L	C	E		
	Inch	Inch		Inch	Inch	Inch	Inch	Inch		
13	5,82	5,223	A	1	2 1/2	2 11/16	2	3 25/32	11,20	PHS 100-1DSA13
14	6,23	5,617	A	1 1/4	2 3/4	2 11/16	2	4 3/16	13,50	PHS 100-1DSA14
15	6,63	6,012	A	1 1/4	3 1/16	2 11/16	2	4 19/32	16,80	PHS 100-1DSA15
16	7,03	6,407	A	1 1/4	3 1/4	2 11/16	2	5	19,30	PHS 100-1DSA16
17	7,44	6,803	A	1 1/4	3 5/8	2 11/16	2	5 13/32	21,50	PHS 100-1DSA17
18	7,84	7,198	A	1 1/4	3 3/4	2 11/16	2	5 51/64	23,00	PHS 100-1DSA18
19	8,24	7,595	A	1 1/4	4 3/16	2 11/16	2	6 13/64	25,00	PHS 100-1DSA19
20	8,64	7,991	A	1 1/4	4 3/16	2 11/16	2	6 39/64	26,50	PHS 100-1DSA20
21	9,04	8,387	A	1 1/4	5 1/4	2 11/16	2	7	29,00	PHS 100-1DSA21

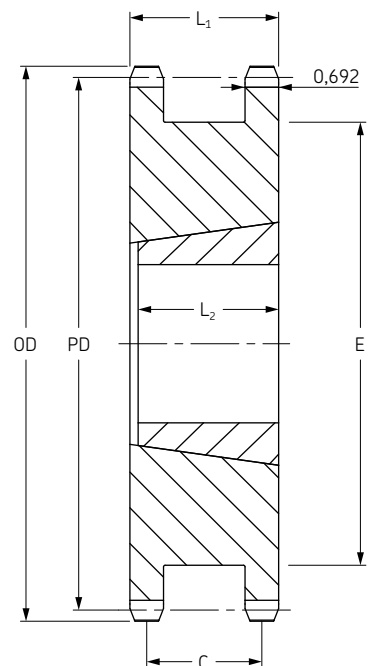


Type A

## Double Simplex Taper Bushed Type A

No. Teeth	Bushing	Diameter		Type	Bore		Dimensions				Weight* lbs	Designation
	Size	Outside	Pitch		Min	Max	L <sub>1</sub>	C	E	L <sub>2</sub>		
	Inch	Inch	Inch		Inch	Inch	Inch	Inch	Inch	Inch		
15	2517	6,63	6,012	A	3/4	2 1/2	2 11/16	2	4 19/32	1 3/4	12,5	PHS 100-1DSTB15
16	2517	7,03	6,407	A	3/4	2 1/2	2 11/16	2	5	1 3/4	13,0	PHS 100-1DSTB16
17	3020	7,44	6,803	A	15/16	3	2 11/16	2	5 13/32	2	14,0	PHS 100-1DSTB17
18	3020	7,84	7,198	A	15/16	3	2 11/16	2	5 51/64	2	16,0	PHS 100-1DSTB18
19	3020	8,24	7,595	A	15/16	3	2 11/16	2	6 13/64	2	20,0	PHS 100-1DSTB19
20	3020	8,64	7,991	A	15/16	3	2 11/16	2	6 39/64	1 3/4	27,5	PHS 100-1DSTB20
21	3020	9,04	8,387	A	15/16	3	2 11/16	2	7	2	27,5	PHS 100-1DSTB21

\* Weight for rim only



Type A Taper Bush



# ANSI Sprockets

Double Simplex



## ANSI 120-1 1 1/2" Pitch

### Double Simplex Type A

No. Teeth	Diameters		Type	Bore		Dimensions			Weight lbs	Designation
	Outside	Pitch		Min	Max	L	H	E		
	Inch	Inch		Inch	Inch	Inch	Inch	Inch		
15	7,960	7,215	A	1 7/16	3 3/4	3 11/32	2 7/16	5 1/2	30,0	PHS 120-1DSA15
16	8,440	7,689	A	1 7/16	4	3 11/32	2 7/16	6	34,0	PHS 120-1DSA16
17	8,920	8,163	A	1 7/16	4 7/16	3 11/32	2 7/16	6 31/64	37,0	PHS 120-1DSA17
18	9,410	8,638	A	1 7/16	5 3/16	3 11/32	2 7/16	6 31/64	42,0	PHS 120-1DSA18
19	9,890	9,113	A	1 7/16	5 1/2	3 11/32	2 7/16	7 29/64	47,0	PHS 120-1DSA19
20	10,370	9,589	A	1 7/16	5 15/16	3 11/32	2 7/16	7 15/16	51,0	PHS 120-1DSA20

## ANSI 140-1 1 3/4" Pitch

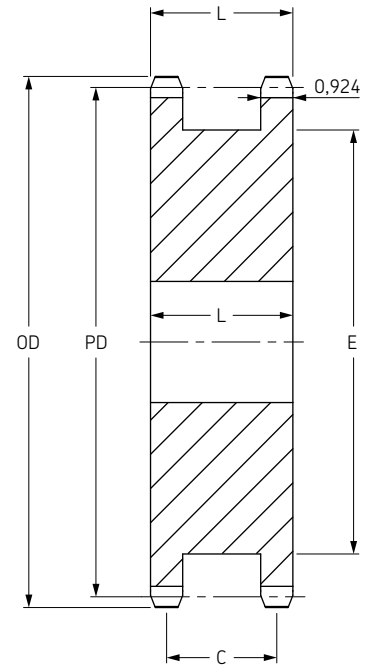
### Double Simplex Type A

No. Teeth	Diameters		Type	Bore		Dimensions			Weight lbs	Designation
	Outside	Pitch		Min	Max	L	H	E		
	Inch	Inch		Inch	Inch	Inch	Inch	Inch		
14	8,720	7,864	A	1 7/16	3 7/8	3 39/64	2 11/16	5 7/8	35,0	PHS 140-1DSA14
15	9,280	8,417	A	1 7/16	4 7/16	3 39/64	2 11/16	6 29/64	43,0	PHS 140-1DSA15
16	9,850	8,970	A	1 7/16	5 1/4	3 39/64	2 11/16	7 1/64	49,0	PHS 140-1DSA16
17	10,410	9,524	A	1 7/16	5 9/16	3 39/64	2 11/16	7 37/64	58,0	PHS 140-1DSA17
18	10,980	10,078	A	1 7/16	6 1/8	3 39/64	2 11/16	8 9/64	66,0	PHS 140-1DSA18

## ANSI 160-1 2" Pitch

### Double Simplex Type A

No. Teeth	Diameters		Type	Bore		Dimensions			Weight lbs	Designation
	Outside	Pitch		Min	Max	L	H	E		
	Inch	Inch		Inch	Inch	Inch	Inch	Inch		
15	10,609	9,620	A	1 11/16	5 1/2	4 1/4	3 3/32	7 3/8	69,0	PHS 160-1DSA15
16	11,255	10,252	A	1 11/16	6	4 1/4	3 3/32	8 1/64	75,0	PHS 160-1DSA16
17	11,899	10,885	A	1 11/16	6 1/2	4 1/4	3 3/32	8 21/32	92,0	PHS 160-1DSA17
18	12,543	11,518	A	1 11/16	6 13/16	4 1/4	3 3/32	9 5/16	97,0	PHS 160-1DSA18



Type A



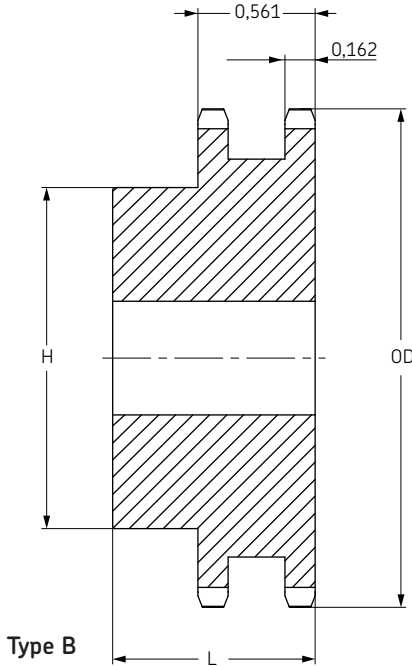


# ANSI Sprockets

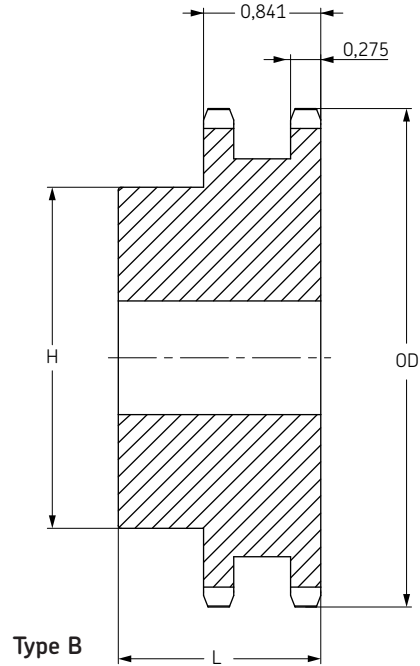
Duplex  
Pilot Bore

- ▶ ..... Belts
- ▶ ..... Chains
- ▶ ..... Couplings
- ▶ ..... Bushings and Hubs
- ▶ ..... Sprockets
- ▶ ..... Pulleys
- ▶ ..... Smart tools

## ANSI 35-2 3/8" Pitch



## ANSI 40-2 1/2" Pitch



### Pilot Bore Type B

No. Teeth	Outside Diameter	Type	Bore		Hub		Weight lbs	Designation
			Min	Max	H	L		
	Inch		Inch	Inch	Inch	Inch		
12	1.63	B	1/2	9/16	63/64	1 1/4	0.32	PHS 35-2B12
13	1.75	B	1/2	11/16	1 7/64	1 1/4	0.36	PHS 35-2B13
14	1.87	B	1/2	7/8	1 1/4	1 1/4	0.44	PHS 35-2B14
15	1.99	B	1/2	15/16	1 13/32	1 1/4	0.56	PHS 35-2B15
16	2.11	B	1/2	15/16	1 15/32	1 1/4	0.64	PHS 35-2B16
17	2.23	B	1/2	11/16	1 19/32	1 1/4	0.74	PHS 35-2B17
18	2.35	B	1/2	13/16	1 23/32	1 1/4	0.84	PHS 35-2B18
19	2.47	B	1/2	15/16	1 7/8	1 1/4	0.96	PHS 35-2B19
20	2.59	B	3/4	15/16	1 15/16	1 3/8	1.08	PHS 35-2B20
21	2.71	B	3/4	1 3/8	2 1/16	1 3/8	1.24	PHS 35-2B21
22	2.83	B	3/4	1 7/16	2 3/16	1 3/8	1.42	PHS 35-2B22
23	2.95	B	3/4	1 1/2	2 1/4	1 3/8	1.54	PHS 35-2B23
24	3.07	B	3/4	1 1/2	2 1/4	1 3/8	1.62	PHS 35-2B24
25	3.19	B	3/4	1 1/2	2 1/4	1 3/8	1.66	PHS 35-2B25
26	3.31	B	3/4	1 3/4	2 1/2	1 3/8	1.98	PHS 35-2B26
30	3.79	B	3/4	1 3/4	2 1/2	1 3/8	2.34	PHS 35-2B30
36	4.51	B	3/4	1 3/4	2 1/2	1 3/8	3.00	PHS 35-2B36
42	5.23	B	3/4	1 3/4	2 1/2	1 3/8	3.80	PHS 35-2B42
48	5.95	B	3/4	1 3/4	2 1/2	1 3/8	4.66	PHS 35-2B48
52	6.43	B	3/4	1 3/4	2 1/2	1 3/8	5.40	PHS 35-2B52
60	7.38	B	3/4	1 3/4	2 1/2	1 3/8	6.84	PHS 35-2B60
68	8.34	B	3/4	2 3/8	3 1/2	1 1/2	10.01	PHS 35-2B68
72	8.81	B	3/4	2 3/8	3 1/2	1 1/2	11.04	PHS 35-2B72
76	9.29	B	3/4	2 3/8	3 1/2	1 1/2	11.94	PHS 35-2B76
84	10.25	B	3/4	2 3/8	3 1/2	1 1/2	14.98	PHS 35-2B84
95	11.56	B	1	2 3/8	3 1/2	1 1/2	17.42	PHS 35-2B95
96	11.68	B	1	2 3/8	3 1/2	1 1/2	18.14	PHS 35-2B96
102	12.40	B	1	2 3/8	3 1/2	1 1/2	19.92	PHS 35-2B102

Maximum bores can accommodate standard keyways. Larger bores are available where a shallow keyway is used or no keyway is required.

### Pilot Bore Type B

No. Teeth	Outside Diameter	Type	Bore		Hub		Weight lbs	Designation
			Min	Max	H	L		
	Inch		Inch	Inch	Inch	Inch		
11	2.00	B	1/2	3/4	1 7/16	1 1/2	0.62	PHS 40-2B11
12	2.17	B	1/2	15/16	1 9/16	1 1/2	0.76	PHS 40-2B12
13	2.33	B	1/2	1	1 1/2	1 1/2	0.86	PHS 40-2B13
14	2.49	B	1/2	1 1/8	1 11/16	1 1/2	1.08	PHS 40-2B14
15	2.65	B	1/2	1 1/4	1 13/16	1 1/2	1.24	PHS 40-2B15
16	2.81	B	5/8	1 3/8	2	1 1/2	1.42	PHS 40-2B16
17	2.98	B	5/8	1 7/16	2 1/8	1 1/2	1.64	PHS 40-2B17
18	3.14	B	5/8	1 1/2	2 5/16	1 1/2	1.92	PHS 40-2B18
19	3.30	B	5/8	1 3/4	2 1/2	1 1/2	2.22	PHS 40-2B19
20	3.46	B	5/8	1 7/8	2 5/8	1 1/2	2.64	PHS 40-2B20
21	3.62	B	5/8	1 7/8	2 3/4	1 5/8	2.94	PHS 40-2B21
22	3.78	B	5/8	1 7/8	2 7/8	1 5/8	3.18	PHS 40-2B22
23	3.94	B	5/8	2	3	1 5/8	3.52	PHS 40-2B23
24	4.10	B	5/8	2 1/4	3 1/4	1 5/8	4.04	PHS 40-2B24
25	4.26	B	5/8	2 1/4	3 1/4	1 5/8	4.26	PHS 40-2B25
26	4.42	B	5/8	2 1/4	3 1/4	1 5/8	4.48	PHS 40-2B26
30	5.06	B	7/8	2 1/4	3 1/4	1 5/8	5.34	PHS 40-2B30
35	5.86	B	7/8	2 1/4	3 1/4	1 5/8	6.80	PHS 40-2B35
36	6.02	B	15/16	2 1/2	3 3/4	1 5/8	7.20	PHS 40-2B36
40	6.65	B	15/16	2 1/2	3 3/4	1 3/4	9.40	PHS 40-2B40
42	6.97	B	15/16	2 1/2	3 3/4	1 3/4	10.20	PHS 40-2B42
45	7.45	B	15/16	2 1/2	3 3/4	1 3/4	11.36	PHS 40-2B45
48	7.93	B	15/16	2 1/2	3 3/4	1 3/4	12.66	PHS 40-2B48
52	8.57	B	15/16	2 1/2	3 3/4	1 3/4	14.46	PHS 40-2B52
54	8.89	B	15/16	2 1/2	3 3/4	1 3/4	15.48	PHS 40-2B54
60	9.84	B	15/16	2 1/2	3 3/4	1 3/4	18.60	PHS 40-2B60
68	11.12	B	1 3/16	2 3/4	4 1/4	2 1/8	24.96	PHS 40-2B68
72	11.75	B	1 3/16	2 3/4	4 1/4	2 1/8	27.88	PHS 40-2B72
76	12.39	B	1 3/16	2 3/4	4 1/4	2 1/8	30.18	PHS 40-2B76
84	13.66	B	1 3/16	2 3/4	4 1/4	2 1/8	36.24	PHS 40-2B84
95	15.41	B	1 3/16	2 3/4	4 1/4	2 1/8	38.84	PHS 40-2B95
96	15.57	B	1 3/16	2 3/4	4 1/4	2 1/8	39.50	PHS 40-2B96
102	16.53	B	1 3/16	2 3/4	4 1/4	2 1/8	42.72	PHS 40-2B102
112	18.12	B	1 3/16	2 3/4	4 1/4	2 1/8	55.54	PHS 40-2B112

Maximum bores can accommodate standard keyways. Larger bores are available where a shallow keyway is used or no keyway is required.

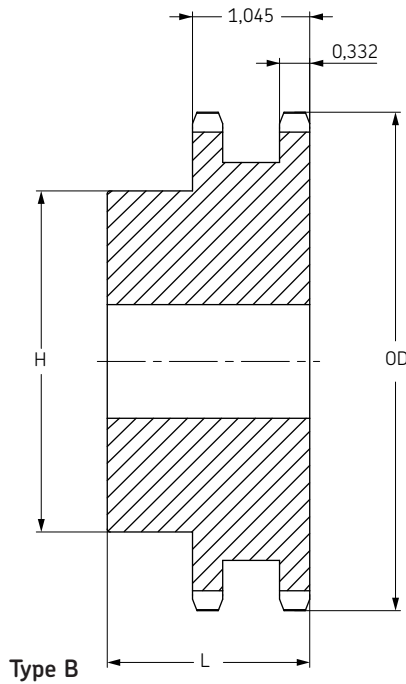


# ANSI Sprockets

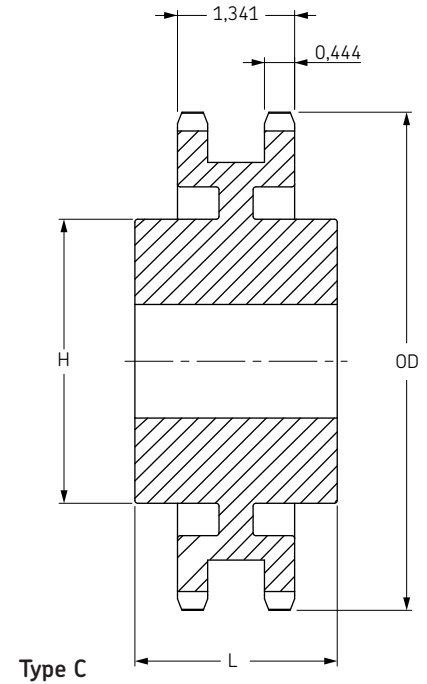
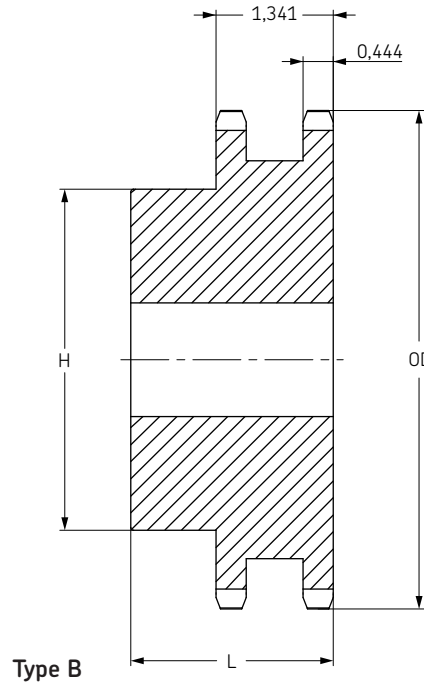
Duplex  
Pilot Bore



ANSI 50-2 5/8" Pitch



ANSI 60-2 3/4" Pitch



Pilot Bore Type B

No. Teeth	Outside Diameter	Type	Bore		Hub		Weight lbs	Designation
			Min	Max	H	L		
			Inch	Inch	Inch	Inch		
11	2,50	B	5/8	15/16	1 15/32	1 3/4	0,96	PHS 50-2B11
12	2,71	B	5/8	1 1/8	1 11/16	1 3/4	1,25	PHS 50-2B12
13	2,91	B	5/8	1 5/16	1 7/8	1 3/4	1,56	PHS 50-2B13
14	3,11	B	5/8	1 3/8	2 1/16	1 3/4	1,86	PHS 50-2B14
15	3,32	B	3/4	1 1/2	2 5/16	1 3/4	2,22	PHS 50-2B15
16	3,52	B	3/4	1 3/4	2 1/2	1 3/4	2,62	PHS 50-2B16
17	3,72	B	3/4	1 7/8	2 11/16	1 3/4	3,04	PHS 50-2B17
18	3,92	B	3/4	1 15/16	2 15/16	1 3/4	3,58	PHS 50-2B18
19	4,12	B	1	2 1/8	3 1/8	1 3/4	3,90	PHS 50-2B19
20	4,32	B	1	2 1/4	3 1/4	1 3/4	4,26	PHS 50-2B20
21	4,52	B	1	2 3/8	3 1/2	1 3/4	4,90	PHS 50-2B21
22	4,72	B	1	2 3/8	3 9/16	1 7/8	5,58	PHS 50-2B22
23	4,92	B	1	2 1/2	3 5/8	1 7/8	6,10	PHS 50-2B23
24	5,12	B	1	2 1/2	3 5/8	1 7/8	6,50	PHS 50-2B24
25	5,32	B	1	2 1/2	3 5/8	1 7/8	6,94	PHS 50-2B25
26	5,52	B	1	2 1/2	3 3/4	1 7/8	7,54	PHS 50-2B26
30	6,32	B	1	2 1/2	3 3/4	1 7/8	9,40	PHS 50-2B30
32	6,72	B	1	2 1/2	3 3/4	1 7/8	10,46	PHS 50-2B32
35	7,32	B	1	2 1/2	3 3/4	1 7/8	12,28	PHS 50-2B35
36	7,52	B	1 3/16	2 3/4	4	2 1/8	13,94	PHS 50-2B36
40	8,32	B	1 3/16	2 3/4	4	2 1/8	16,54	PHS 50-2B40
42	8,72	B	1 3/16	2 3/4	4	2 1/8	17,92	PHS 50-2B42
45	9,31	B	1 3/16	2 3/4	4	2 1/8	20,30	PHS 50-2B45
48	9,91	B	1 3/16	2 3/4	4 1/4	2 3/8	24,08	PHS 50-2B48
52	10,71	B	1 3/16	2 3/4	4 1/4	2 3/8	27,42	PHS 50-2B52
54	11,11	B	1 3/16	2 3/4	4 1/4	2 3/8	29,16	PHS 50-2B54
60	12,30	B	1 5/16	3	4 1/2	2 3/8	35,88	PHS 50-2B60
68	13,89	B	1 5/16	3	4 1/2	2 3/8	44,98	PHS 50-2B68
72	14,69	B	1 5/16	3	4 1/2	2 3/8	50,22	PHS 50-2B72
76	15,49	B	1 5/16	3	4 1/2	2 3/8	45,64	PHS 50-2B76
84	17,08	B	1 5/16	3	4 1/2	2 3/8	51,64	PHS 50-2B84
95	19,27	B	1 5/16	3	4 1/2	2 3/8	64,32	PHS 50-2B95
96	19,47	B	1 5/16	3	4 1/2	2 3/8	67,42	PHS 50-2B96
102	20,66	B	1 5/16	3	4 1/2	2 3/8	72,68	PHS 50-2B102
112	22,65	B	1 5/16	3 5/16	5 1/4	2 3/8	90,22	PHS 50-2B112

Maximum bores can accommodate standard keyways. Larger bores are available where a shallow keyway is used or no keyway is required.

Pilot Bore Type B

No. Teeth	Outside Diameter	Type	Bore		Hub		Weight lbs	Destination
			Min	Max	H	L		
			Inch	Inch	Inch	Inch		
11	3,00	B	1	1 1/4	1 13/16	2 1/8	1,62	PHS 60-2B11
12	3,25	B	1	1 7/16	2 1/8	2 1/8	2,20	PHS 60-2B12
13	3,49	B	1	1 1/2	2 1/4	2 1/8	2,60	PHS 60-2B13
14	3,74	B	1	1 3/4	2 1/2	2 1/8	3,24	PHS 60-2B14
15	3,98	B	1	1 7/8	2 13/16	2 1/8	3,96	PHS 60-2B15
16	4,22	B	1	2	3	2 1/8	4,62	PHS 60-2B16
17	4,46	B	1	2 1/4	3 1/4	2 1/8	5,40	PHS 60-2B17
18	4,70	B	1	2 3/8	3 1/2	2 1/8	6,24	PHS 60-2B18
19	4,95	B	1	2 1/2	3 11/16	2 1/8	7,00	PHS 60-2B19
20	5,19	B	1	2 1/2	3 3/4	2 1/8	7,72	PHS 60-2B20
21	5,43	B	1	2 3/4	4 1/8	2 1/8	8,82	PHS 60-2B21
22	5,67	B	1	2 3/4	4 1/4	2 1/8	9,68	PHS 60-2B22
23	5,91	B	1	2 3/4	4 1/4	2 1/8	10,30	PHS 60-2B23
24	6,15	B	1	2 3/4	4 1/4	2 1/8	11,14	PHS 60-2B24
25	6,39	B	1	2 3/4	4 1/4	2 1/8	11,96	PHS 60-2B25
26	6,63	B	1	2 3/4	4 1/4	2 1/8	12,70	PHS 60-2B26
30	7,59	B	1	2 3/4	4 1/4	2 1/8	16,36	PHS 60-2B30
32	8,07	B	1 1/4	3	4 1/2	2 3/8	19,52	PHS 60-2B32
35	8,78	B	1 1/4	3	4 1/2	2 3/8	22,80	PHS 60-2B35
36	9,02	B	1 1/4	3	4 1/2	2 3/8	23,82	PHS 60-2B36
40	9,98	B	1 1/4	3 1/4	4 3/4	2 3/4	30,84	PHS 60-2B40
42	10,46	B	1 1/4	3 1/4	4 3/4	2 3/4	33,08	PHS 60-2B42
45	11,18	B	1 1/4	3 1/4	4 3/4	2 3/4	37,08	PHS 60-2B45
52	12,85	B	1 1/4	3 1/4	4 3/4	2 3/4	48,70	PHS 60-2B52
60	14,76	B	1 1/4	3 1/4	4 3/4	2 3/4	63,10	PHS 60-2B60
68	16,67	C	1 1/4	3 5/16	5	3	53,68	PHS 60-2C68
72	17,63	C	1 1/4	3 5/16	5	3	53,74	PHS 60-2C72
76	18,58	C	1 1/4	3 5/16	5	3	60,28	PHS 60-2C76
95	23,12	C	1 1/4	3 3/4	5 1/2	3 1/2	87,14	PHS 60-2C95

Maximum bores can accommodate standard keyways. Larger bores are available where a shallow keyway is used or no keyway is required.

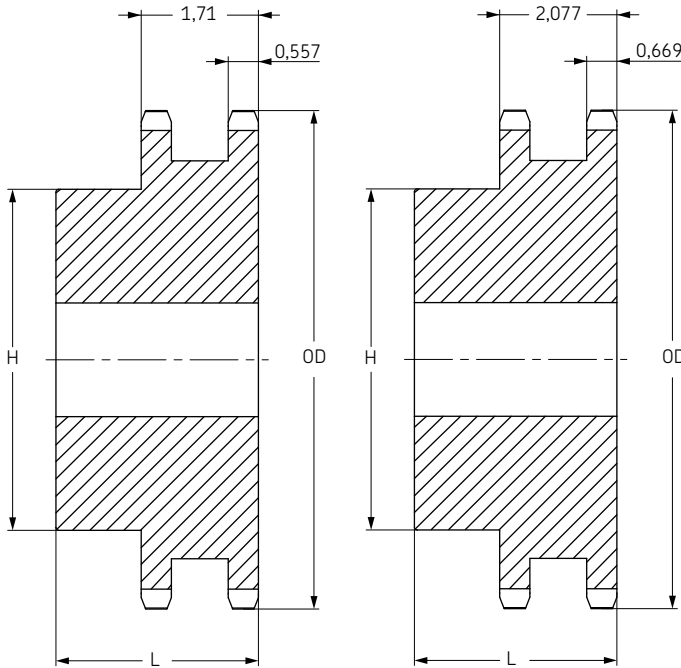


# ANSI Sprockets

Duplex  
Pilot Bore

- ▶ ..... Belts
- ▶ ..... Chains
- ▶ ..... Couplings
- ▶ ..... Bushings and Hubs
- ▶ ..... Sprockets
- ▶ ..... Pulleys
- ▶ ..... Smart tools

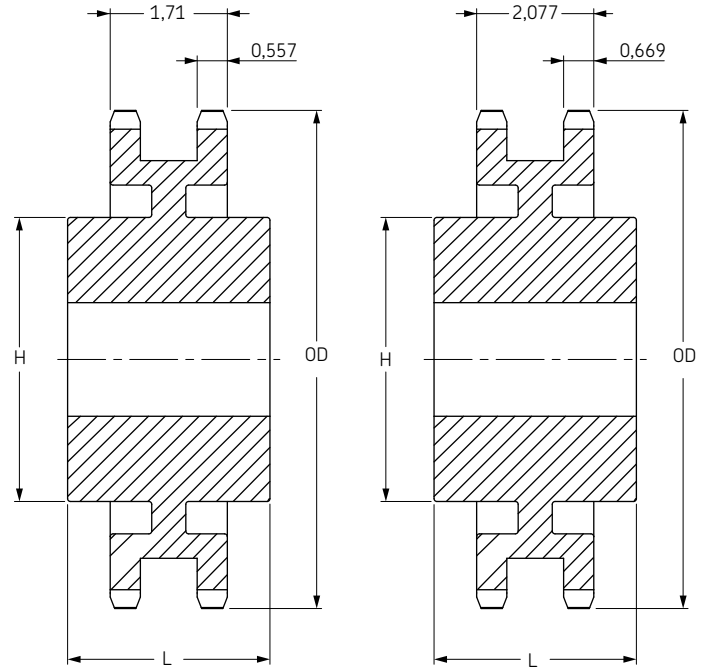
## ANSI 80-2 1" Pitch



Type B

Type B

## ANSI 100-2 1/4" Pitch



Type C

Type C

## Pilot Bore Type B

No. Teeth	Outside Diameter	Type	Bore		Hub		Weight lbs	Designation
			Min	Max	H	L		
	Inch		Inch	Inch	Inch	Inch		
10	3,68	B	1	1 1/2	2 9/16	2 3/4	3,6	PHS 80-2B10
11	4,01	B	1	1 3/4	2 1/2	2 1/2	4,0	PHS 80-2B11
12	4,33	B	1	1 7/8	2 27/32	2 1/2	5,1	PHS 80-2B12
13	4,66	B	1	2 1/4	3 5/32	2 1/2	6,3	PHS 80-2B13
14	4,98	B	1	2 3/8	3 15/32	2 1/2	7,6	PHS 80-2B14
15	5,30	B	1	2 1/2	3 51/64	2 1/2	9,0	PHS 80-2B15
16	5,63	B	1	2 3/4	4	2 3/4	11,0	PHS 80-2B16
17	5,95	B	1	3	4 27/64	2 3/4	13,2	PHS 80-2B17
18	6,27	B	1	3 1/4	4 47/64	2 3/4	15,0	PHS 80-2B18
19	6,59	B	1	3 5/16	5	2 3/4	17,0	PHS 80-2B19
20	6,91	B	1	3 5/16	5	2 3/4	18,2	PHS 80-2B20
21	7,24	B	1	3 5/16	5	2 3/4	19,6	PHS 80-2B21
22	7,56	B	1	3 5/16	5	2 3/4	21,0	PHS 80-2B22
23	7,88	B	1	3 5/16	5	2 3/4	22,8	PHS 80-2B23
24	8,20	B	1	3 1/2	5 1/4	2 3/4	25,1	PHS 80-2B24
25	8,52	B	1	3 1/2	5 1/4	3	28,3	PHS 80-2B25
26	8,84	B	1	3 1/2	5 1/4	3	29,9	PHS 80-2B26
30	10,11	B	1 1/4	3 3/4	5 3/4	3	39,5	PHS 80-2B30
32	10,75	B	1 1/4	3 3/4	5 3/4	3	43,8	PHS 80-2B32
35	11,71	B	1 1/4	3 3/4	5 3/4	3	49,1	PHS 80-2B35
36	12,03	B	1 1/4	3 3/4	5 3/4	3 1/8	54,2	PHS 80-2B36
42	13,94	B	1 1/4	3 3/4	5 3/4	3 1/8	71,5	PHS 80-2B42
45	14,90	B	1 1/4	3 3/4	5 3/4	3 1/8	73,5	PHS 80-2B45
52	17,13	C	1 1/2	3 3/4	5 3/4	3 3/4	78,4	PHS 80-2C52
60	19,68	C	1 1/2	3 3/4	5 3/4	3 3/4	93,3	PHS 80-2C60
68	22,23	C	1 1/2	3 13/16	6	4	96,2	PHS 80-2C68
76	24,78	C	1 1/2	3 13/16	6	4	113,0	PHS 80-2C76
95	30,83	C	1 1/2	4	6	4 1/4	165,0	PHS 80-2C95

Maximum bores can accommodate standard keyways. Larger bores are available where a shallow keyway is used or no keyway is required.

## Pilot Bore Type B

No. Teeth	Outside Diameter	Type	Bore		Hub		Weight lbs	Designation
			Min	Max	H	L		
	Inch		Inch	Inch	Inch	Inch		
9	4,18	B	1	1 5/8	2 3/8	2 7/8	4,6	PHS 100-2B9
10	4,60	B	1	1 7/8	2 3/4	2 7/8	6,2	PHS 100-2B10
11	5,01	B	1	2 1/8	3 1/8	2 7/8	7,9	PHS 100-2B11
12	5,42	B	1 1/8	2 1/4	3 3/8	2 7/8	9,3	PHS 100-2B12
13	5,82	B	1 1/8	2 1/2	3 13/16	2 7/8	11,4	PHS 100-2B13
14	6,23	B	1 1/8	2 3/4	4 3/16	2 7/8	13,6	PHS 100-2B14
15	6,63	B	1 1/4	3 1/8	4 5/8	3 1/8	17,1	PHS 100-2B15
16	7,03	B	1 1/4	3 5/16	5	3 1/8	20,1	PHS 100-2B16
17	7,44	B	1 1/4	3 1/2	5 1/4	3 1/8	23,1	PHS 100-2B17
18	7,84	B	1 1/4	3 1/2	5 1/4	3 1/8	25,4	PHS 100-2B18
19	8,24	B	1 1/4	3 3/4	5 1/2	3 3/8	29,6	PHS 100-2B19
20	8,64	B	1 1/4	3 3/4	5 1/2	3 3/8	32,4	PHS 100-2B20
21	9,04	B	1 1/4	3 3/4	5 1/2	3 3/8	35,3	PHS 100-2B21
22	9,44	B	1 1/4	3 3/4	5 1/2	3 3/8	38,4	PHS 100-2B22
23	9,84	B	1 1/4	3 3/4	5 1/2	3 3/8	41,3	PHS 100-2B23
24	10,25	B	1 1/4	3 3/4	5 3/4	3 3/8	45,1	PHS 100-2B24
25	10,65	B	1 1/4	3 3/4	5 3/4	3 3/8	48,5	PHS 100-2B25
26	11,05	B	1 1/2	3 3/4	5 3/4	3 3/8	51,5	PHS 100-2B26
30	12,64	B	1 1/2	3 3/4	5 3/4	3 3/8	65,0	PHS 100-2B30
35	14,64	C	1 1/2	3 13/16	6	4 1/4	75,0	PHS 100-2C35
45	18,63	C	1 1/2	3 13/16	6	4 1/2	103,0	PHS 100-2C45
60	24,60	C	1 1/2	5 3/8	7 1/2	5	175,0	PHS 100-2C60
70	28,58	C	1 1/2	5 3/8	7 1/2	5	197,0	PHS 100-2C70
80	32,57	C	1 1/2	5 3/8	7 1/2	5	231,0	PHS 100-2C80

Maximum bores can accommodate standard keyways. Larger bores are available where a shallow keyway is used or no keyway is required.

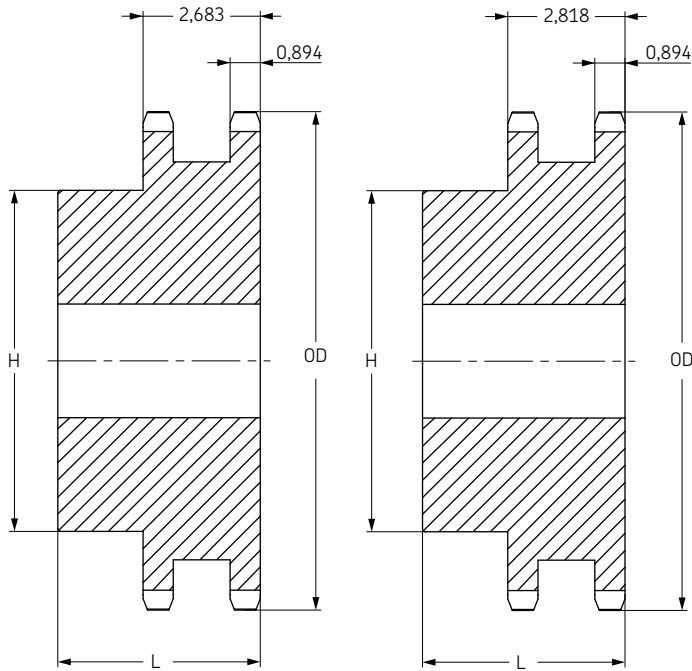


# ANSI Sprockets

Duplex  
Pilot Bore



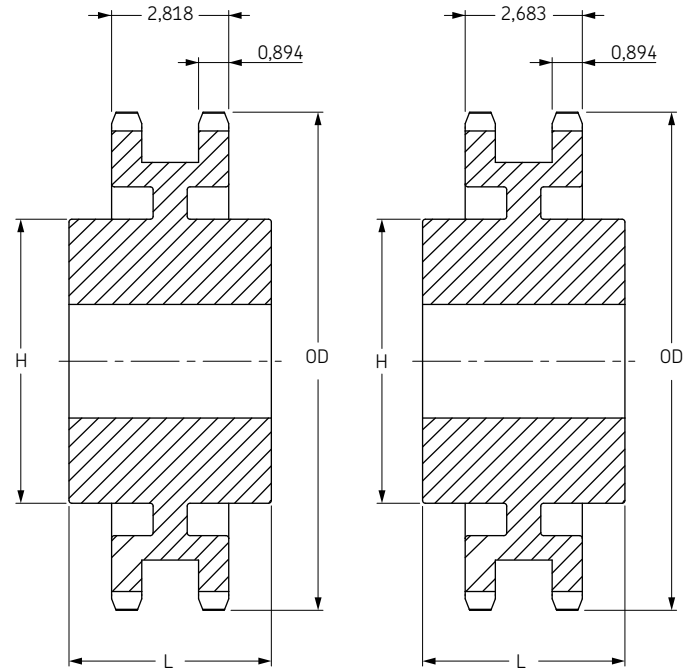
## ANSI 120-2 1 1/2" Pitch



Type B

Type B

## ANSI 140-2 1 3/4" Pitch



Type C

Type C

### Pilot Bore Type B

No. Teeth	Outside Diameter	Type	Bore		Hub		Weight lbs	Designation
			Min	Max	H	L		
	Inch		Inch	Inch	Inch	Inch		
11	6,01	B	1 1/2	2 3/8	3 9/16	3 3/4	13,6	PHS 120-2B11
12	6,50	B	1 1/2	2 3/4	4 1/16	3 3/4	17,3	PHS 120-2B12
13	6,99	B	1 1/2	3	4 1/2	3 3/4	21,1	PHS 120-2B13
14	7,47	B	1 1/2	3 5/16	5	3 3/4	25,6	PHS 120-2B14
15	7,96	B	1 1/2	3 1/2	5 1/4	3 3/4	29,9	PHS 120-2B15
16	8,44	B	1 1/2	3 3/2	5 1/4	3 3/4	33,8	PHS 120-2B16
17	8,92	B	1 1/2	3 1/2	5 1/4	3 3/4	36,9	PHS 120-2B17
18	9,41	B	1 1/2	3 1/2	5 1/4	3 3/4	41,9	PHS 120-2B18
19	9,89	B	1 1/2	3 1/2	5 1/4	3 3/4	46,5	PHS 120-2B19
20	10,37	B	1 1/2	3 1/2	5 1/2	3 3/4	50,2	PHS 120-2B20
21	10,85	B	1 1/2	3 1/2	5 1/2	3 3/4	55,6	PHS 120-2B21
22	11,33	B	1 1/2	3 13/16	5 3/4	4	64,0	PHS 120-2B22
23	11,81	B	1 1/2	4 1/2	6 1/2	4	75,0	PHS 120-2B23
24	12,29	B	1 1/2	4 1/2	6 1/2	4	79,0	PHS 120-2B24
25	12,77	B	1 1/2	4 1/2	6 1/2	4	84,0	PHS 120-2B25
26	13,25	B	1 1/2	4 1/2	6 1/2	4	90,0	PHS 120-2B26
30	15,17	B	1 1/2	4 1/2	6 1/2	4	119,0	PHS 120-2B30
35	17,57	C	1 1/2	5 3/8	7 1/2	6	148,0	PHS 120-2C35
45	22,35	C	1 1/2	5 3/8	7 1/2	6	188,0	PHS 120-2C45
60	29,52	C	1 1/2	6 3/8	9 1/2	6 1/4	307,0	PHS 120-2C60

Maximum bores can accommodate standard keyways. Larger bores are available where a shallow keyway is used or no keyway is required.

### Pilot Bore Type B

No. Teeth	Outside Diameter	Type	Bore		Hub		Weight lbs	Designation
			Min	Max	H	L		
	Inch		Inch	Inch	Inch	Inch		
13	8,15	B	1 5/8	3 5/16	5	3 3/4	29,0	PHS 140-2B13
14	8,72	B	1 5/8	3 3/4	5 1/2	3 3/4	34,8	PHS 140-2B14
15	9,28	B	1 5/8	4 1/2	6 1/2	3 3/4	42,5	PHS 140-2B15
16	9,85	B	1 5/8	5 1/4	7	4	48,1	PHS 140-2B16
17	10,41	B	1 5/8	5 1/4	7	4	57,5	PHS 140-2B17
18	10,98	B	1 3/4	5 1/4	7	4	65,6	PHS 140-2B18
19	11,54	B	1 3/4	5 1/4	7	4	72,0	PHS 140-2B19
20	12,10	B	1 3/4	5 1/4	7	4	76,0	PHS 140-2B20
21	12,66	B	1 3/4	5 1/4	7	4	82,0	PHS 140-2B21
22	13,22	B	1 3/4	5 1/4	7	4	94,0	PHS 140-2B22
23	13,78	B	1 3/4	5 1/4	7	4	100,0	PHS 140-2B23
24	14,34	B	1 3/4	5 1/4	7	4	104,0	PHS 140-2B24
25	14,90	B	1 3/4	5 1/4	7	4	120,0	PHS 140-2B25
26	15,46	B	1 3/4	5 1/4	7	4	128,0	PHS 140-2B26
35	20,49	C	1 1/2	5 3/8	7 1/2	6	180,0	PHS 140-2C35
45	26,08	C	1 1/2	5 3/8	7 1/2	6	232,0	PHS 140-2C45
60	34,44	C	1 1/2	6 3/8	9 1/2	6 1/4	372,0	PHS 140-2C60

Maximum bores can accommodate standard keyways. Larger bores are available where a shallow keyway is used or no keyway is required.

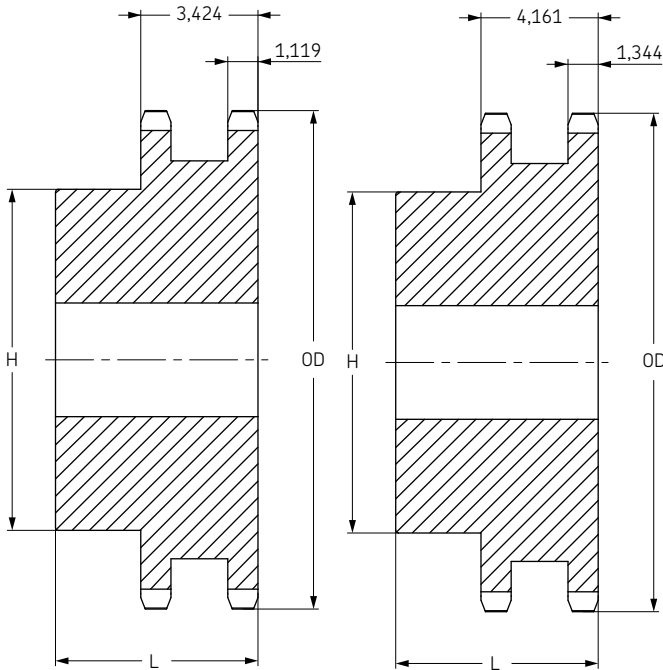


# ANSI Sprockets

Duplex  
Pilot Bore

- ▶ ..... Belts
- ▶ ..... Chains
- ▶ ..... Couplings
- ▶ ..... Bushings and Hubs
- ▶ ..... Sprockets
- ▶ ..... Pulleys
- ▶ ..... Smart tools

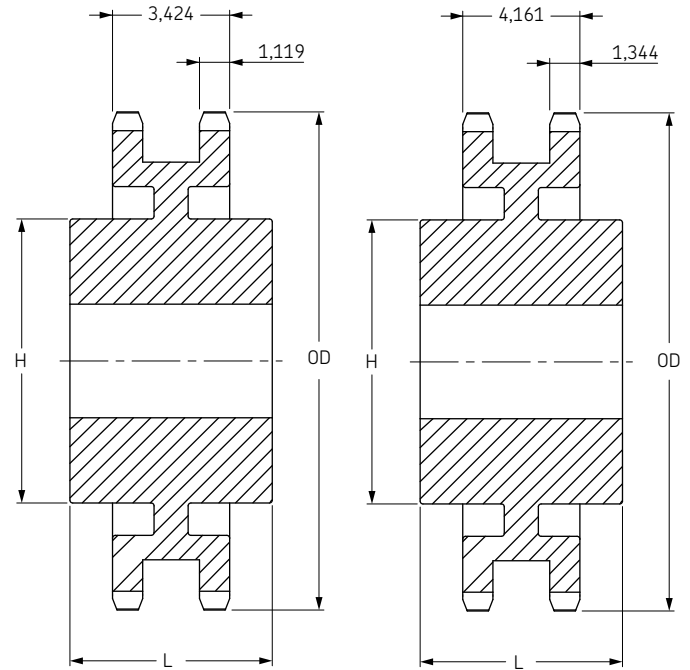
## ANSI 160-2 2" Pitch



Type B

Type B

## ANSI 200-2 2 1/2" Pitch



Type C

Type C

### Pilot Bore Type B

No. Teeth	Outside Diameter	Type	Bore		Hub		Weight lbs	Designation
			Min	Max	H	L		
	Inch		Inch	Inch	Inch	Inch		
13	9,31	B	2	4	6	4 3/4	48	PHS 160-2B13
14	9,96	B	2	4 3/4	6 3/4	4 3/4	58	PHS 160-2B14
15	10,61	B	2	5 1/4	7	4 3/4	68	PHS 160-2B15
16	11,26	B	2	5 1/4	7	4 3/4	75	PHS 160-2B16
17	11,90	B	2	5 1/4	7	4 3/4	91	PHS 160-2B17
18	12,54	B	2	5 1/4	7	4 3/4	96	PHS 160-2B18
19	13,19	B	2	5 1/4	7	4 3/4	107	PHS 160-2B19
20	13,83	B	2	5 1/4	7	4 3/4	119	PHS 160-2B20
21	14,47	B	2	5 3/8	7 1/2	4 3/4	130	PHS 160-2B21
22	15,11	B	2	5 3/8	7 1/2	4 3/4	141	PHS 160-2B22
23	15,75	B	2	5 3/8	7 1/2	4 3/4	157	PHS 160-2B23
24	16,39	B	2	5 3/8	7 1/2	4 3/4	171	PHS 160-2B24
25	17,03	B	2	5 3/8	7 1/2	4 3/4	187	PHS 160-2B25
26	17,67	B	2	5 3/8	7 1/2	4 3/4	201	PHS 160-2B26
35	23,42	C	1 1/2	6 3/4	9 1/2	6 5/8	306	PHS 160-2C35
45	29,80	C	1 1/2	7	10	7 1/8	431	PHS 160-2C45
60	39,36	C	1 1/2	7	10	7 1/8	564	PHS 160-2C60

Maximum bores can accommodate standard keyways. Larger bores are available where a shallow keyway is used or no keyway is required.

### Pilot Bore Type B

No. Teeth	Outside Diameter	Type	Bore		Hub		Weight lbs	Designation
			Min	Max	H	L		
	Inch		Inch	Inch	Inch	Inch		
11	10,02	B	2	3 3/4	5 1/2	5 7/8	57	PHS 200-2B11
12	10,83	B	2	4 1/2	6 1/2	6 1/4	80	PHS 200-2B12
13	11,64	B	2	5 1/4	7	6 3/8	96	PHS 200-2B13
14	12,46	B	2	5 1/2	8	6 3/8	119	PHS 200-2B14
15	13,26	B	2	5 3/4	8 1/2	6 3/8	138	PHS 200-2B15
16	14,07	B	2	5 3/4	8 1/2	6 3/8	161	PHS 200-2B16
17	14,87	B	2	5 3/4	8 1/2	6 3/8	178	PHS 200-2B17
18	15,68	B	2	5 3/4	8 1/2	6 5/8	196	PHS 200-2B18
19	16,48	B	2	5 3/4	8 1/2	6 5/8	217	PHS 200-2B19
20	17,29	B	2	5 3/4	8 1/2	6 5/8	236	PHS 200-2B20
21	18,09	B	2	5 3/4	8 1/2	6 5/8	250	PHS 200-2B21
22	18,89	B	2	5 3/4	8 1/2	6 5/8	284	PHS 200-2B22
23	19,69	B	2	5 3/4	8 1/2	6 5/8	308	PHS 200-2B23
24	20,49	B	2	5 3/4	8 1/2	6 5/8	330	PHS 200-2B24
25	21,29	B	2	5 3/4	8 1/2	6 5/8	358	PHS 200-2B25
26	22,09	B	2	5 3/4	8 1/2	6 5/8	386	PHS 200-2B26
45	37,25	C	1 1/2	7	10	8 1/2	665	PHS 200-2C45
60	49,20	C	1 1/2	7	10	9	972	PHS 200-2C60

Maximum bores can accommodate standard keyways. Larger bores are available where a shallow keyway is used or no keyway is required.



# ANSI Sprockets

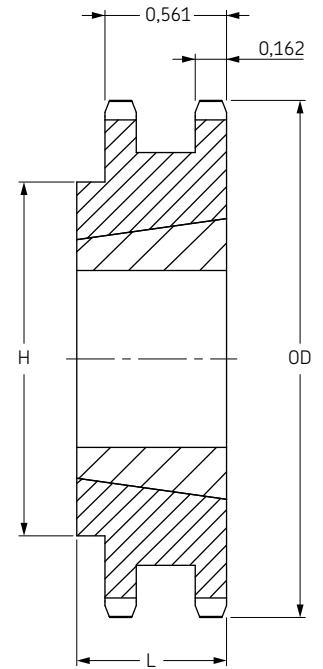
Duplex  
Taper Bushed



ANSI 35-2  $\frac{3}{8}$ " Pitch

## Taper Bushed Type B

No. Teeth	Diameter		Type	Bushing Number	Bore		Dimensions		Weight		Designation
	Outside	Pitch			Min	Max	L	H	Rim	Bushing	
	Inch	Inch			Inch	Inch	Inch	Inch	lbs	lbs	
19	2,472	2,278	B	1008	$\frac{3}{8}$	1	$\frac{7}{8}$	$1\frac{53}{64}$	0,6	0,3	PHS 35-2TB19
20	2,593	2,397	B	1008	$\frac{3}{8}$	1	$\frac{7}{8}$	$1\frac{15}{16}$	0,8	0,3	PHS 35-2TB20
21	2,713	2,516	B	1008	$\frac{3}{8}$	1	$\frac{7}{8}$	$2\frac{1}{16}$	1,4	0,3	PHS 35-2TB21
22	2,833	2,635	B	1008	$\frac{3}{8}$	1	$\frac{7}{8}$	$2\frac{3}{16}$	1,7	0,3	PHS 35-2TB22
23	3,074	2,873	B	1210	$\frac{5}{8}$	$1\frac{1}{4}$	1	$2\frac{7}{16}$	1,8	0,6	PHS 35-2TB24
26	3,314	3,111	B	1210	$\frac{5}{8}$	$1\frac{1}{4}$	1	$2\frac{5}{8}$	2,0	0,6	PHS 35-2TB26
30	3,793	3,588	B	1610	$\frac{1}{2}$	$1\frac{5}{8}$	1	$3\frac{1}{8}$	1,8	0,9	PHS 35-2TB30
32	4,032	3,826	B	1610	$\frac{1}{2}$	$1\frac{5}{8}$	1	$3\frac{1}{4}$	2,0	0,9	PHS 35-2TB32
35	4,392	4,183	B	1610	$\frac{1}{2}$	$1\frac{5}{8}$	1	$3\frac{1}{4}$	2,3	0,9	PHS 35-2TB35
40	4,990	4,780	B	1610	$\frac{1}{2}$	$1\frac{5}{8}$	1	$3\frac{1}{4}$	2,9	0,9	PHS 35-2TB40
45	5,588	5,376	B	1610	$\frac{1}{2}$	$1\frac{5}{8}$	1	$3\frac{1}{4}$	3,2	0,9	PHS 35-2TB45
48	5,946	5,734	B	1610	$\frac{1}{2}$	$1\frac{5}{8}$	1	$3\frac{5}{8}$	3,5	0,9	PHS 35-2TB48
54	6,663	6,449	B	1610	$\frac{1}{2}$	$1\frac{5}{8}$	1	$3\frac{5}{8}$	3,9	0,9	PHS 35-2TB54
60	7,380	7,165	B	1610	$\frac{1}{2}$	$1\frac{5}{8}$	1	$3\frac{5}{8}$	4,9	0,9	PHS 35-2TB60
70	8,575	8,358	B	1610	$\frac{1}{2}$	$1\frac{5}{8}$	1	$3\frac{5}{8}$	6,3	0,9	PHS 35-2TB70
80	9,770	9,552	B	1610	$\frac{1}{2}$	$1\frac{5}{8}$	1	$3\frac{5}{8}$	7,9	0,9	PHS 35-2TB80
96	11,680	11,461	B	1610	$\frac{1}{2}$	$1\frac{5}{8}$	1	$3\frac{5}{8}$	9,9	0,9	PHS 35-2TB96
112	13,590	13,371	B	1610	$\frac{1}{2}$	$1\frac{5}{8}$	1	$3\frac{5}{8}$	10,9	0,9	PHS 35-2TB112



Type B

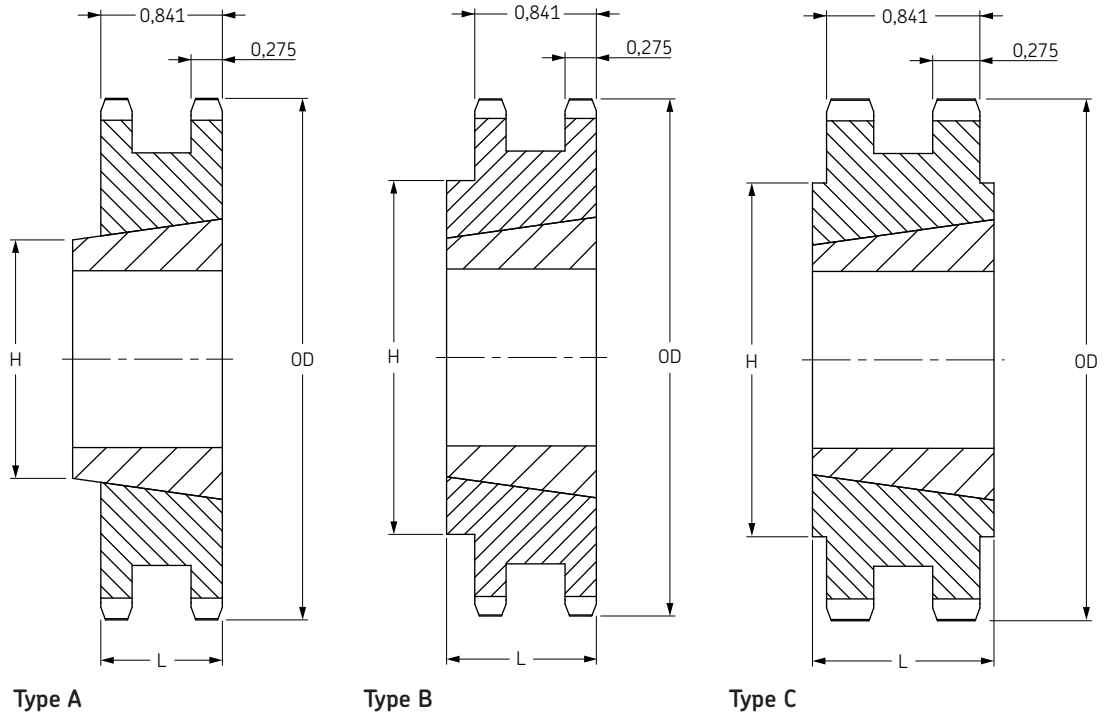


# ANSI Sprockets

Duplex  
Taper Bushed

- ▶ ..... Belts
- ▶ ..... Chains
- ▶ ..... Couplings
- ▶ ..... Bushings and Hubs
- ▶ ..... Sprockets
- ▶ ..... Pulleys
- ▶ ..... Smart tools

## ANSI 40-2 1/2" Pitch



## Taper Bushed Type A/B/C

No. Teeth	Diameter		Type	Bushing Size	Bore		Dimensions		Weight		Designation
	Outside	Pitch			Min	Max	L	H	Rim	Bushing	
15	2,652	2,405	A	1008	3/8	1	7/8	1 17/64	0,5	0,3	PHS 40-2TB15
16	2,814	2,563	A	1008	3/8	1	7/8	1 17/64	0,6	0,3	PHS 40-2TB16
17	2,975	2,721	A	1008	3/8	1	7/8	1 17/64	0,7	0,3	PHS 40-2TB17
18	3,135	2,879	B	1210	5/8	1 1/4	1	2 5/16	0,7	0,6	PHS 40-2TB18
19	3,296	3,038	B	1210	5/8	1 1/4	1	2 1/2	0,9	0,6	PHS 40-2TB19
20	3,457	3,196	B	1610	1/2	1 5/8	1	2 5/8	0,9	0,9	PHS 40-2TB20
21	3,617	3,355	B	1610	1/2	1 5/8	1	2 3/4	1,0	0,9	PHS 40-2TB21
23	3,938	3,672	B	1610	1/2	1 5/8	1	3	1,3	0,9	PHS 40-2TB23
25	4,258	3,989	B	2012	3/4	2	1 1/4	3 13/32	1,6	1,7	PHS 40-2TB25
30	5,057	4,783	B	2012	3/4	2	1 1/4	4 15/64	3,4	1,7	PHS 40-2TB30
36	6,015	5,737	B	2012	3/4	2	1 1/4	5 5/32	5,9	1,7	PHS 40-2TB36
42	6,972	6,691	C	2517	3/4	2 1/2	1 3/4	4 1/4	7,0	3,5	PHS 40-2TB42
48	7,928	7,645	C	2517	3/4	2 1/2	1 3/4	4 1/4	9,6	3,5	PHS 40-2TB48
52	8,566	8,281	C	2517	3/4	2 1/2	1 3/4	4 1/4	11,4	3,5	PHS 40-2TB52
60	9,841	9,554	C	2517	3/4	2 1/2	1 3/4	4 1/4	15,4	3,5	PHS 40-2TB60
68	11,115	10,826	C	2517	3/4	2 1/2	1 3/4	4 1/4	20,5	3,5	PHS 40-2TB68
76	12,389	12,099	C	2517	3/4	2 1/2	1 3/4	4 1/4	25,7	3,5	PHS 40-2TB76
84	13,663	13,372	C	2517	3/4	2 1/2	1 3/4	4 1/4	31,6	3,5	PHS 40-2TB84
95	15,414	15,122	C	2517	3/4	2 1/2	1 3/4	4 1/4	34,1	3,5	PHS 40-2TB95
102	16,529	16,236	C	2517	3/4	2 1/2	1 3/4	4 1/4	36,8	3,5	PHS 40-2TB102

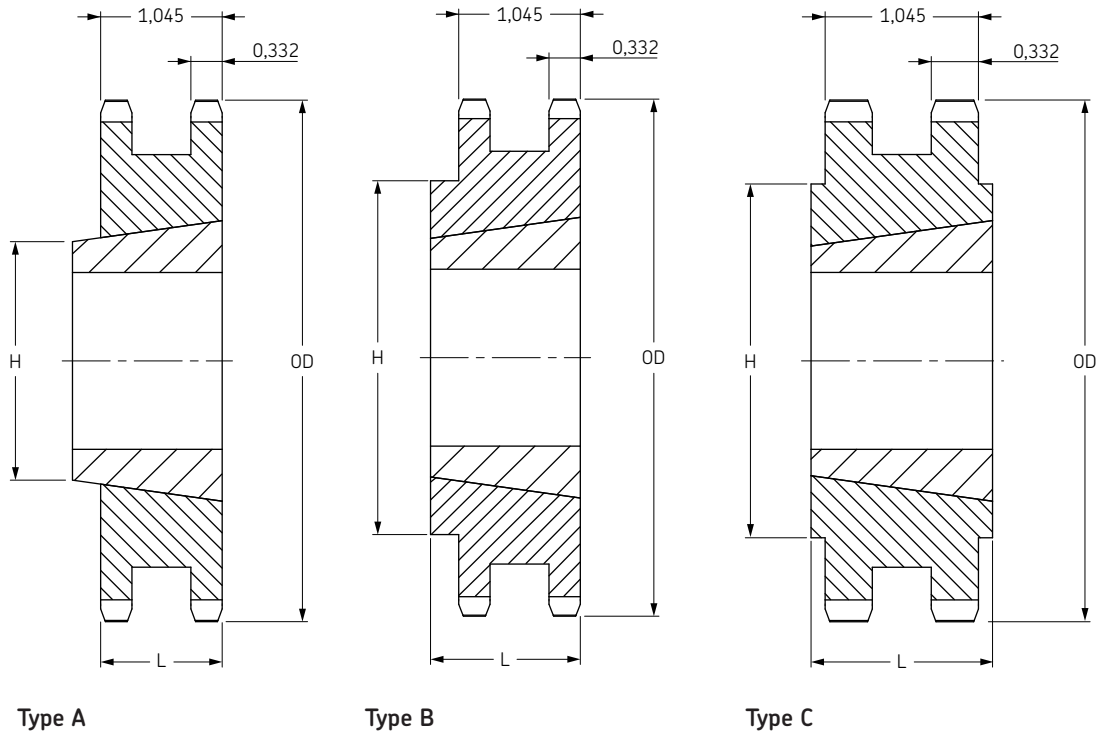


# ANSI Sprockets

Duplex  
Taper Bushed



ANSI 50-2  $\frac{5}{8}$ " Pitch



## Taper Bushed Type A/B/C

No. Teeth	Diameter		Type	Bushing Size	Bore		Dimensions		Weight		Designation
	Outside	Pitch			Min	Max	L	H	Rim	Bushing	
	Diameter	Diameter			Inch	Inch	Inch	Inch	lbs	lbs	
14	3,113	2,809	A	1008	$\frac{3}{8}$	1	$\frac{7}{8}$	-	0,8	0,3	PHS 50-2TB14
15	3,315	3,006	A	1210	$\frac{5}{8}$	1 $\frac{1}{4}$	1	-	0,9	0,6	PHS 50-2TB15
16	3,517	3,204	A	1210	$\frac{5}{8}$	1 $\frac{1}{4}$	1	-	1,1	0,6	PHS 50-2TB16
17	3,719	3,410	A	1610	$\frac{1}{2}$	1 $\frac{5}{8}$	1	-	1,1	0,6	PHS 50-2TB17
18	3,920	3,599	A	1610	$\frac{1}{2}$	1 $\frac{5}{8}$	1	-	1,3	0,9	PHS 50-2TB18
19	4,120	3,797	A	1610	$\frac{1}{2}$	1 $\frac{5}{8}$	1	-	1,6	0,9	PHS 50-2TB19
20	4,321	3,995	B	2012	$\frac{3}{4}$	2	1 $\frac{1}{4}$	3 $\frac{1}{4}$	1,5	1,7	PHS 50-2TB20
21	4,522	4,193	B	2012	$\frac{3}{4}$	2	1 $\frac{1}{4}$	3 $\frac{1}{2}$	1,9	1,7	PHS 50-2TB21
25	5,322	4,987	B	2012	$\frac{3}{4}$	2	1 $\frac{1}{4}$	4 $\frac{3}{32}$	3,8	1,7	PHS 50-2TB25
30	6,321	5,979	B	2517	$\frac{3}{4}$	2 $\frac{1}{2}$	1 $\frac{3}{4}$	5 $\frac{9}{32}$	7,5	3,5	PHS 50-2TB30
36	7,519	7,171	C	2517	$\frac{3}{4}$	2 $\frac{1}{2}$	1 $\frac{3}{4}$	4 $\frac{1}{4}$	9,4	3,5	PHS 50-2TB36
42	8,715	8,363	C	2517	$\frac{3}{4}$	2 $\frac{1}{2}$	1 $\frac{3}{4}$	4 $\frac{1}{4}$	13,4	3,5	PHS 50-2TB42
48	9,911	9,556	C	2517	$\frac{3}{4}$	2 $\frac{1}{2}$	1 $\frac{3}{4}$	4 $\frac{1}{4}$	18,6	3,5	PHS 50-2TB48
52	10,707	10,351	C	2517	$\frac{3}{4}$	2 $\frac{1}{2}$	1 $\frac{3}{4}$	4 $\frac{3}{8}$	22,2	3,5	PHS 50-2TB52
60	12,301	11,942	C	2517	$\frac{3}{4}$	2 $\frac{1}{2}$	1 $\frac{3}{4}$	4 $\frac{3}{8}$	30,3	3,5	PHS 50-2TB60
68	13,893	13,533	C	2517	$\frac{3}{4}$	2 $\frac{1}{2}$	1 $\frac{3}{4}$	4 $\frac{3}{8}$	39,4	3,5	PHS 50-2TB68
76	15,486	15,124	C	2517	$\frac{3}{4}$	2 $\frac{1}{2}$	1 $\frac{3}{4}$	4 $\frac{3}{8}$	41,2	3,5	PHS 50-2TB76
84	17,079	16,715	C	2517	$\frac{3}{4}$	2 $\frac{1}{2}$	1 $\frac{3}{4}$	4 $\frac{3}{8}$	45,3	3,5	PHS 50-2TB84
95	19,267	18,903	C	2517	$\frac{3}{4}$	2 $\frac{1}{2}$	1 $\frac{3}{4}$	4 $\frac{3}{8}$	58,8	3,5	PHS 50-2TB95
102	20,661	20,295	C	2517	$\frac{3}{4}$	2 $\frac{1}{2}$	1 $\frac{3}{4}$	4 $\frac{3}{8}$	67,1	3,5	PHS 50-2TB102



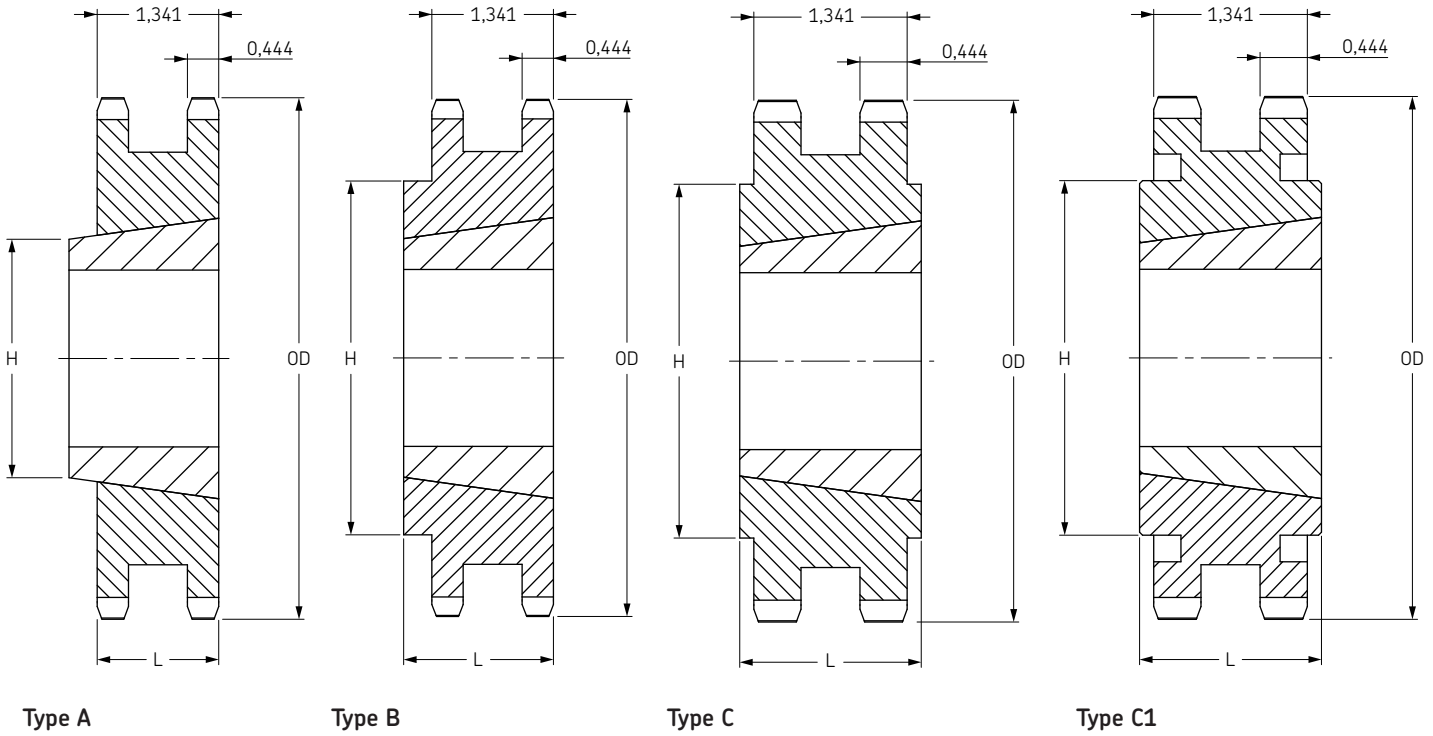


# ANSI Sprockets

Duplex  
Taper Bushed

- ▶ ..... Belts
- ▶ ..... Chains
- ▶ ..... Couplings
- ▶ ..... Bushings and Hubs
- ▶ ..... Sprockets
- ▶ ..... Pulleys
- ▶ ..... Smart tools

## ANSI 60-2 3/4" Pitch



## Taper Bushed Type A/B/C/C1

No. Teeth	Diameter		Type	Bushing Size	Bore		Dimensions		Weight		Designation
	Outside	Pitch			Min	Max	L	H	Rim	Bushing	
13	3,493	3,134	B	1215	5/8	1 1/4	1 1/2	2 1/4	1,2	1,6	PHS 60-2TB13
14	3,736	3,371	B	1215	5/8	1 1/4	1 1/2	2 1/2	1,6	1,7	PHS 60-2TB14
15	3,979	3,607	B	1615	1/2	1 5/8	1 1/2	2 13/16	1,3	1,8	PHS 60-2TB15
16	4,221	3,844	B	1615	1/2	1 5/8	1 1/2	3	2,2	2,3	PHS 60-2TB16
17	4,462	4,082	B	1615	1/2	1 5/8	1 1/2	3 1/4	2,5	2,8	PHS 60-2TB17
18	4,704	4,319	A	2012	3/4	2	1 1/4	-	3,0	2,4	PHS 60-2TB18
19	4,945	4,557	A	2012	3/4	2	1 1/4	-	3,5	2,9	PHS 60-2TB19
20	5,185	4,794	B	2517	3/4	1 1/2	1 3/4	3 61/64	4,0	2,9	PHS 60-2TB20
21	5,426	5,032	B	2517	3/4	1 1/2	1 3/4	4 3/16	5,0	3,8	PHS 60-2TB21
25	6,387	4,984	B	2517	3/4	1 1/2	1 3/4	5 5/32	7,5	7,4	PHS 60-2TB25
30	7,586	7,175	B	2517	3/4	1 1/2	1 3/4	6 11/32	13,5	13,3	PHS 60-2TB30
36	9,022	8,605	C	2517	3/4	1 1/2	1 3/4	4 1/4	17,5	17,4	PHS 60-2TB36
42	10,458	10,036	C	2517	3/4	1 1/2	1 3/4	4 1/4	25,5	25,0	PHS 60-2TB42
45	11,176	10,752	C	2517	3/4	1 1/2	1 3/4	4 1/4	29,5	29,3	PHS 60-2TB45
52	12,849	12,422	C	2517	3/4	1 1/2	1 3/4	4 1/4	41,0	40,3	PHS 60-2TB52
60	14,761	14,330	C	2517	3/4	1 1/2	1 3/4	4 1/4	32,5	33,5	PHS 60-2TB60
68	16,672	16,240	C	2517	3/4	1 1/2	1 3/4	4 1/2	36,5	43,2	PHS 60-2TB68
76	18,583	18,149	C	3020	1 1/4	3	2	5 1/4	42,5	47,8	PHS 60-2TB76
95	23,121	22,684	C	3020	1 1/4	3	2	5 1/4	48,5	69,8	PHS 60-2TB95

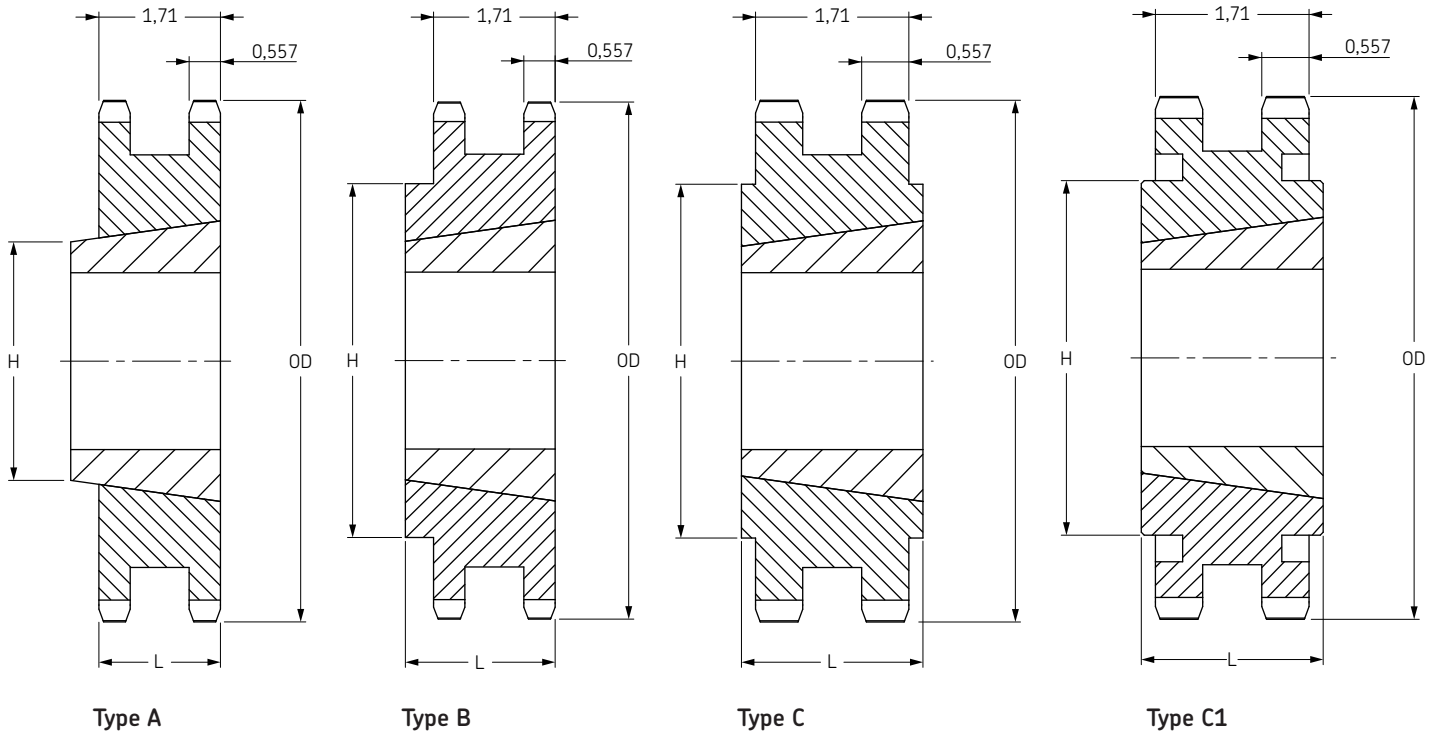


# ANSI Sprockets

Duplex  
Taper Bushed



## ANSI 80-2 1" Pitch



## Taper Bushed Type A/B/C/C1

No. Teeth	Diameter		Type	Bushing Size	Bore		Dimensions		Weight		Designation
	Outside	Pitch			Min	Max	L	H	Rim	Bushing	
	Inch	Inch			Inch	Inch	Inch	Inch	lbs	lbs	
13	4,657	4,179	A	1615	1/2	1 5/8	1 1/2	-	3,4	1,2	PHS 80-2TB13
14	4,982	4,494	A	2012	3/4	2	1 1/4	-	3,5	1,7	PHS 80-2TB14
15	5,305	4,810	A	2012	3/4	2	1 1/4	-	4,3	1,7	PHS 80-2TB15
16	5,627	5,126	A	2517	3/4	2 1/2	1 3/4	3 1/8	3,8	3,5	PHS 80-2TB16
17	5,950	5,442	A	2517	3/4	2 1/2	1 3/4	3 1/8	5,1	3,5	PHS 80-2TB17
18	6,271	5,759	A	2517	3/4	2 1/2	1 3/4	3 1/8	6,4	3,5	PHS 80-2TB18
19	6,593	6,076	B	3020	1 1/4	3	2	5	5,6	6,5	PHS 80-2TB19
20	6,914	6,392	B	3020	1 1/4	3	2	5 1/4	7,1	6,5	PHS 80-2TB20
21	7,235	6,710	B	3020	1 1/4	3	2	5 9/16	8,9	6,5	PHS 80-2TB21
25	8,516	7,979	B	3020	1 1/4	3	2	6 7/8	16,5	6,5	PHS 80-2TB25
30	10,114	9,567	C	3020	1 1/4	3	2	5 1/4	25,1	6,5	PHS 80-2TB30
36	12,030	11,474	C	3020	1 1/4	3	2	5 1/4	39,4	6,5	PHS 80-2TB36
42	13,944	13,392	C	3020	1 1/4	3	2	5 1/4	36,4	6,5	PHS 80-2TB42
45	14,901	14,336	C	3020	1 1/4	3	2	5 1/4	41,4	6,5	PHS 80-2TB45
52	17,132	16,562	C	3020	1 1/4	3	2	5 1/4	56,2	6,5	PHS 80-2TB52
60	19,681	19,107	C	3020	1 1/4	3	2	5 1/4	66,3	6,5	PHS 80-2TB60
68	22,230	21,653	C	3020	1 1/4	3	2	5 1/4	72,0	6,5	PHS 80-2TB68
76	24,778	24,198	C	3020	1 1/4	3	2	5 1/4	89,1	6,5	PHS 80-2TB76
95	30,828	30,245	C	3020	1 1/4	3	2	5 1/4	112,0	6,5	PHS 80-2TB95

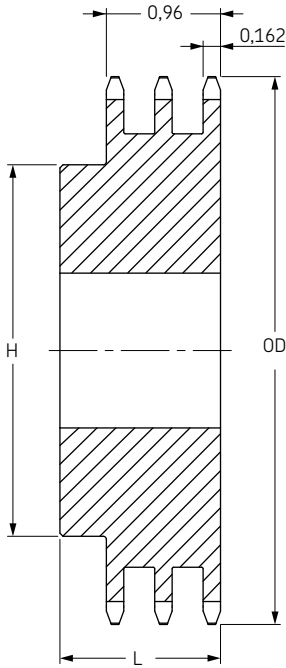


# ANSI Sprockets

Triplex  
Pilot Bore

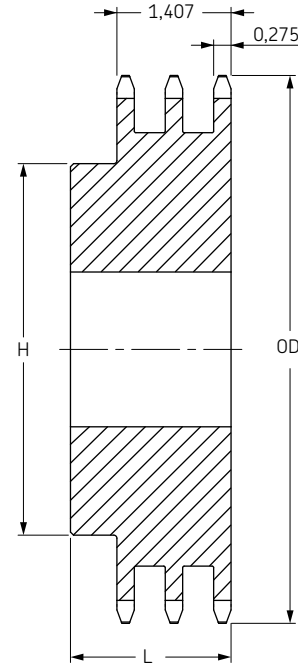
- ▶ ..... Belts
- ▶ ..... Chains
- ▶ ..... Couplings
- ▶ ..... Bushings and Hubs
- ▶ ..... Sprockets
- ▶ ..... Pulleys
- ▶ ..... Smart tools

## ANSI 35-3 3/8" Pitch



Type B

## ANSI 40-3 1/2" Pitch



Type B

### Pilot Bore Type B

No. Teeth	Outside Diameter	Type	Bore		Hub		Weight lbs	Designation
			Min	Max	H	L		
	Inch		Inch	Inch	Inch	Inch		
13	1,75	B	1/2	11/16	1 7/64	1 3/4	0,50	PHS 35-3B13
14	1,87	B	1/2	7/8	1 1/4	1 3/4	0,62	PHS 35-3B14
15	1,99	B	1/2	15/16	1 13/32	1 3/4	0,78	PHS 35-3B15
16	2,11	B	1/2	15/16	1 15/32	1 3/4	0,82	PHS 35-3B16
17	2,23	B	1/2	11/16	1 19/32	1 3/4	1,04	PHS 35-3B17
18	2,35	B	1/2	13/16	1 23/32	1 3/4	1,22	PHS 35-3B18
19	2,47	B	1/2	15/16	1 7/8	1 3/4	1,40	PHS 35-3B19
20	2,59	B	3/4	15/16	1 15/16	1 7/8	1,50	PHS 35-3B20
21	2,71	B	3/4	1 3/8	2 1/16	1 7/8	1,72	PHS 35-3B21
22	2,83	B	3/4	1 7/16	2 3/16	1 7/8	1,96	PHS 35-3B22
23	2,95	B	3/4	1 1/2	2 1/4	1 7/8	2,12	PHS 35-3B23
24	3,07	B	3/4	1 1/2	2 1/4	1 7/8	2,26	PHS 35-3B24
25	3,19	B	3/4	1 1/2	2 1/4	1 7/8	2,42	PHS 35-3B25
26	3,31	B	3/4	1 1/2	2 1/2	1 7/8	2,78	PHS 35-3B26
30	3,79	B	3/4	1 3/4	2 1/2	1 7/8	3,42	PHS 35-3B30
36	4,51	B	3/4	1 3/4	2 1/2	1 7/8	4,52	PHS 35-3B36
42	5,23	B	3/4	1 3/4	2 1/2	1 7/8	5,88	PHS 35-3B42
48	5,95	B	3/4	1 3/4	2 1/2	1 7/8	7,42	PHS 35-3B48
52	6,43	B	3/4	1 3/4	2 1/2	1 7/8	8,52	PHS 35-3B52
60	7,38	B	3/4	1 3/4	2 1/2	1 7/8	11,22	PHS 35-3B60
68	8,34	B	3/4	2 3/8	3 1/2	1 7/8	15,38	PHS 35-3B68
72	8,81	B	3/4	2 3/8	3 1/2	1 7/8	17,34	PHS 35-3B72
76	9,29	B	3/4	2 3/8	3 1/2	1 7/8	18,90	PHS 35-3B76
84	10,25	B	3/4	2 3/8	3 1/2	1 7/8	22,82	PHS 35-3B84
95	11,56	B	1	2 1/2	3 3/4	2 1/8	29,32	PHS 35-3B95
96	11,68	B	1	2 1/2	3 3/4	2 1/8	30,06	PHS 35-3B96
102	12,40	B	1	2 1/2	3 3/4	2 1/8	33,36	PHS 35-3B102

Maximum bores can accommodate standard keyways. Larger bores are available where a shallow keyway is used or no keyway is required.

### Pilot Bore Type B

No. Teeth	Outside Diameter	Type	Bore		Hub		Weight lbs	Designation
			Min	Max	H	L		
	Inch		Inch	Inch	Inch	Inch		
11	2,00	B	1/2	3/4	1 7/16	2 1/8	0,80	PHS 40-3B11
12	2,17	B	1/2	15/16	1 9/16	2 1/8	1,10	PHS 40-3B12
13	2,33	B	1/2	1	1 1/2	2 1/8	1,24	PHS 40-3B13
14	2,49	B	1/2	1 1/8	1 11/16	2 1/8	1,50	PHS 40-3B14
15	2,65	B	1/2	1 1/4	1 13/16	2 1/8	1,76	PHS 40-3B15
16	2,81	B	5/8	1 3/8	2	2 1/8	2,04	PHS 40-3B16
17	2,98	B	5/8	1 7/16	2 1/8	2 1/8	2,34	PHS 40-3B17
18	3,14	B	5/8	1 1/2	2 5/16	2 1/8	2,72	PHS 40-3B18
19	3,30	B	5/8	1 3/4	2 1/2	2 1/8	3,10	PHS 40-3B19
20	3,46	B	5/8	1 7/8	2 5/8	2 1/4	3,72	PHS 40-3B20
21	3,62	B	5/8	1 7/8	2 3/4	2 1/4	4,06	PHS 40-3B21
22	3,78	B	5/8	1 7/8	2 7/8	2 1/4	4,52	PHS 40-3B22
23	3,94	B	5/8	2	3	2 1/4	4,96	PHS 40-3B23
24	4,10	B	5/8	2 1/4	3 1/4	2 1/4	5,64	PHS 40-3B24
25	4,26	B	5/8	2 1/4	3 1/4	2 1/4	6,02	PHS 40-3B25
26	4,42	B	5/8	2 1/4	3 1/4	2 1/4	6,36	PHS 40-3B26
30	5,06	B	7/8	2 1/4	3 1/4	2 1/4	7,84	PHS 40-3B30
35	5,86	B	7/8	2 1/4	3 1/4	2 1/4	10,30	PHS 40-3B35
36	6,02	B	15/16	2 1/2	3 3/4	2 1/4	11,72	PHS 40-3B36
42	6,97	B	15/16	2 1/2	3 3/4	2 3/8	15,36	PHS 40-3B42
48	7,93	B	15/16	2 1/2	3 3/4	2 3/8	19,36	PHS 40-3B48
52	8,57	B	15/16	2 1/2	3 3/4	2 3/8	22,44	PHS 40-3B52
60	9,84	B	15/16	2 1/2	3 3/4	2 3/8	30,02	PHS 40-3B60
68	11,12	B	1 3/16	2 3/4	4	2 5/8	38,44	PHS 40-3B68
72	11,75	B	1 3/16	2 3/4	4	2 5/8	42,46	PHS 40-3B72
76	12,39	B	1 3/16	2 3/4	4	2 5/8	46,90	PHS 40-3B76
84	13,66	B	1 3/16	2 3/4	4 1/4	2 3/4	57,30	PHS 40-3B84
95	15,41	B	1 3/16	2 3/4	4 1/4	2 3/4	62,18	PHS 40-3B95
102	16,53	B	1 3/16	2 3/4	4 1/4	2 3/4	68,40	PHS 40-3B102

Maximum bores can accommodate standard keyways. Larger bores are available where a shallow keyway is used or no keyway is required.

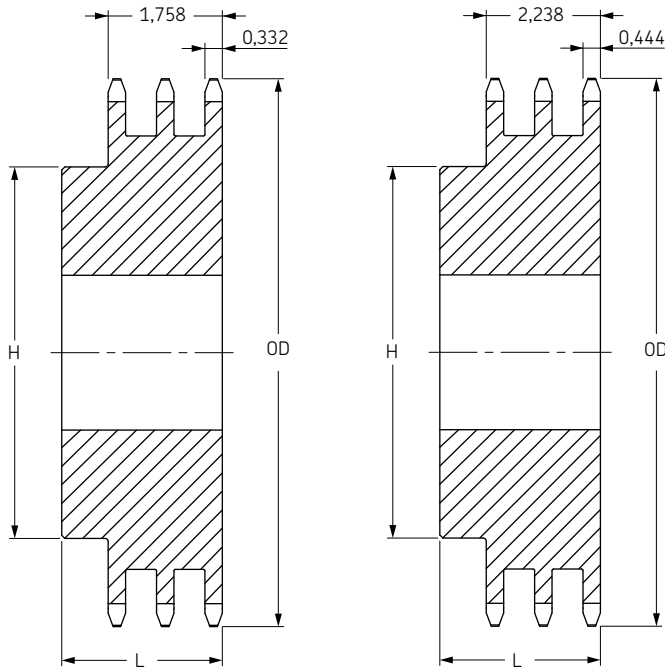


# ANSI Sprockets

Triplex  
Pilot Bore



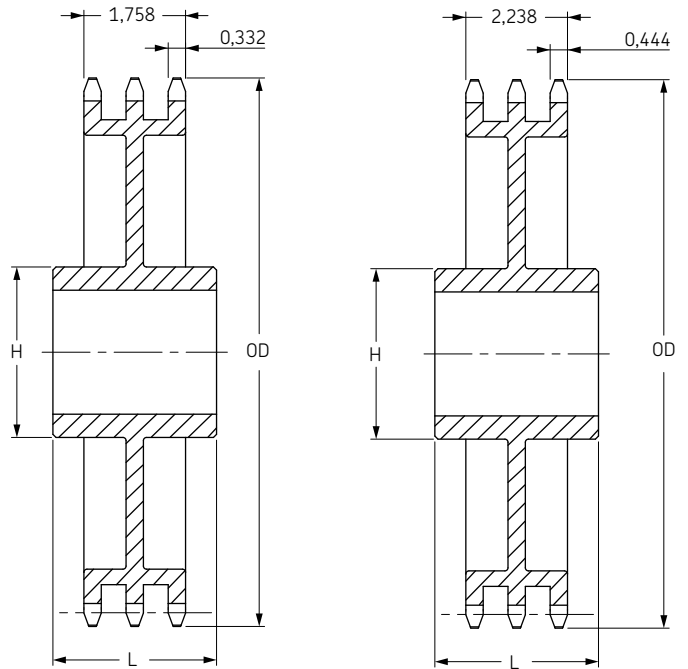
## ANSI 50-3 5/8" Pitch



Type B

Type B

## ANSI 60-3 3/4" Pitch



Type C

Type C

## Pilot Bore Type B/C

No. Teeth	Outside Diameter	Type	Bore		Hub		Weight lbs	Designation
			Min	Max	H	L		
	Inch		Inch	Inch	Inch	Inch		
11	2,50	B	5/8	15/16	1 15/32	2 1/2	1,42	PHS 50-3B11
12	2,71	B	5/8	1 1/8	1 11/16	2 1/2	1,84	PHS 50-3B12
13	2,91	B	5/8	1 5/16	1 7/8	2 1/2	2,28	PHS 50-3B13
14	3,11	B	5/8	1 3/8	2 1/16	2 1/2	2,72	PHS 50-3B14
15	3,32	B	3/4	1 1/2	2 5/16	2 1/2	3,24	PHS 50-3B15
16	3,52	B	3/4	1 3/4	2 1/2	2 1/2	3,76	PHS 50-3B16
17	3,72	B	3/4	1 7/8	2 11/16	2 1/2	4,38	PHS 50-3B17
18	3,92	B	3/4	1 15/16	2 15/16	2 1/2	5,10	PHS 50-3B18
19	4,12	B	1	2 1/8	3 1/8	2 1/2	5,60	PHS 50-3B19
20	4,32	B	1	2 1/4	3 1/4	2 5/8	6,42	PHS 50-3B20
21	4,52	B	1	2 3/8	3 1/2	2 5/8	7,42	PHS 50-3B21
22	4,72	B	1	2 3/8	3 9/16	2 5/8	7,92	PHS 50-3B22
23	4,92	B	1	2 1/2	3 5/8	2 5/8	8,80	PHS 50-3B23
24	5,12	B	1	2 1/2	3 5/8	2 5/8	9,42	PHS 50-3B24
25	5,32	B	1	2 1/2	3 5/8	2 5/8	10,16	PHS 50-3B25
26	5,52	B	1	2 1/2	3 3/4	2 5/8	11,02	PHS 50-3B26
30	6,32	B	1	2 1/2	3 3/4	2 5/8	14,24	PHS 50-3B30
35	7,32	B	1	2 1/2	3 3/4	2 5/8	18,96	PHS 50-3B35
36	7,52	B	1 3/16	2 3/4	4	2 3/4	20,60	PHS 50-3B36
42	8,72	B	1 3/16	2 3/4	4	2 3/4	27,46	PHS 50-3B42
48	9,91	B	1 3/16	2 3/4	4	3 1/8	36,64	PHS 50-3B48
52	10,71	B	1 3/16	2 3/4	4	3 1/8	42,54	PHS 50-3B52
60	12,30	B	1 5/16	3	4 1/2	3 1/8	56,84	PHS 50-3B60
68	13,89	B	1 5/16	3	4 1/2	3 1/8	73,21	PHS 50-3B68
72	14,69	C	1 5/16	3	4 3/4	3 1/2	54,40	PHS 50-3C72
76	15,49	C	1 5/16	3	4 3/4	3 1/2	51,20	PHS 50-3C76
84	17,08	C	1 5/16	3	4 3/4	3 1/2	65,32	PHS 50-3C84
95	19,27	C	1 5/16	3	4 3/4	3 3/4	74,42	PHS 50-3C95
102	20,66	C	1 5/16	3	4 3/4	3 3/4	79,94	PHS 50-3C102

Maximum bores can accommodate standard keyways. Larger bores are available where a shallow keyway is used or no keyway is required.

## Pilot Bore Type B/C

No. Teeth	Outside Diameter	Type	Bore		Hub		Weight lbs	Designation
			Min	Max	H	L		
	Inch		Inch	Inch	Inch	Inch		
11	3,00	B	1	1 1/4	1 13/16	3	2,5	PHS 60-3B11
12	3,25	B	1	1 7/16	2 1/8	3	3,3	PHS 60-3B12
13	3,49	B	1	1 1/2	2 1/4	3	3,9	PHS 60-3B13
14	3,74	B	1	1 3/4	2 1/2	3	4,5	PHS 60-3B14
15	3,98	B	1	1 7/8	2 13/16	3	5,4	PHS 60-3B15
16	4,22	B	1	2	3	3	6,5	PHS 60-3B16
17	4,46	B	1	2 1/4	3 1/4	3	7,7	PHS 60-3B17
18	4,70	B	1	2 3/8	3 1/2	3	8,5	PHS 60-3B18
19	4,95	B	1	2 1/2	3 11/16	3	10,0	PHS 60-3B19
20	5,19	B	1	2 1/2	3 3/4	3	11,2	PHS 60-3B20
21	5,43	B	1	2 3/4	4 1/8	3	12,5	PHS 60-3B21
22	5,67	B	1	2 3/4	4 1/4	3	13,2	PHS 60-3B22
23	5,91	B	1	2 3/4	4 1/4	3	14,6	PHS 60-3B23
24	6,15	B	1	2 3/4	4 1/4	3	15,8	PHS 60-3B24
25	6,39	B	1	2 3/4	4 1/4	3	17,0	PHS 60-3B25
26	6,63	B	1	2 3/4	4 1/4	3	18,6	PHS 60-3B26
30	7,59	B	1	2 3/4	4 1/4	3	23,2	PHS 60-3B30
35	8,78	B	1 1/4	3	4 1/2	3 1/4	34,5	PHS 60-3B35
36	9,02	B	1 1/4	3	4 1/2	3 1/4	37,0	PHS 60-3B36
42	10,46	B	1 1/4	3 1/4	4 3/4	3 5/8	49,0	PHS 60-3B42
45	11,18	B	1 1/4	3 1/4	4 3/4	3 5/8	57,0	PHS 60-3B45
52	12,85	C	1 1/4	3 1/4	4 3/4	3 1/2	73,0	PHS 60-3C52
60	14,76	C	1 1/4	3 1/4	4 3/4	3 1/2	63,0	PHS 60-3C60
68	16,67	C	1 1/4	3 1/4	5	3 1/2	73,0	PHS 60-3C68
72	17,63	C	1 1/4	3 1/4	5	3 1/2	85,0	PHS 60-3C72
76	18,58	C	1 1/2	3 3/4	5 1/2	3 1/2	82,0	PHS 60-3C76
95	23,12	C	1 1/2	3 3/4	5 1/2	4	105,0	PHS 60-3C95

Maximum bores can accommodate standard keyways. Larger bores are available where a shallow keyway is used or no keyway is required.

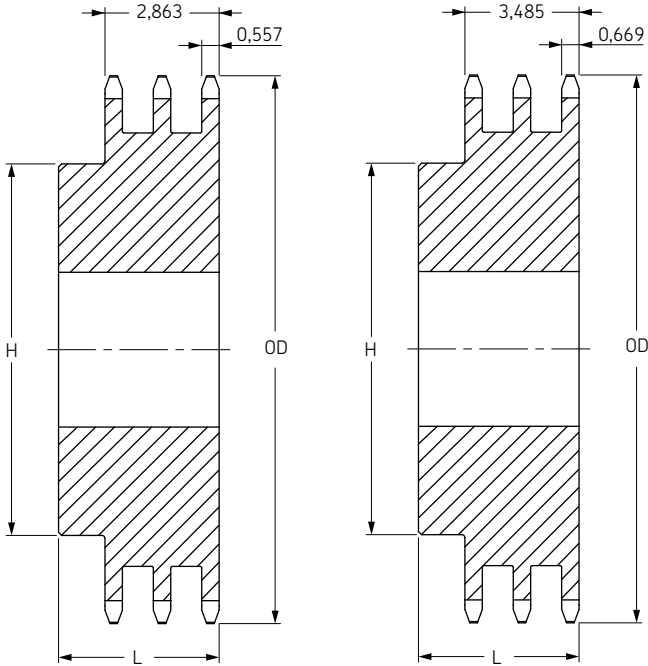


# ANSI Sprockets

Triplex  
Pilot Bore

- ▶ ..... Belts
- ▶ ..... Chains
- ▶ ..... Couplings
- ▶ ..... Bushings and Hubs
- ▶ ..... Sprockets
- ▶ ..... Pulleys
- ▶ ..... Smart tools

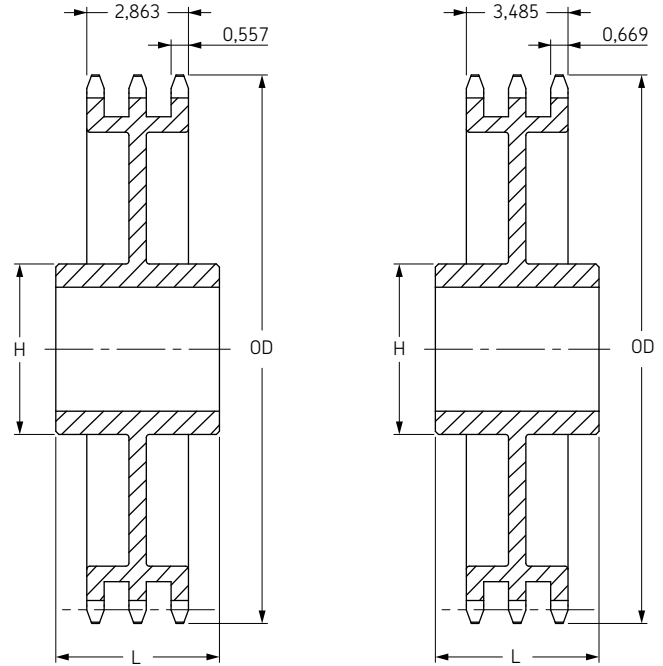
## ANSI 80-3 1" Pitch



Type B

Type B

## ANSI 100-3 1/4" Pitch



Type C

Type C

### Pilot Bore Type B/C

No. Teeth	Outside Diameter	Type	Bore		Hub		Weight lbs	Designation
			Min	Max	H	L		
	Inch		Inch	Inch	Inch	Inch		
11	4,01	B	1	1 3/4	2 1/2	3 5/8	5,9	PHS 80-30B11
12	4,33	B	1	1 7/8	2 27/32	3 5/8	7,5	PHS 80-30B12
13	4,66	B	1	2 1/4	3 5/32	3 5/8	9,2	PHS 80-30B13
14	4,98	B	1	2 3/8	3 15/32	3 5/8	11,0	PHS 80-30B14
15	5,30	B	1	2 1/2	3 51/64	3 5/8	13,1	PHS 80-30B15
16	5,63	B	1	2 3/4	4	3 7/8	15,8	PHS 80-30B16
17	5,95	B	1	3	4 27/64	3 7/8	18,6	PHS 80-30B17
18	6,27	B	1	3 1/4	4 47/64	3 7/8	21,2	PHS 80-30B18
19	6,59	B	1	3 5/16	5	3 7/8	23,7	PHS 80-30B19
20	6,91	B	1	3 5/16	5	3 7/8	26,0	PHS 80-30B20
21	7,24	B	1	3 5/16	5	3 7/8	28,4	PHS 80-30B21
22	7,56	B	1	3 5/16	5	3 7/8	31,0	PHS 80-30B22
23	7,88	B	1	3 5/16	5	3 7/8	33,6	PHS 80-30B23
24	8,20	B	1	3 1/2	5 1/4	3 7/8	37,1	PHS 80-30B24
25	8,52	B	1	3 1/2	5 1/4	3 7/8	40,1	PHS 80-30B25
26	8,84	B	1	3 1/2	5 1/4	3 7/8	42,9	PHS 80-30B26
30	10,11	B	1 1/4	3 3/4	5 3/4	4 1/4	54,5	PHS 80-30B30
35	11,71	B	1 1/4	3 3/4	5 3/4	4 1/4	79,5	PHS 80-30B35
36	12,03	B	1 1/4	3 3/4	5 3/4	4 1/4	83,9	PHS 80-30B36
42	13,94	C	1 1/4	3 13/16	6	4 1/2	84,9	PHS 80-30C42
45	14,90	C	1 1/4	3 13/16	6	4 1/2	92,4	PHS 80-30C45
52	17,13	C	1 1/2	3 13/16	6	4 1/2	107,0	PHS 80-30C52
60	19,68	C	1 1/2	4 1/4	6 1/4	4 3/4	128,0	PHS 80-30C60
68	22,23	C	1 1/2	4 1/4	6 1/4	4 3/4	140,0	PHS 80-30C68
76	24,78	C	1 1/2	4 1/4	6 1/4	4 3/4	165,0	PHS 80-30C76
95	30,83	C	1 1/2	4 1/2	6 3/4	5	240,0	PHS 80-30C95

Maximum bores can accommodate standard keyways. Larger bores are available where a shallow keyway is used or no keyway is required.

### Pilot Bore Type B/C

No. Teeth	Outside Diameter	Type	Bore		Hub		Weight lbs	Designation
			Min	Max	H	L		
	Inch		Inch	Inch	Inch	Inch		
11	5,01	B	1	2 1/8	3 3/8	4 1/4	11,7	PHS 100-3B11
12	5,42	B	1 1/8	2 1/4	3 3/8	4 1/4	13,7	PHS 100-3B12
13	5,82	B	1 1/8	2 1/2	3 13/16	4 1/4	16,9	PHS 100-3B13
14	6,23	B	1 1/8	2 3/4	4 3/16	4 1/4	20,2	PHS 100-3B14
15	6,63	B	1 1/4	3 1/8	4 5/8	4 1/2	25,0	PHS 100-3B15
16	7,03	B	1 1/4	3 5/16	5	4 1/2	29,3	PHS 100-3B16
17	7,44	B	1 1/4	3 1/2	5 1/4	4 1/2	33,8	PHS 100-3B17
18	7,84	B	1 1/4	3 1/2	5 1/4	4 3/4	38,6	PHS 100-3B18
19	8,24	B	1 1/4	3 3/4	5 1/2	4 3/4	43,3	PHS 100-3B19
20	8,64	B	1 1/4	3 3/4	5 1/2	4 3/4	47,9	PHS 100-3B20
21	9,04	B	1 1/4	3 3/4	5 1/2	4 3/4	52,3	PHS 100-3B21
22	9,44	B	1 1/4	3 3/4	5 1/2	4 3/4	57,5	PHS 100-3B22
23	9,84	B	1 1/4	3 3/4	5 1/2	4 3/4	62,5	PHS 100-3B23
24	10,25	B	1 1/4	3 3/4	5 3/4	4 3/4	69,0	PHS 100-3B24
25	10,65	B	1 1/4	3 3/4	5 3/4	4 3/4	73,0	PHS 100-3B25
26	11,05	B	1 1/2	3 13/16	5 3/4	4 3/4	79,0	PHS 100-3B26
30	12,64	B	1 1/2	3 13/16	5 3/4	4 3/4	103,0	PHS 100-3B30
35	14,64	C	1 1/2	4	6	5	108,0	PHS 100-3C35
45	18,63	C	1 1/2	4	6	5	143,0	PHS 100-3C45
60	24,60	C	1 1/2	5 3/8	7 1/2	5	217,0	PHS 100-3C60
70	28,58	C	1 1/2	5 3/8	7 1/2	5	262,0	PHS 100-3C70
80	32,57	C	1 1/2	5 3/8	7 1/2	5	313,0	PHS 100-3C80

Maximum bores can accommodate standard keyways. Larger bores are available where a shallow keyway is used or no keyway is required.